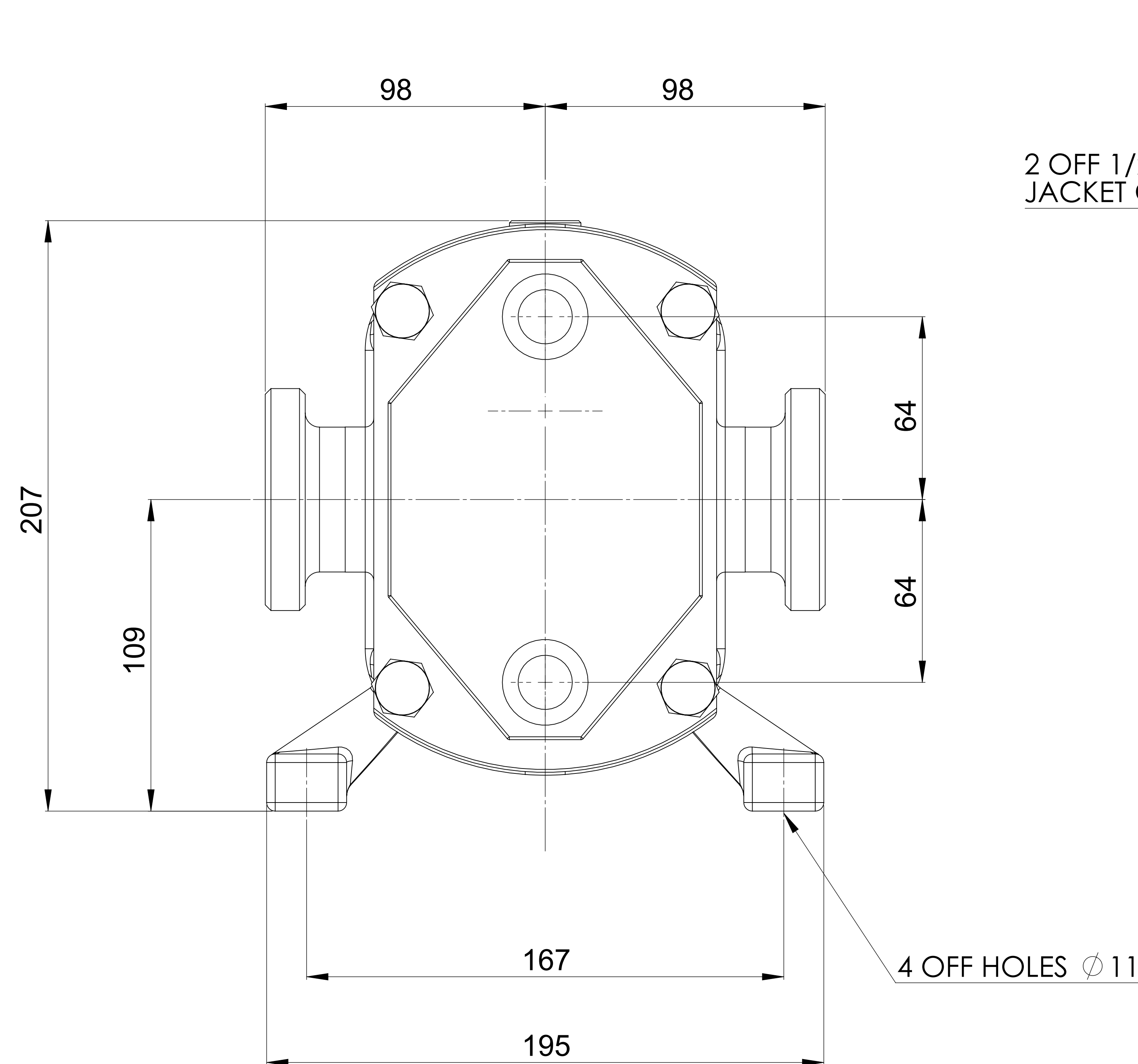
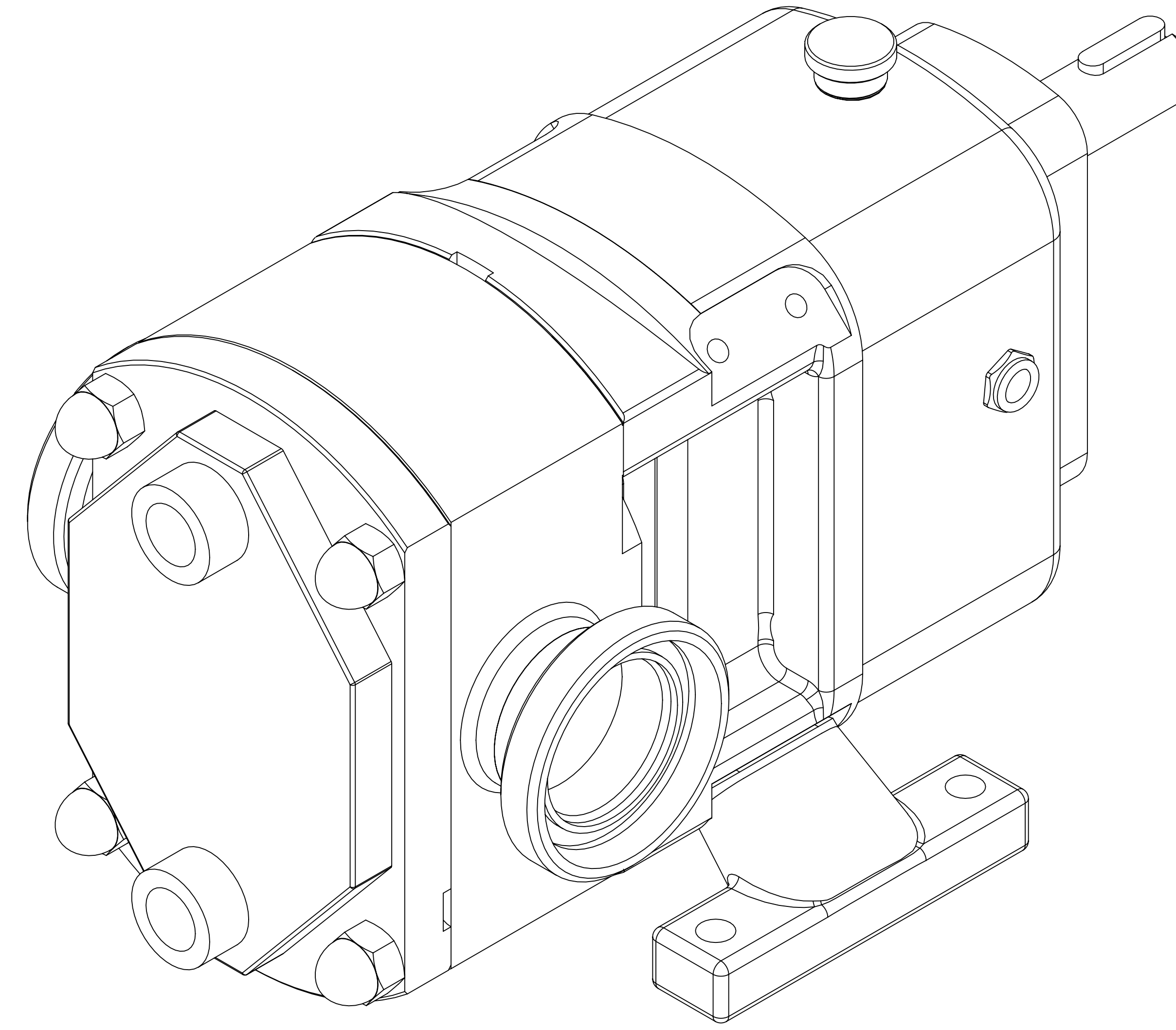


GENERAL ARRANGEMENT DETAILS

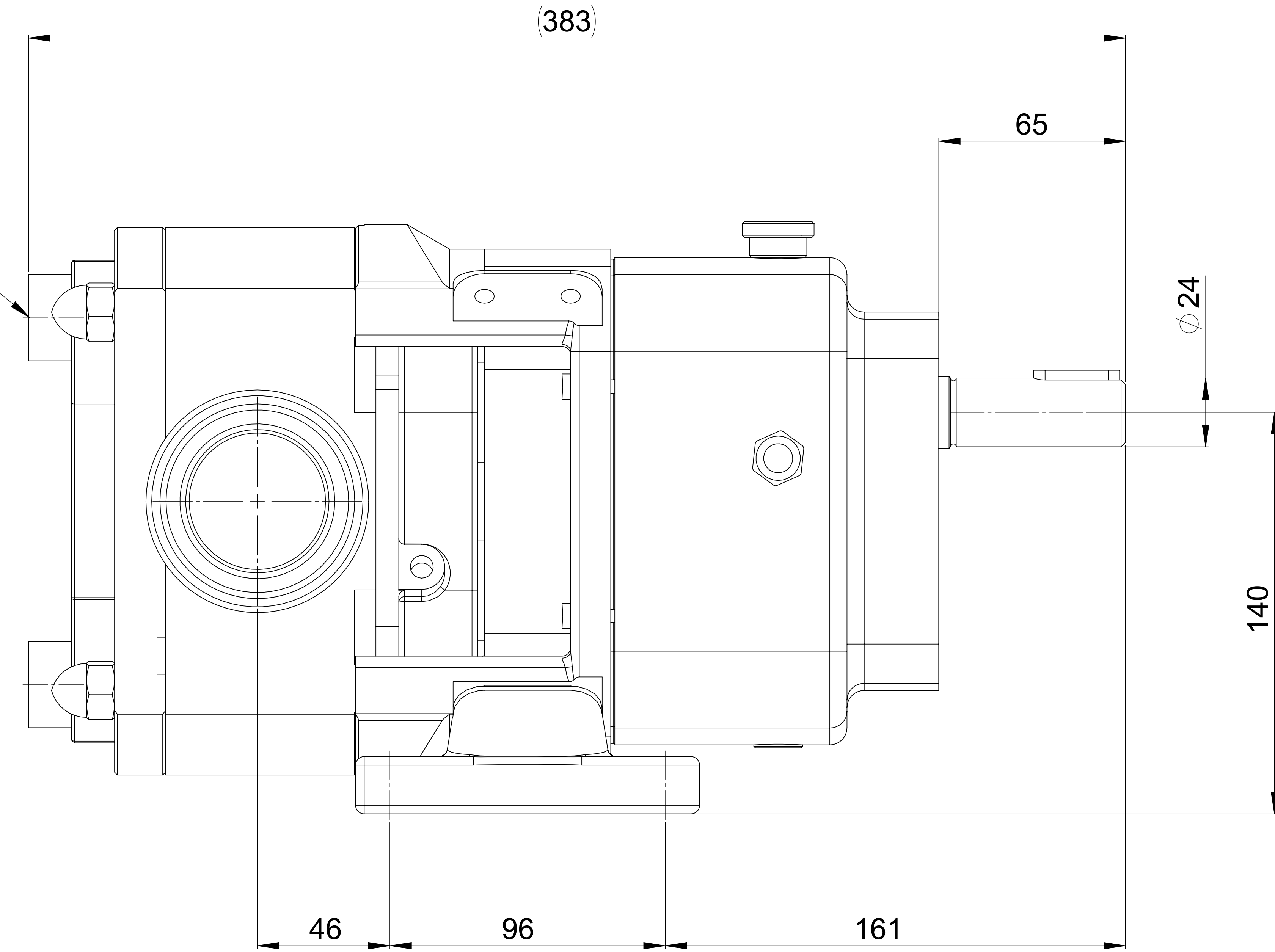
PUMP INFORMATION

PUMP MODEL	CP20/0031/07
INLET CONNECTION	2" DIN 11851
OUTLET CONNECTION	2" Din 11851
SPECIAL FEATURES	FRONT COVER JACKET

THIS IS NOT A CERTIFIED DRAWING, USE FOR GENERAL INSTALLATION ONLY



2 OFF 1/2" BSPP JACKET CONNECTIONS



ISSUE	A	24/02/2017
AMENDMENT	ISSUE	DATE

 HIGHFIELD INDUSTRIAL ESTATE, EASTBOURNE, EAST SUSSEX, BN23 6PT TEL: (+44) 1323 509211	COPYRIGHT: THIS DRAWING IS THE SOLE PROPERTY OF WRIGHT FLOW TECHNOLOGIES LTD. IT MUST NOT BE COPIED OR USED IN PART OR FULL WITHOUT PRIOR WRITTEN CONSENT.	UNLESS OTHERWISE STATED: ALL DIMENSIONS ± 2.50 ANGLES ±2.0° DO NOT SCALE THIS DRAWING REMOVE BURRS AND SHARP EDGES DIMENSIONS IN MILLIMETRES IF IN DOUBT ASK	PROJECTION	DRAWN	CHECKED	TITLE:	
				MR	IPJB	GENERAL ARRANGEMENT	
						DRG. NO:	GA3573