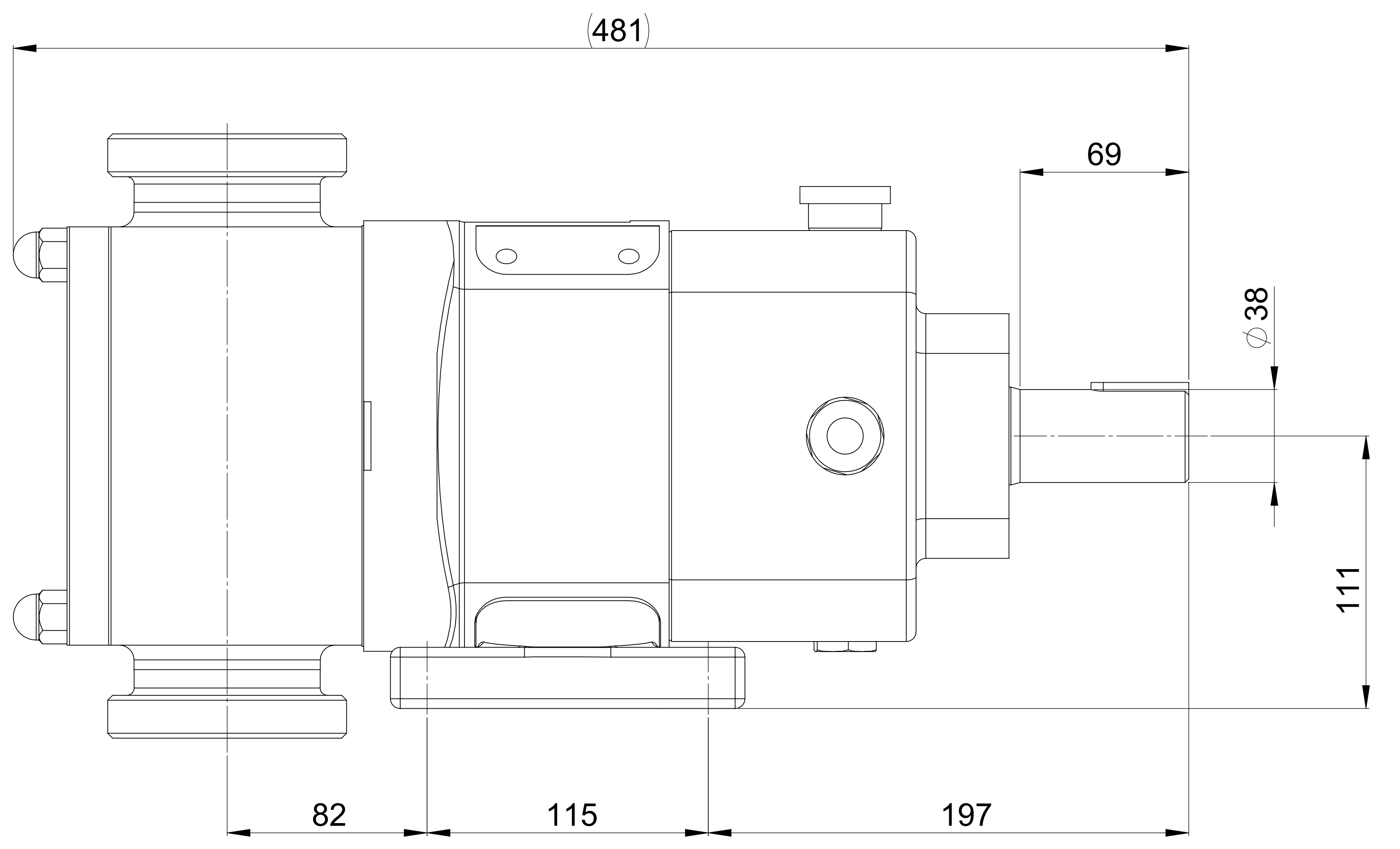
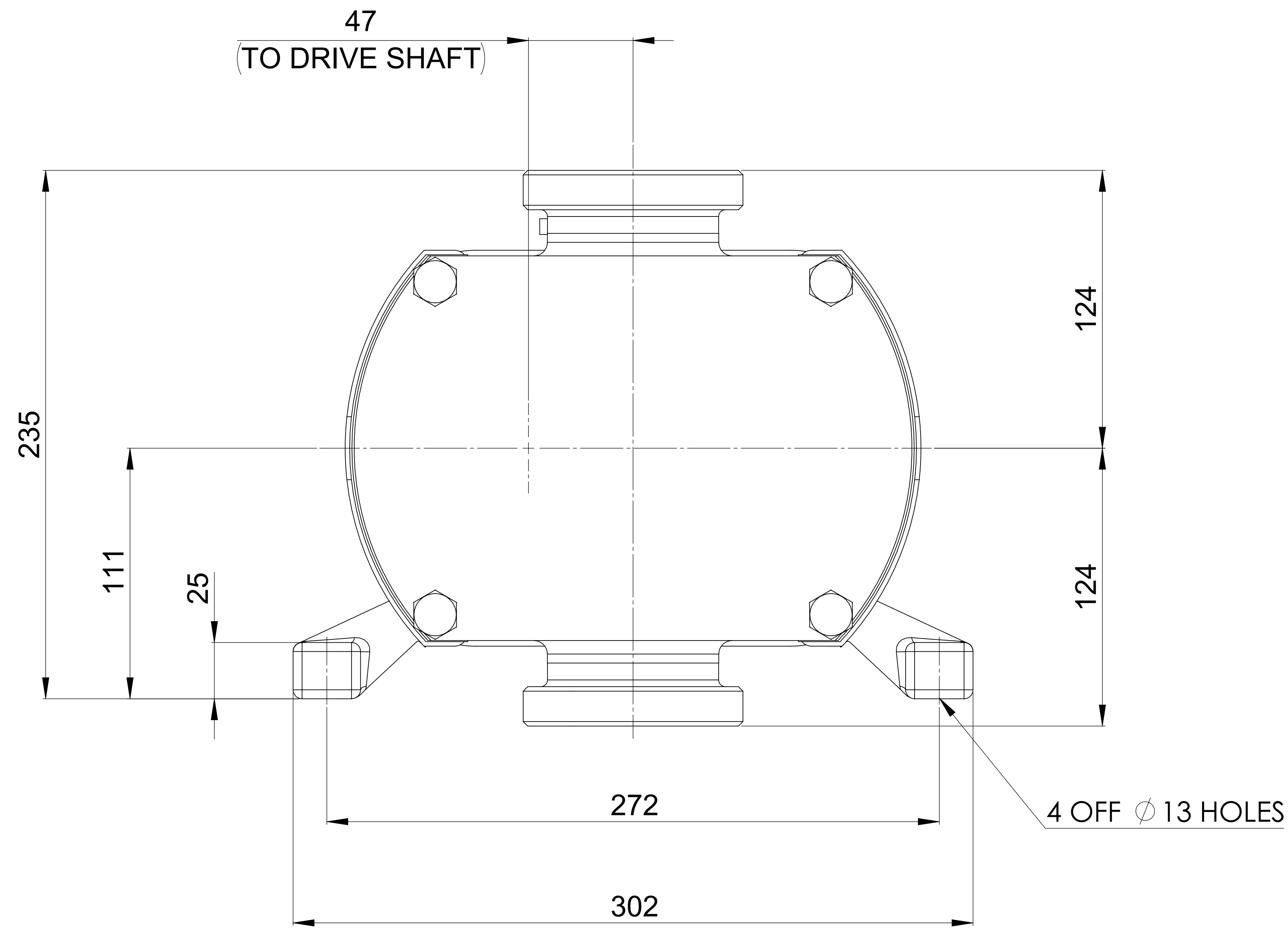
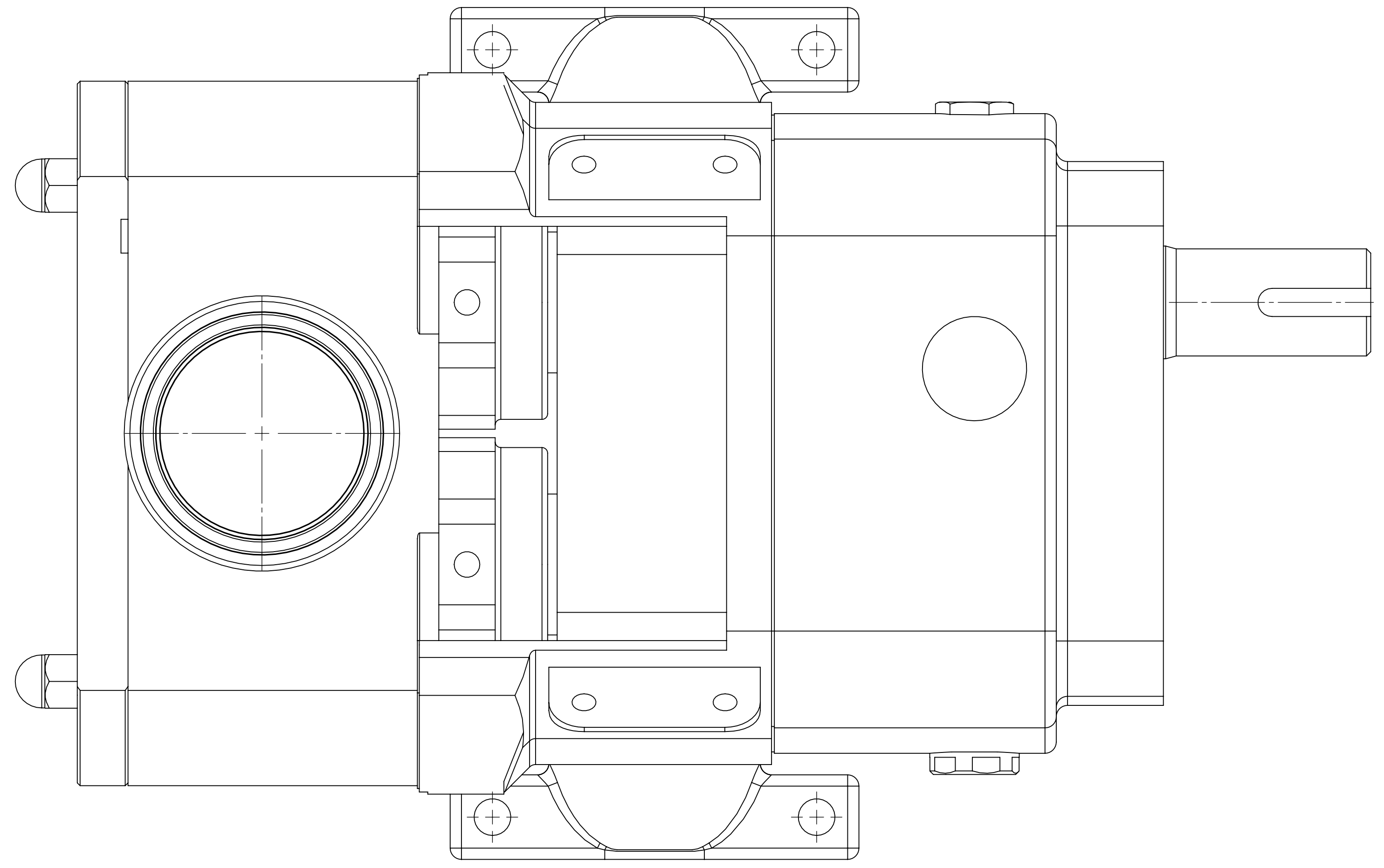


GENERAL ARRANGEMENT DETAILS	
PUMP INFORMATION	
PUMP MODEL	MULTIPUMP MP30/0113/07
INLET CONNECTION	3"SMS MALE
OUTLET CONNECTION	3"SMS MALE
SPECIAL FEATURES	NONE

THIS IS NOT A CERTIFIED DRAWING, USE FOR GENERAL INSTALLATION ONLY



ISSUED	A	26/11/2019
AMENDMENT	ISSUE	DATE

 HIGHFIELD INDUSTRIAL ESTATE, EASTBOURNE, EAST SUSSEX, BN23 6PT TEL: (+44) 1323 509211	COPYRIGHT: THIS DRAWING IS THE SOLE PROPERTY OF WRIGHT FLOW TECHNOLOGIES LTD. IT MUST NOT BE COPIED OR USED IN PART OR FULL WITHOUT PRIOR WRITTEN CONSENT.	UNLESS OTHERWISE STATED: ALL DIMENSIONS ± 2.50 ANGLES ± 2.0° DO NOT SCALE THIS DRAWING REMOVE BURRS AND SHARP EDGES DIMENSIONS IN MILLIMETRES IF IN DOUBT ASK	PROJECTION	DRAWN	CHECKED	TITLE:
				IPJB	DSB	GENERAL ARRANGEMENT DRG. NO. GA4291