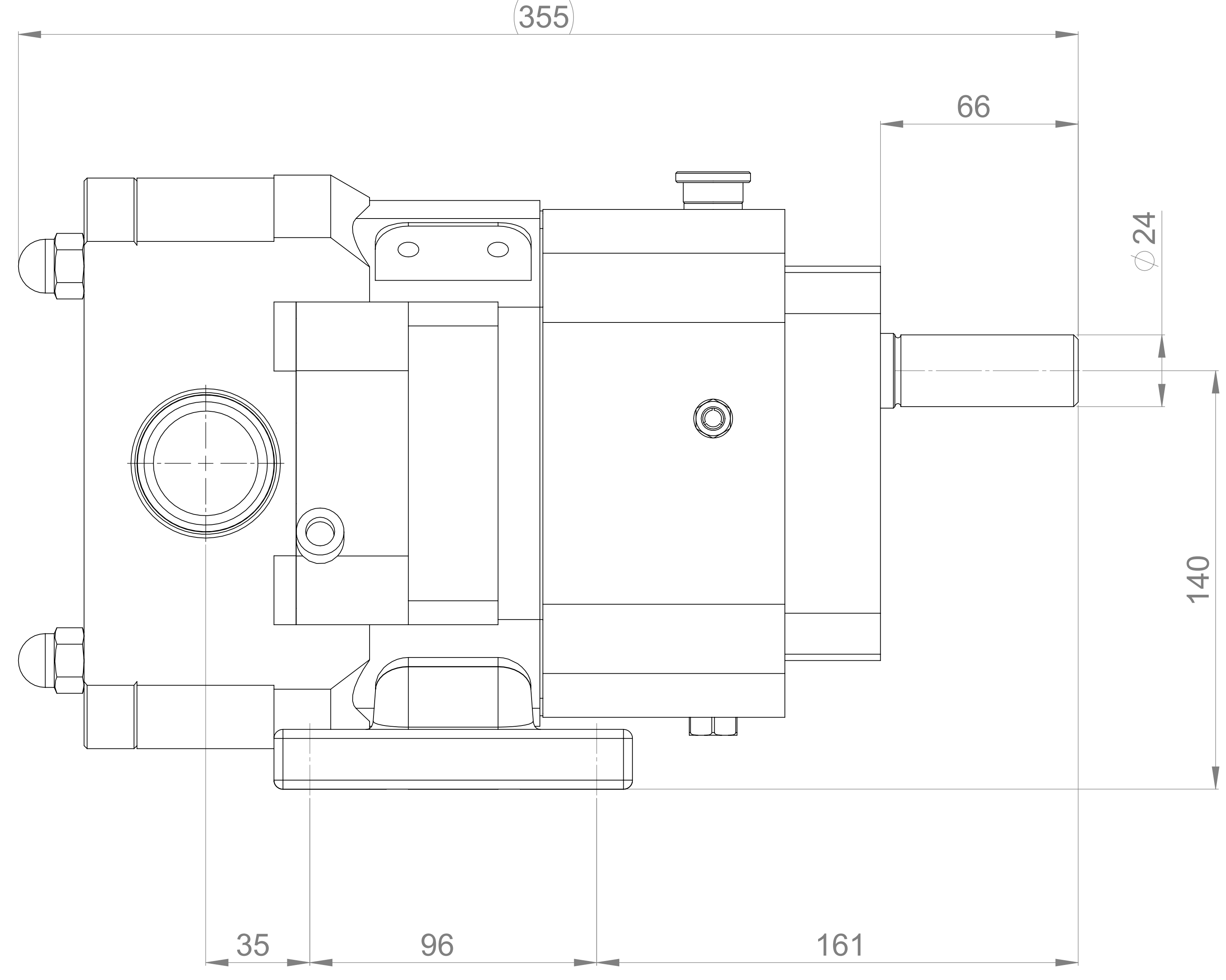
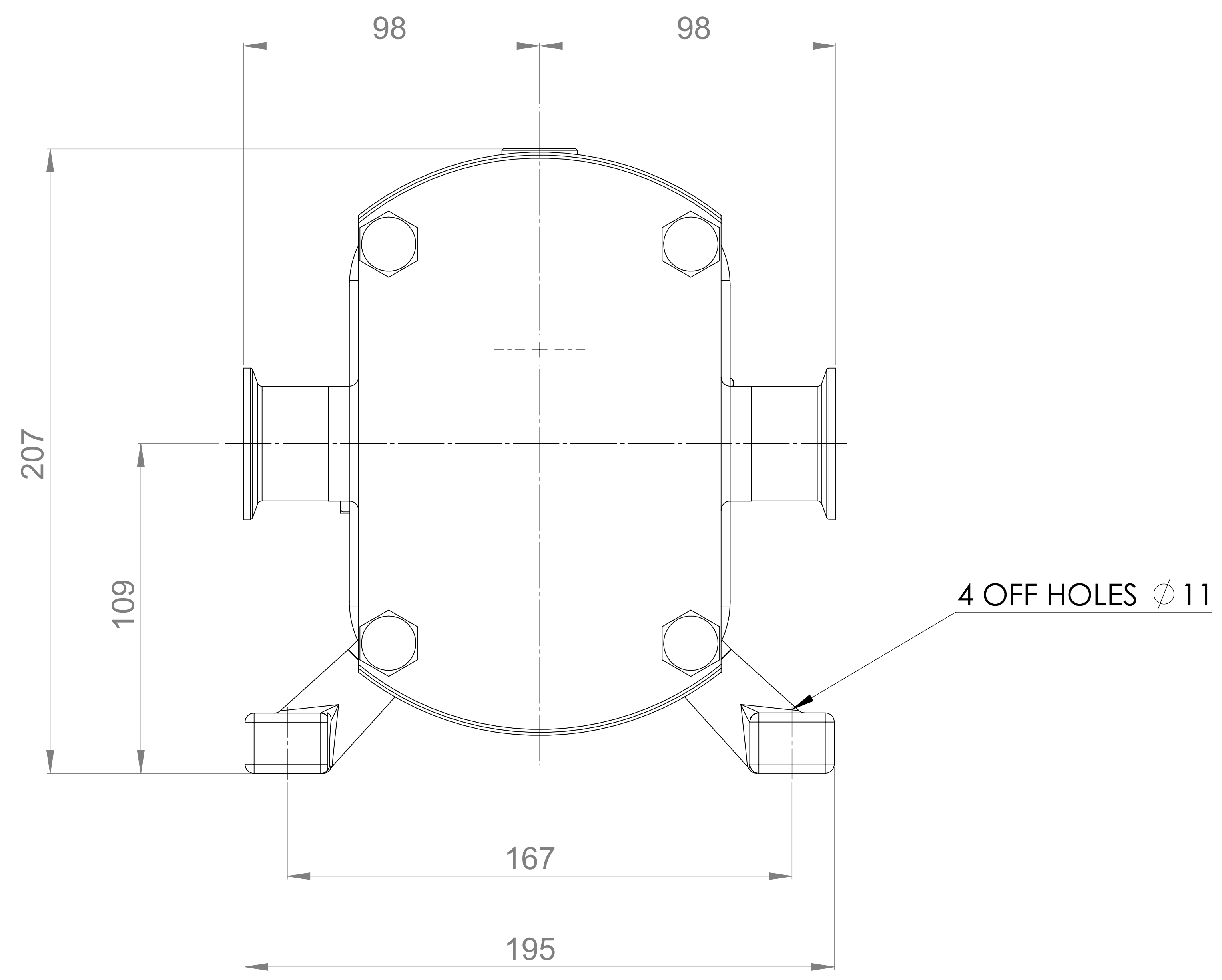
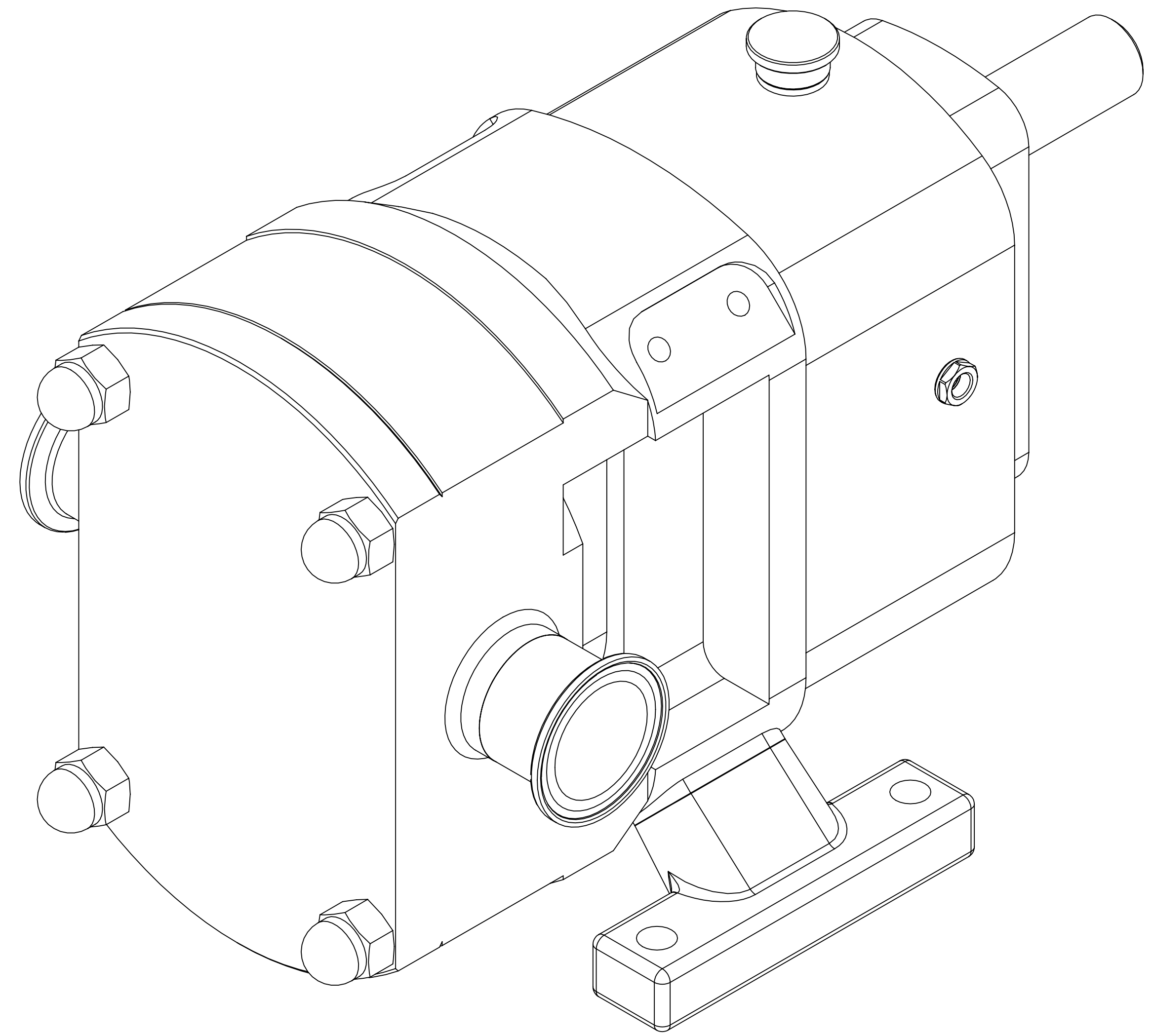


GENERAL ARRANGEMENT DETAILS	
PUMP INFORMATION	
PUMP MODEL	CLASSIC+ CP20/0020/12
INLET CONNECTION	1.5" Tri-Clamp (3A)
OUTLET CONNECTION	1.5" Tri-Clamp (3A)
SPECIAL FEATURES	NONE

THIS IS NOT A CERTIFIED DRAWING, USE FOR GENERAL INSTALLATION ONLY



ISSUE	A	02/12/2016
AMENDMENT	ISSUE	DATE

 HIGHFIELD INDUSTRIAL ESTATE, EASTBOURNE, EAST SUSSEX, BN23 6PT TEL: (+44) 1323 509211	<b>COPYRIGHT:</b> THIS DRAWING IS THE SOLE PROPERTY OF <b>WRIGHT FLOW TECHNOLOGIES LTD.</b> IT MUST NOT BE COPIED OR USED IN PART OR FULL WITHOUT PRIOR WRITTEN CONSENT.	UNLESS OTHERWISE STATED: ALL DIMENSIONS ± 2.50 ANGLES ± 2.0° DO NOT SCALE THIS DRAWING REMOVE BURRS AND SHARP EDGES DIMENSIONS IN MILLIMETRES <b>IF IN DOUBT ASK</b>	PROJECTION	DRAWN	CHECKED	TITLE:
				MR	IPJB	GENERAL ARRANGEMENT DRG. NO: <b>GA3515</b>