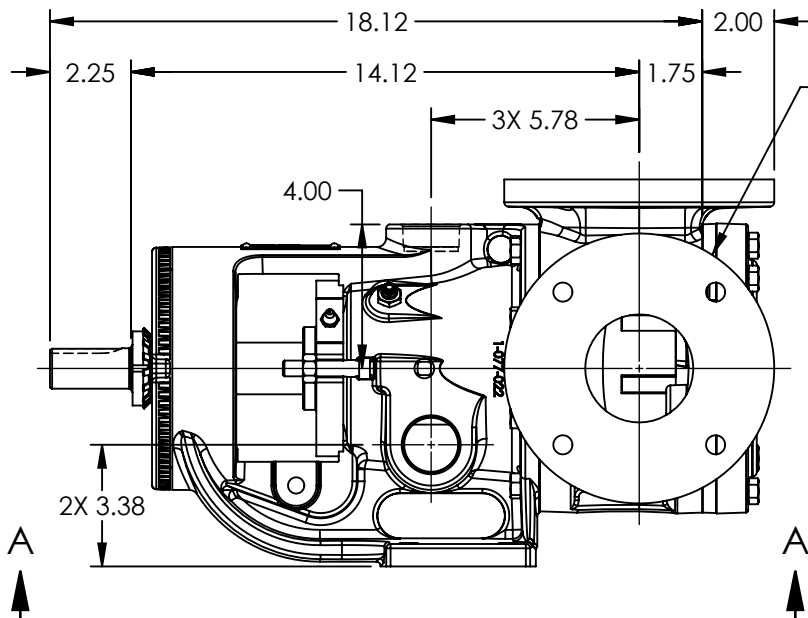
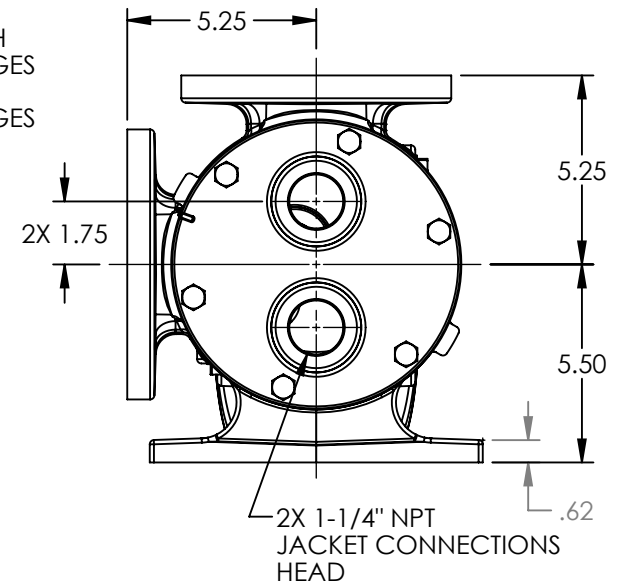


VIEW A-A



PORTS: 2X 3" FLANGES
 DRILLED AND TAPPED
 SUITABLE FOR USE WITH
 CLASS 125 ANSI FLANGES
 (1224A)
 CLASS 150 ANSI FLANGES
 (1227A)



MODELS: K1224A-CHC1, KK1224A-CHC1, K1224A-CHC2, KK1224A-CHC2, K1227A-CHC1, KK1227A-CHC1

NOTES:
 1. ALL DIMENSIONS ARE FOR REFERENCE ONLY.

STATE	Released	05/21/2020
DRAWN	sjakel	07/13/2018
CHECKED	GDJ	05/21/2020

DIMENSIONS ARE IN
 INCHES
 PROJECT: E248
 WAS:



VIKING PUMP, INC.
 A Unit of IDEX Corporation
 Cedar Falls, IA 50613
 U.S.A.

THIS DRAWING IS THE PROPERTY OF
 VIKING PUMP, INC. AND IS PROPRIETARY
 IN GENERAL AND DETAIL. IT SHALL NOT BE
 COPIED OR ITS CONTENTS REVEALED TO
 OUTSIDE PARTIES WITHOUT THE WRITTEN
 CONSENT OF VIKING PUMP, INC.

3D

DWG. NO.
 KV-2579

SHEET 1 OF 1

REV. B.0

05/21/2020