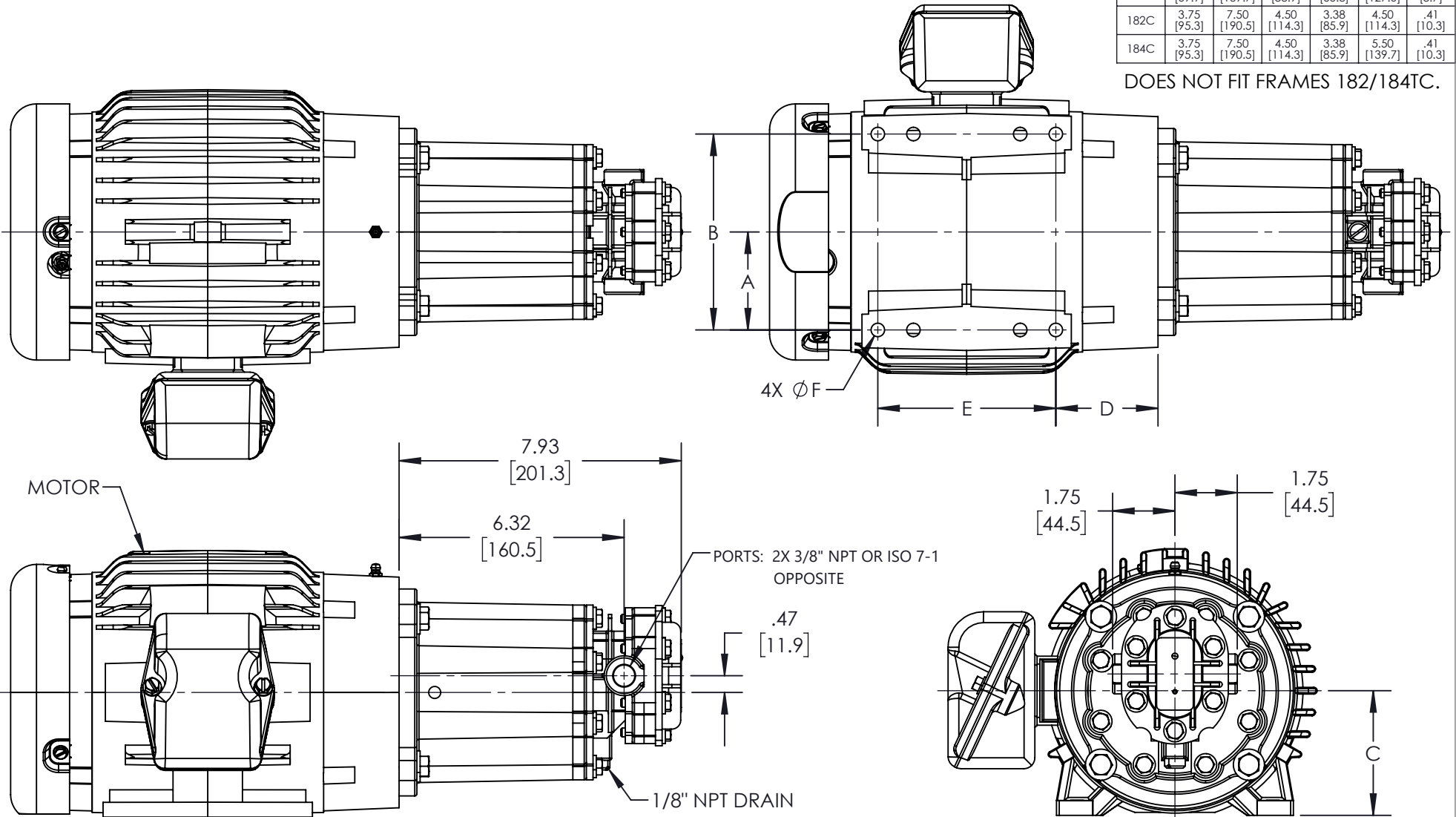


MOTOR FRAME	A	B	C	D	E	F
56C	2.44 [61.9]	4.88 [123.8]	3.50 [88.9]	2.63 [66.8]	3.00 [76.2]	.34 [8.7]
143TC	2.75 [69.9]	5.50 [139.7]	3.50 [88.9]	2.63 [66.8]	4.00 [101.6]	.34 [8.7]
145TC	2.75 [69.9]	5.50 [139.7]	3.50 [88.9]	2.63 [66.8]	5.00 [127.0]	.34 [8.7]
182C	3.75 [95.3]	7.50 [190.5]	4.50 [114.3]	3.38 [85.9]	4.50 [114.3]	.41 [10.3]
184C	3.75 [95.3]	7.50 [190.5]	4.50 [114.3]	3.38 [85.9]	5.50 [139.7]	.41 [10.3]

DOES NOT FIT FRAMES 182/184TC.



STANDARD MODEL: CMD-E05-M

STATE	Released	08/09/2022
DRAWN	bmanternach	8/7/2012
CHECKED	MEW	08/09/2022

DIMENSIONS ARE IN INCHES
PROJECT:
WAS:



VIKING PUMP, INC.
A Unit of IDEX Corporation
Cedar Falls, IA 50613 U.S.A.
VIKINGPUMP.COM

THIS DRAWING IS THE PROPERTY OF VIKING PUMP, INC. AND IS PROPRIETARY IN GENERAL AND DETAIL. IT SHALL NOT BE COPIED OR ITS CONTENTS REVEALED TO OUTSIDE PARTIES WITHOUT THE WRITTEN CONSENT OF VIKING PUMP, INC.

3D

DWG. NO.
CMD-E05-1

SHEET 1 OF 1

REV. B.0

08/09/2022