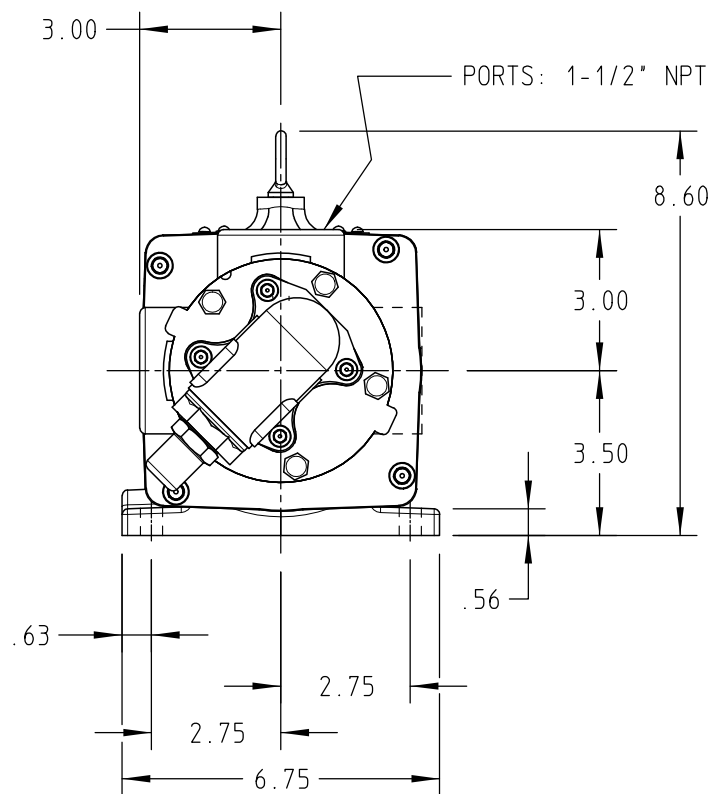
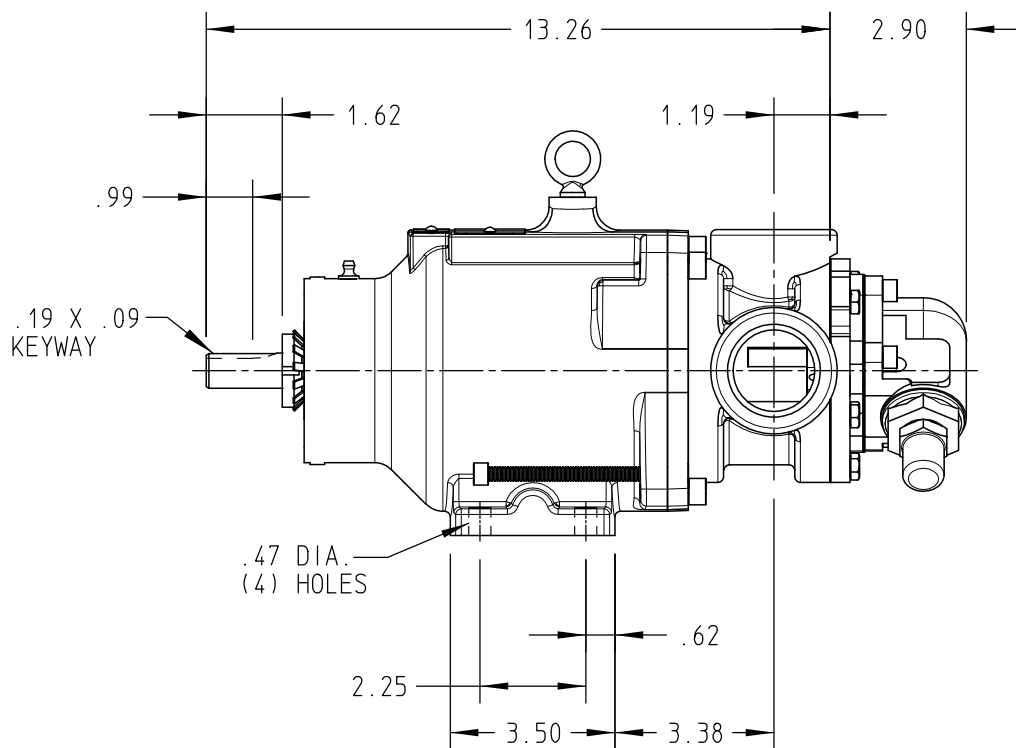


DRAWING NO.  
HV-3678



STANDARD MODELS: H8124A, HL8124A  
OS DESIGNER

DRAWN MILLER, S DATE 05 MAR 2008  
CHECKED SMM DATE 10 MAR 2008

THIS DRAWING IS THE PROPERTY OF VIKING PUMP INC. AND IS PROPRIETARY IN GENERAL AND DETAIL. IT SHALL NOT BE COPIED OR ITS CONTENTS REVEALED TO OUTSIDE PARTIES WITHOUT THE WRITTEN CONSENT OF VIKING PUMP INC.



VIKING PUMP, INC.  
A Unit of IDEX Corporation  
Cedar Falls, Iowa 50613  
U.S.A.

DRAWING NO.  
HV-3678

REV. D  
09 DEC 2009