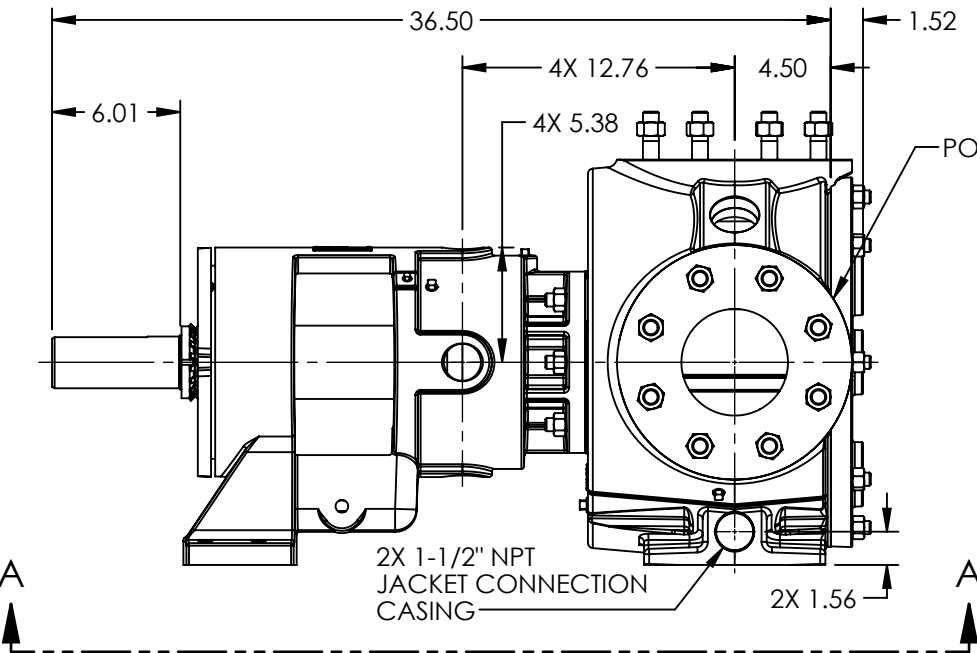
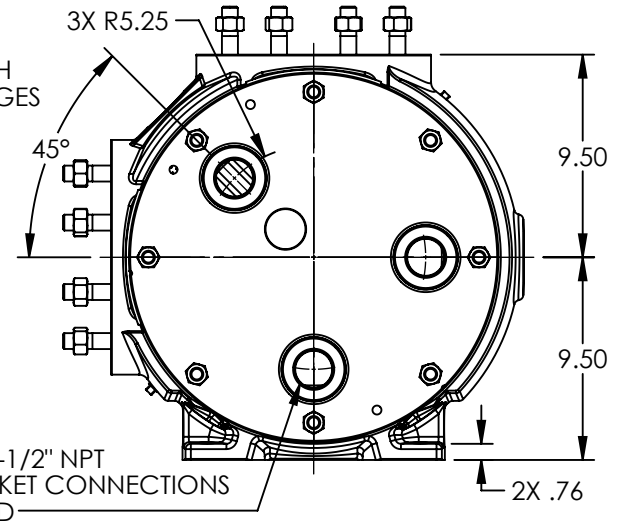


VIEW A-A



PORTS: 2X 5" FLANGES  
SUITABLE FOR USE WITH  
CLASS 125 ANSI FLANGES



NOTES:  
1. ALL DIMENSIONS ARE FOR REFERENCE ONLY.

STANDARD MODELS: N324A, N1324A, N4324A

STATE	Released	05/21/2021
DRAWN	GDJohnson	5/21/2021
CHECKED	DTL	05/21/2021

DIMENSIONS ARE IN INCHES	
PROJECT: E355	
WAS:	



VIKING PUMP, INC.  
A Unit of IDEX Corporation  
Cedar Falls, IA 50613 U.S.A.  
VIKINGPUMP.COM

THIS DRAWING IS THE PROPERTY OF VIKING PUMP, INC. AND IS PROPRIETARY IN GENERAL AND DETAIL. IT SHALL NOT BE COPIED OR ITS CONTENTS REVEALED TO OUTSIDE PARTIES WITHOUT THE WRITTEN CONSENT OF VIKING PUMP, INC.

3D

DWG. NO.  
NV-656

SHEET 1 OF 1

REV. D.0

05/21/2021