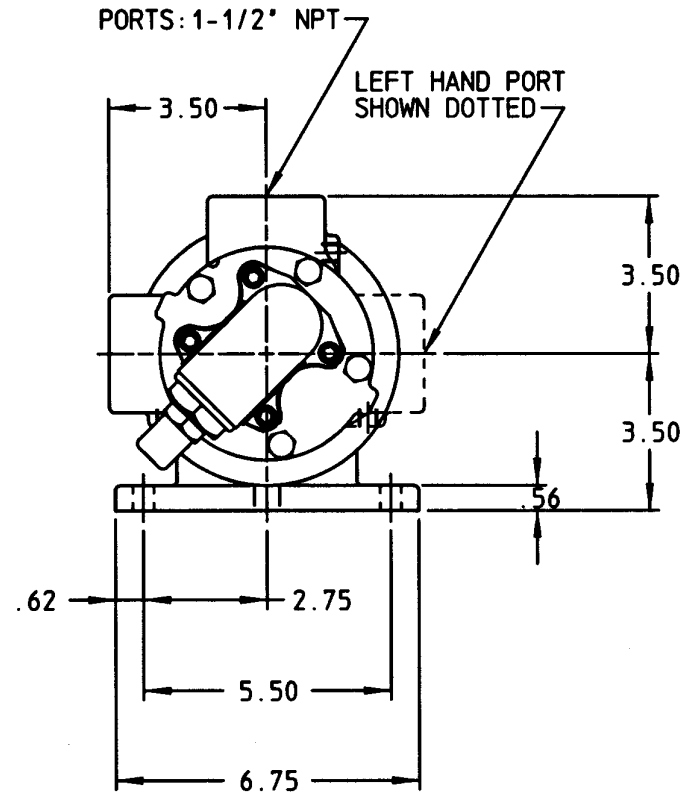
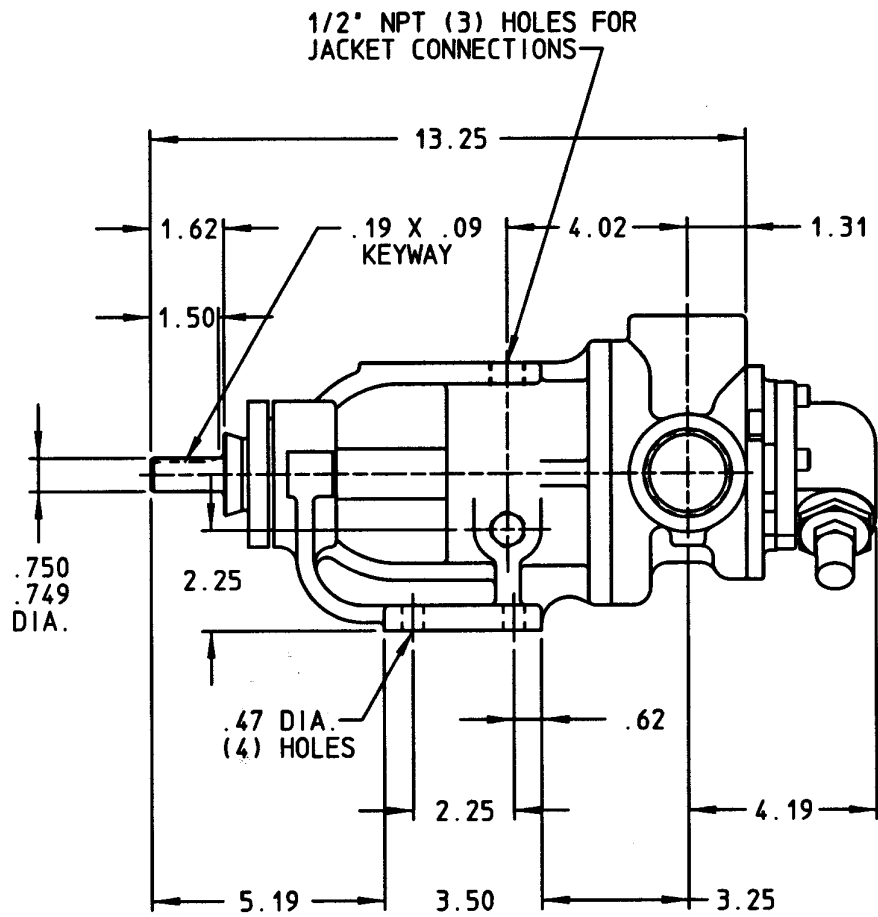


DRAWING NO.
HV-3268



MODELS: H724, H4724, HL724, HL4724

DRAWN HUMPAL DATE 13 AUG 1997
 CHECKED DC DATE 13 AUG 1997

THIS DRAWING IS THE PROPERTY OF VIKING PUMP INC. AND IS PROPRIETARY IN GENERAL AND DETAIL. IT SHALL NOT BE COPIED OR ITS CONTENTS REVEALED TO OUTSIDE PARTIES WITHOUT THE WRITTEN CONSENT OF VIKING PUMP INC.

VIKING PUMP
 VIKING PUMP, INC.
 A Unit of IDEX Corporation
 Cedar Falls, Iowa 50613
 U.S.A.

DRAWING NO.
HV-3268

REV. B
 20 JUL 2000