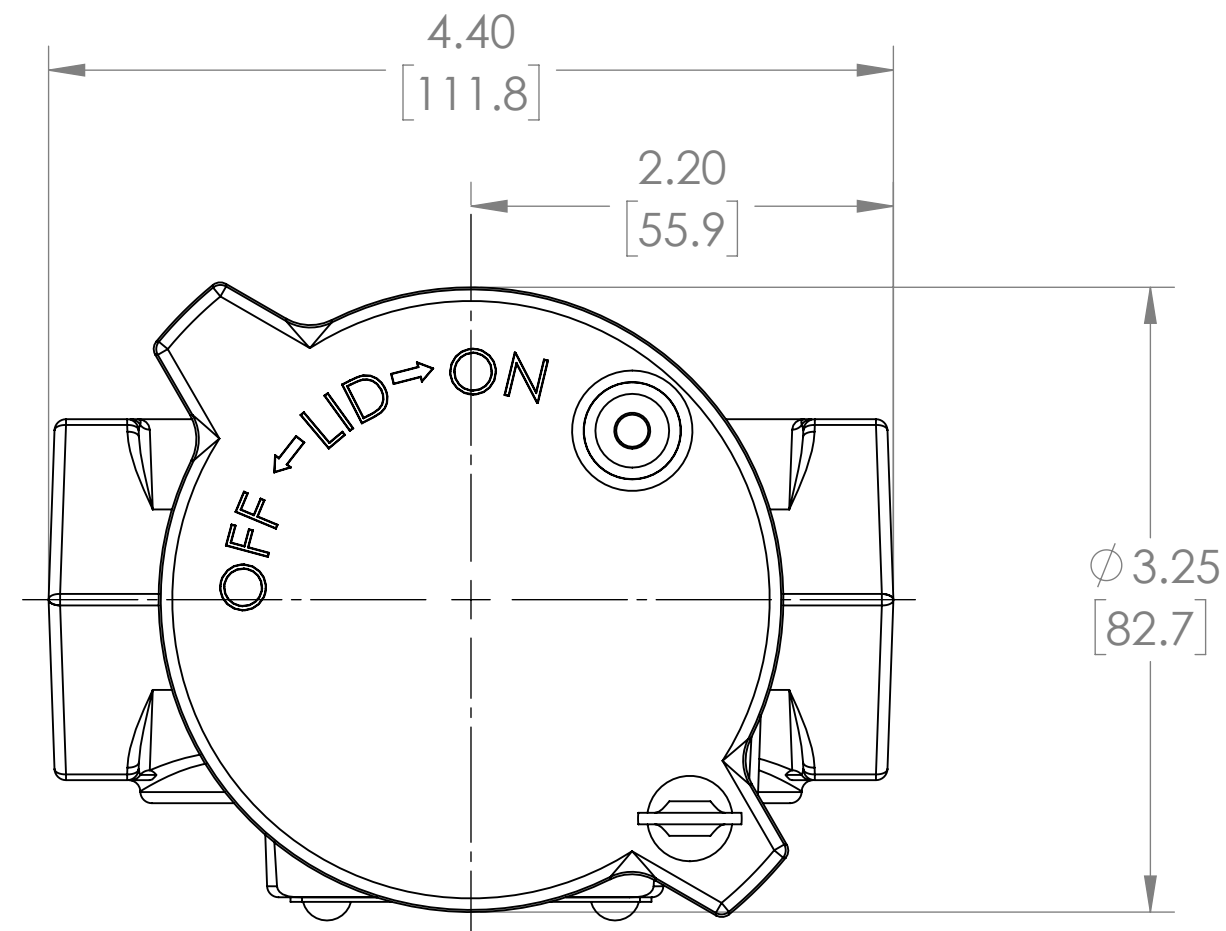
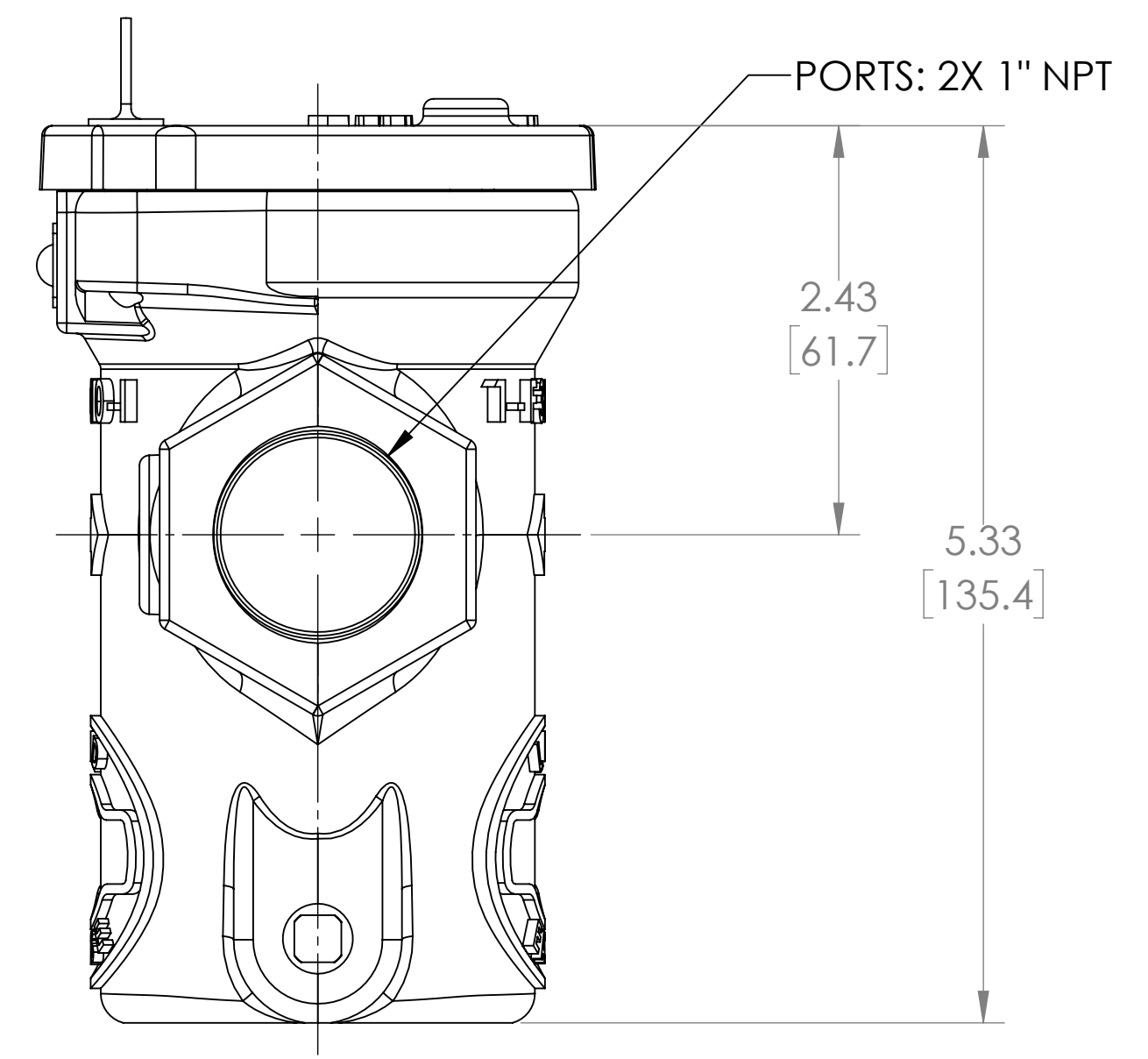
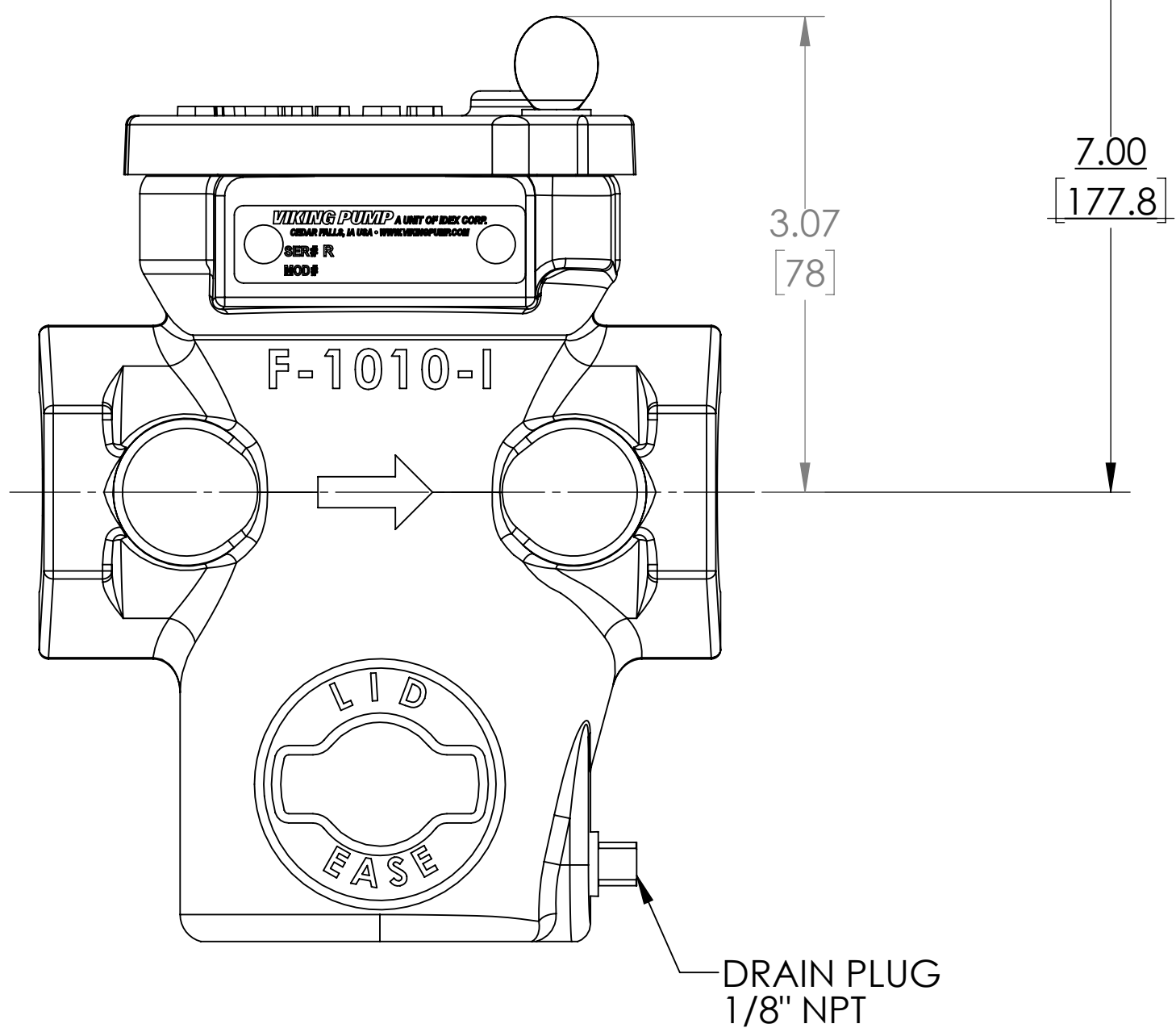


REVISIONS			
REV.	DESCRIPTION	ECN	DATE
A.1	1. ADDED DRAIN PLUG NOTE AND DUAL DIMENSIONS		7/15/2011
A.2	1. CHANGED STAINER TO STRAINER IN TITLE BLOCK		7/14/2011
B.0	1. CONVERTED TO 3D PER DR-5870		7/18/2022



CLEARANCE REQUIRED FOR BASKET REMOVAL



NOTES:  
1. REFER TO VIKING CATALOG SECTION 640 FOR -XXX MODEL NUMBER CLARIFICATION.

MESH	10	20	40	60	80	100
OPENING (INCHES)	.075	.034	.015	.0092	.007	.0055
OPENING (MICRONS)	1910	860	380	230	190	140

USE AND RELATED INFORMATION

MATERIAL:  
SEE PARTS FOR MATERIAL SPEC

WAS:

UNLESS OTHERWISE SPECIFIED DIMENSIONS ARE IN INCHES.  
INTERPRET DIM AND TOLERANCES PER VIKING PUMP ES-47  
BREAK EDGES .005-.015 RADIUS OR CHAMFER  
.XX ±.02 .XXX ±.005 ANGLES ±1°

ALL FINISHED SURFACES  $\nabla_{250}$  (AA .030 CUTOFF)  
ACCEPTABILITY OF SCREW THREADS SHALL BE DETERMINED BASED ON SYSTEM 21 ASME B1.3

THIRD ANGLE PROJECTION

STATE	Released	07/19/2022
DRAWN	rmennenga	7/5/2011
CHECKED	GDJ	07/19/2022
PROJECT	3D	
SCALE:	4:5	
CASTING NUMBER		

**VIKING PUMP** VIKING PUMP, INC.  
A Unit of IDEX Corporation  
Cedar Falls, IA, 50613 U.S.A.  
VIKINGPUMP.COM

THIS DRAWING IS THE PROPERTY OF VIKING PUMP, INC. AND IS PROPRIETARY IN GENERAL AND DETAIL. IT SHALL NOT BE COPIED OR ITS CONTENTS REVEALED TO OUTSIDE PARTIES WITHOUT THE WRITTEN CONSENT OF VIKING PUMP, INC.

STRAINER ASSEMBLY, 1" NPT OPPOSITE TAPPED PORTS, BREECH LOCK LID

SIZE DWG. NO. SHEET 1 OF 1 REV  
**C** CF-1010-1 B.0