



## 75 SERIES™, 475 SERIES™

CAST IRON CONSTRUCTION | MOTOR SPEED PRODUCT LINE



### FEATURES & BENEFITS

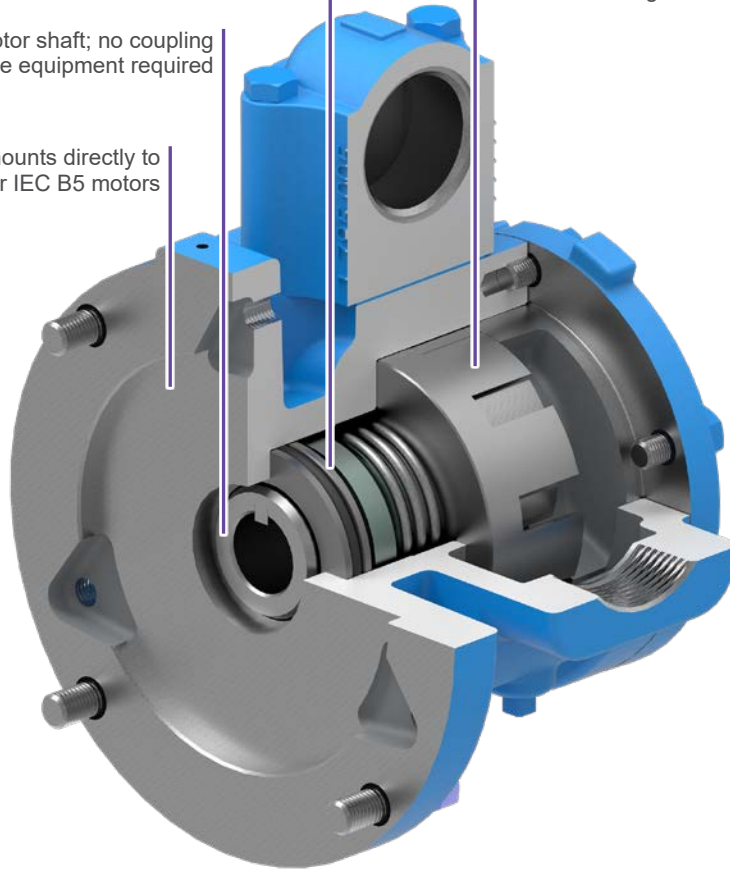
- The close-coupled pump size is cut to a minimum, saving space
- Mounts directly to the motor, no drive equipment needed
- Simplified rotor retention system, economical for medium duty applications

Lip seal (75 Series™) or mechanical seal (475 Series™) versions available

Rotor slides over motor shaft; no coupling or other drive equipment required

Flanged casing mounts directly to NEMA C flange or IEC B5 motors

Top-mounted internal relief valve prevents excessive pressures in the discharge line, while maintaining a small overall footprint



**CAPACITY**  
to 30 GPM  
(6.8 m<sup>3</sup>/h)



**PRESSURE**  
475 Series to 100 PSI (7 BAR)  
75 Series to 50 PSI (3 BAR)



**VISCOSITY**  
28 to 2,500 SSU  
(1 to 550 cSt)

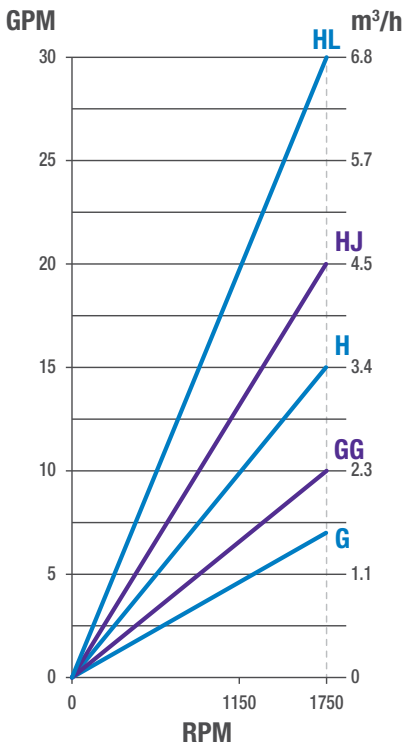


**TEMPERATURE**  
-20°F to +350°F  
(-30°C to +175°C)

## PERFORMANCE

MODELS		SPECIFICATIONS				
Motor Mount		Performance			Standard Ports	
Lip Seal	Mechanical Seal	Max Speed, RPM	GPM	m <sup>3</sup> /h	Size, Inches	Type
G75	G475	1750	7	1.6	1	NPT
GG75	GG475	1750	10	2.3	1	NPT
H75	H475	1750	15	3.4	1.5	NPT
HJ75	HJ475	1750	20	4.5	1.5	NPT
HL75	HL475	1750	30	6.8	1.5	NPT

## CURVES



## PORTING

- Opposite (180°)
- NPT

## SEALING

- Lip Seals
- Component Mechanical Seal

## MOUNTING

- Motor Mount  
NEMA: 56C, 143TC, 145TC, 182C, 184C  
IEC: 80, 90 B5 Flange



(HL475 M Drive)

## DRIVES

- Motor Mounted Drive

## TYPICAL APPLICATIONS

- Filtering
- Transferring
- Circulating
- Lubricating

# VIKING PUMP®

**VIKING PUMP, INC.**  
A Unit of IDEX Corporation  
406 State Street  
Cedar Falls, Iowa 50613 U.S.A.  
[vikingpump.com](http://vikingpump.com)

**CONTACT YOUR STOCKING DISTRIBUTOR TODAY**