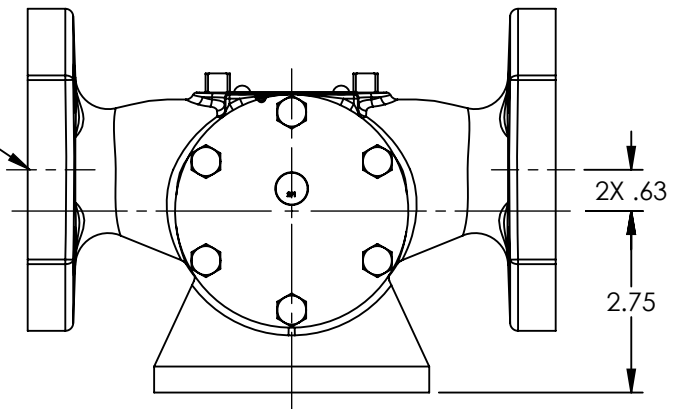
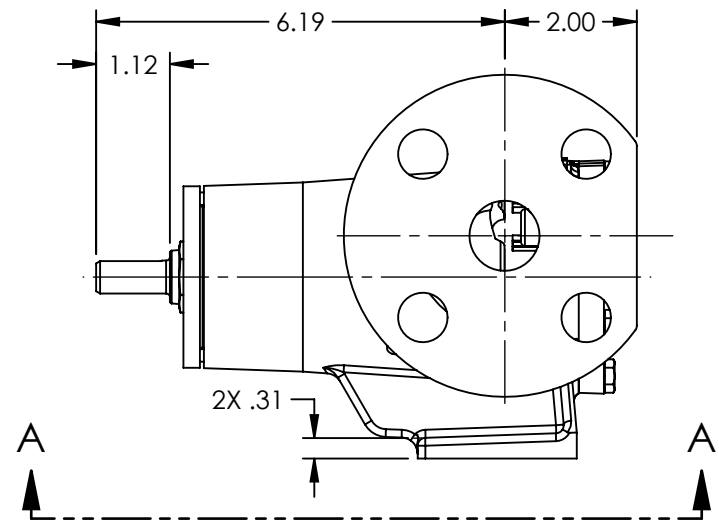


VIEW A-A

PORTS: 2X 1" FLANGES
SUITABLE FOR USE WITH
CLASS 300 ANSI FLANGES



NOTES:
1. ALL DIMENSIONS ARE FOR REFERENCE ONLY.

STANDARD MODEL: GG4193

STATE	Released	03/03/2017
DRAWN	sjakel	03/02/2017
CHECKED	BAM	03/03/2017

DIMENSIONS ARE IN INCHES
PROJECT:
WAS:



VIKING PUMP, INC.
A Unit of IDEX Corporation
Cedar Falls, IA 50613
U.S.A.

THIS DRAWING IS THE PROPERTY OF VIKING PUMP, INC. AND IS PROPRIETARY IN GENERAL AND DETAIL. IT SHALL NOT BE COPIED OR ITS CONTENTS REVEALED TO OUTSIDE PARTIES WITHOUT THE WRITTEN CONSENT OF VIKING PUMP, INC.

3D

DWG. NO.
GV-1473

SHEET 1 OF 1

REV.
03/03/2017