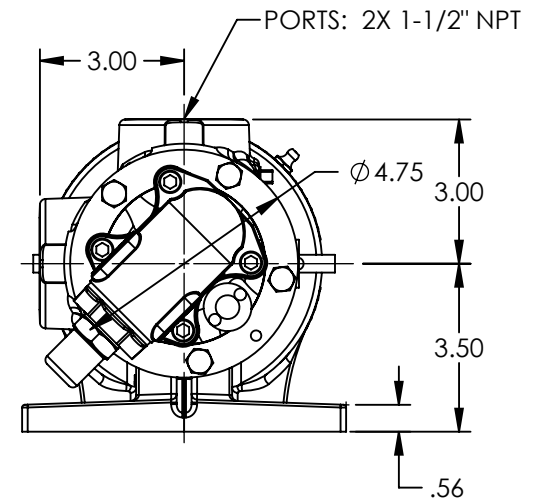
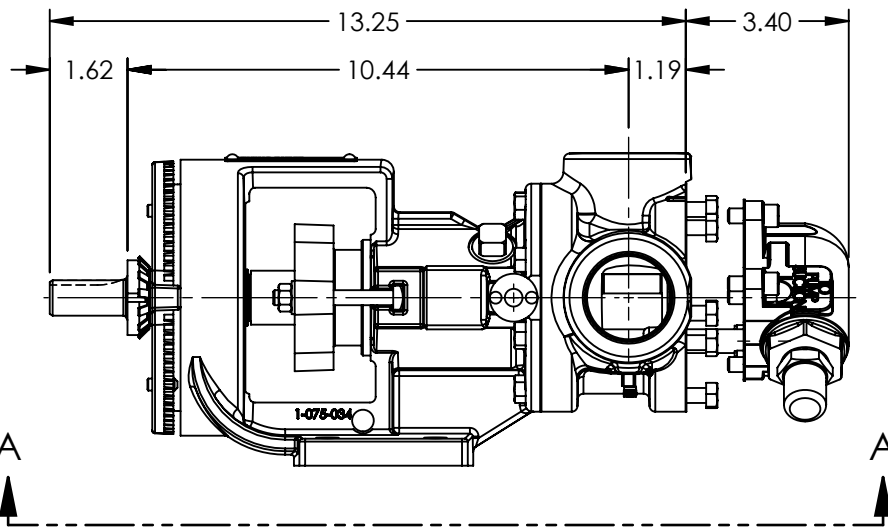


VIEW A-A



- NOTES:
 1. ALL DIMENSIONS ARE FOR REFERENCE ONLY.
 2. HEATER CONDUIT HIDDEN FOR CLARITY.

STANDARD MODELS: H124E, HL124E

STATE	Released	08/09/2018
DRAWN	tdutcher	07/01/2011
CHECKED	SJJ	08/09/2018

DIMENSIONS ARE IN INCHES
 PROJECT: D380
 WAS:



VIKING PUMP, INC.
 A Unit of IDEX Corporation
 Cedar Falls, IA 50613
 U.S.A.

THIS DRAWING IS THE PROPERTY OF VIKING PUMP, INC. AND IS PROPRIETARY IN GENERAL AND DETAIL. IT SHALL NOT BE COPIED OR ITS CONTENTS REVEALED TO OUTSIDE PARTIES WITHOUT THE WRITTEN CONSENT OF VIKING PUMP, INC.

3D

DWG. NO.
 HV-3812

SHEET 1 OF 1

REV. A.2

08/09/2018