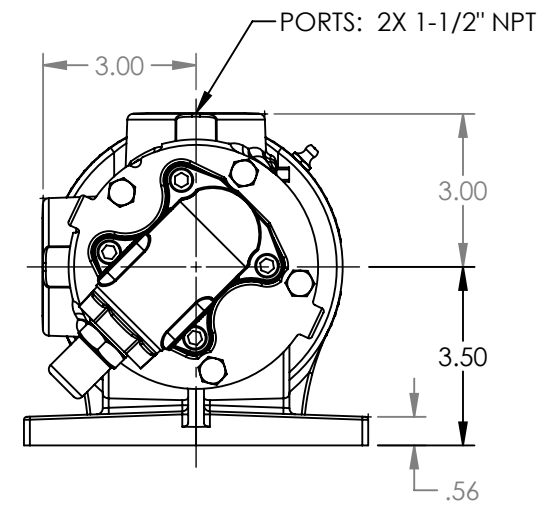
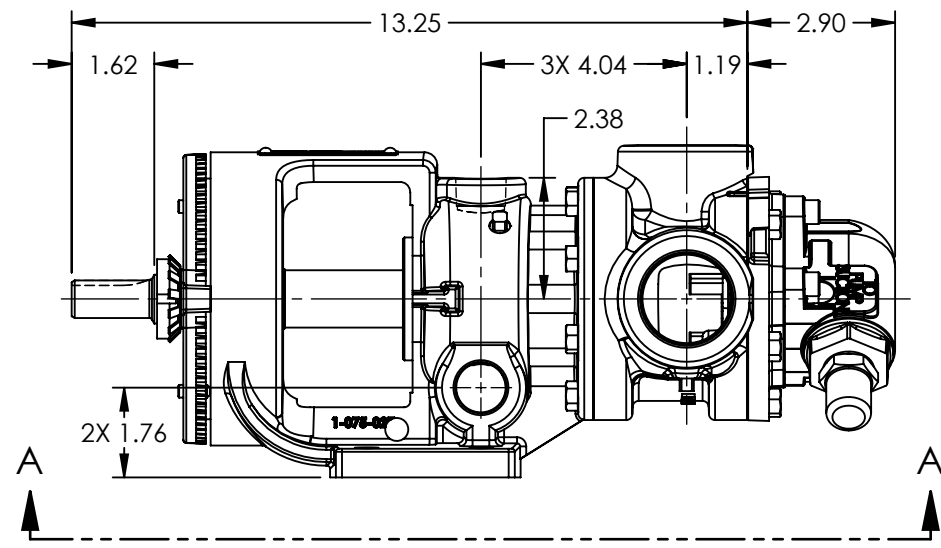


VIEW A-A



STANDARD MODELS:
 H224A, H1224A, H4224A, H226A, H4226A, H4224B,
 HL224A, HL1224A, HL4224A, HL226A, HL4226A, HL4224B

NOTES:
 1. ALL DIMENSIONS ARE FOR REFERENCE ONLY.

| | | |
|---------|----------|------------|
| STATE | Released | 03/16/2020 |
| DRAWN | sjakel | 05/22/2019 |
| CHECKED | AA | 03/16/2020 |

DIMENSIONS ARE IN INCHES
 PROJECT:
 WAS:



VIKING PUMP, INC.
 A Unit of IDEX Corporation
 Cedar Falls, IA 50613
 U.S.A.

THIS DRAWING IS THE PROPERTY OF VIKING PUMP, INC. AND IS PROPRIETARY IN GENERAL AND DETAIL. IT SHALL NOT BE COPIED OR ITS CONTENTS REVEALED TO OUTSIDE PARTIES WITHOUT THE WRITTEN CONSENT OF VIKING PUMP, INC.

3D

DWG. NO.
 HV-3436

SHEET 1 OF 1

REV. D.1
 03/16/2020