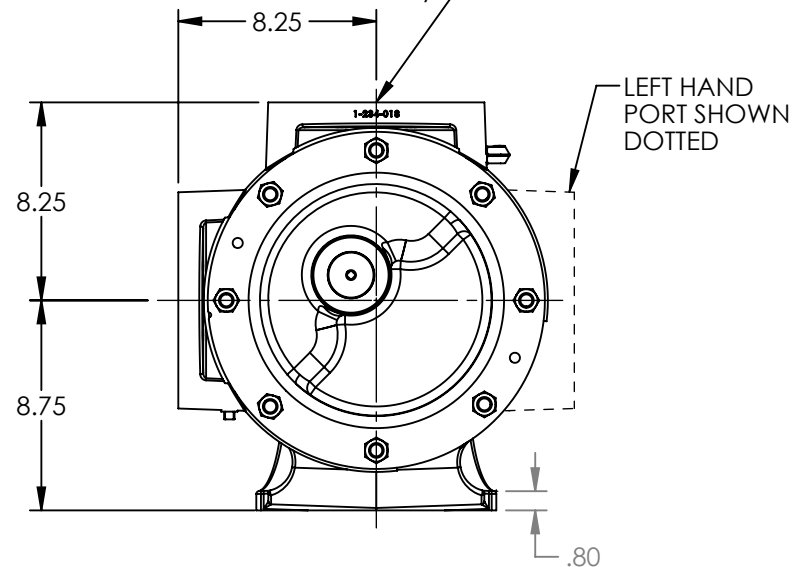
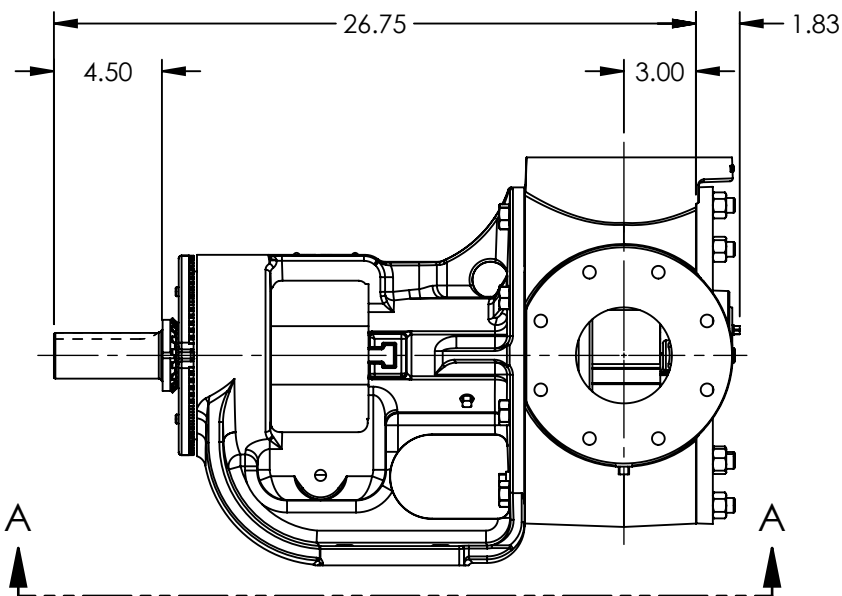


PORTS: 2X 4" FLANGES
 STUDS AND NUTS (NOT SHOWN)
 SUITABLE FOR USE WITH
 CLASS 125 ANSI FLANGES
 (124A, 1124A, 4124A, 4124B, 4624B)
 CLASS 150 ANSI FLANGES
 (123A, 4123A, 126A, 4126A, 127A, 1127A, 4127A)

VIEW A-A



STANDARD MODELS:
 Q124A, Q1124A, Q4124A, Q4124B, Q123A, Q4123A, Q126A, Q4126A, Q127A, Q1127A, Q4127A
 MODEL WITH OPTIONAL FLANGED PORT:
 Q4624B

NOTES:
 1. ALL DIMENSIONS ARE FOR REFERENCE ONLY.

STATE	Released	11/08/2019
DRAWN	sjakel	05/09/2019
CHECKED	AA	11/08/2019

DIMENSIONS ARE IN INCHES
 PROJECT:
 WAS:



VIKING PUMP, INC.
 A Unit of IDEX Corporation
 Cedar Falls, IA 50613
 U.S.A.

THIS DRAWING IS THE PROPERTY OF VIKING PUMP, INC. AND IS PROPRIETARY IN GENERAL AND DETAIL. IT SHALL NOT BE COPIED OR ITS CONTENTS REVEALED TO OUTSIDE PARTIES WITHOUT THE WRITTEN CONSENT OF VIKING PUMP, INC.

3D

DWG. NO.
 QV-1878

SHEET 1 OF 1

REV. C.1

11/08/2019