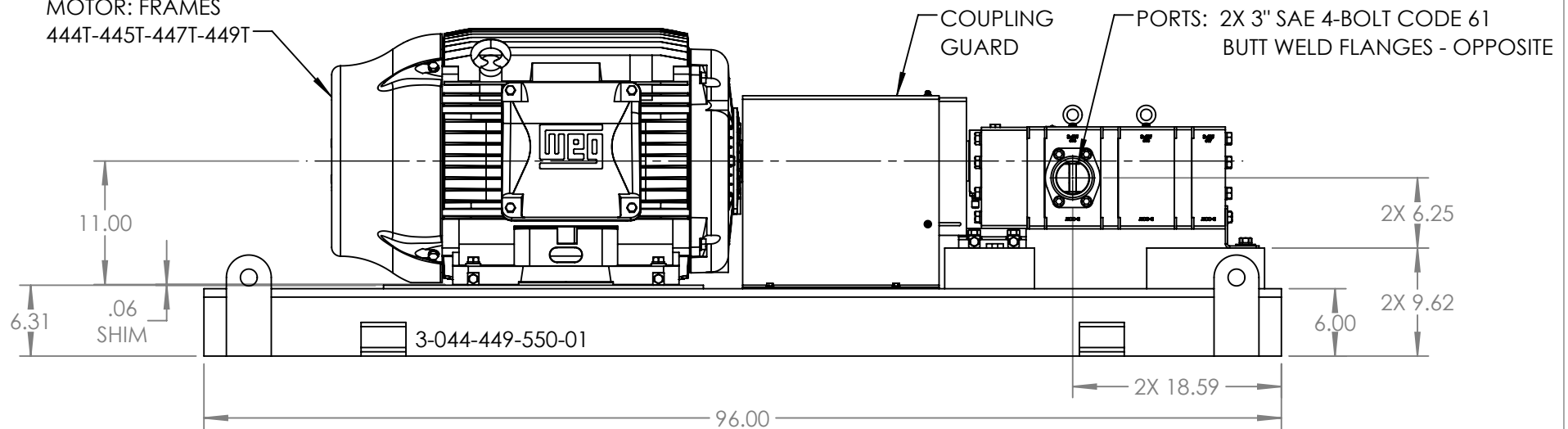


MOTOR: FRAMES
444T-445T-447T-449T



MODELS: GP-41445-G00-D, GP-41445-G10-D, GP-41445-N00-D, GP-41445-N10-D,
GP-41445-K00-D, GP-41445-K10-D, GB-41445-K00-D, GB-41445-K10-D,
GB-41445-N00-D, GB-41445-N10-D, GB-41445-R00-D, GB-41445-R10-D

NOTES:

1. COUPLING GUARD NOT SHOWN IN TOP VIEW.
2. ALL DIMENSIONS ARE FOR REFERENCE ONLY.

| | | |
|---------|----------|------------|
| STATE | Released | 08/03/2020 |
| DRAWN | DLende | 12/1/2017 |
| CHECKED | GDJ | 08/03/2020 |

DIMENSIONS ARE IN
INCHES
PROJECT: E251
WAS:



VIKING PUMP, INC.
A Unit of IDEX Corporation
Cedar Falls, IA 50613
U.S.A.

THIS DRAWING IS THE PROPERTY OF
VIKING PUMP, INC. AND IS PROPRIETARY
IN GENERAL AND DETAIL. IT SHALL NOT BE
COPIED OR ITS CONTENTS REVEALED TO
OUTSIDE PARTIES WITHOUT THE WRITTEN
CONSENT OF VIKING PUMP, INC.

3D

DWG. NO.

GPV-1445-016-U

SHEET 1 OF 1

REV. E.0

08/03/2020