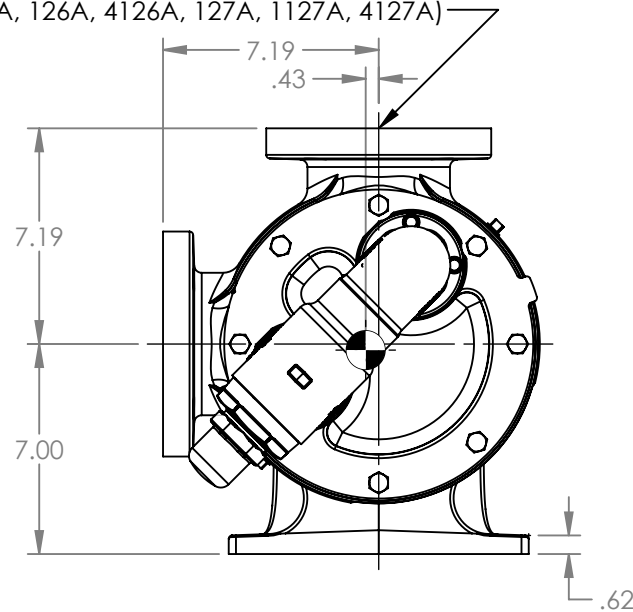
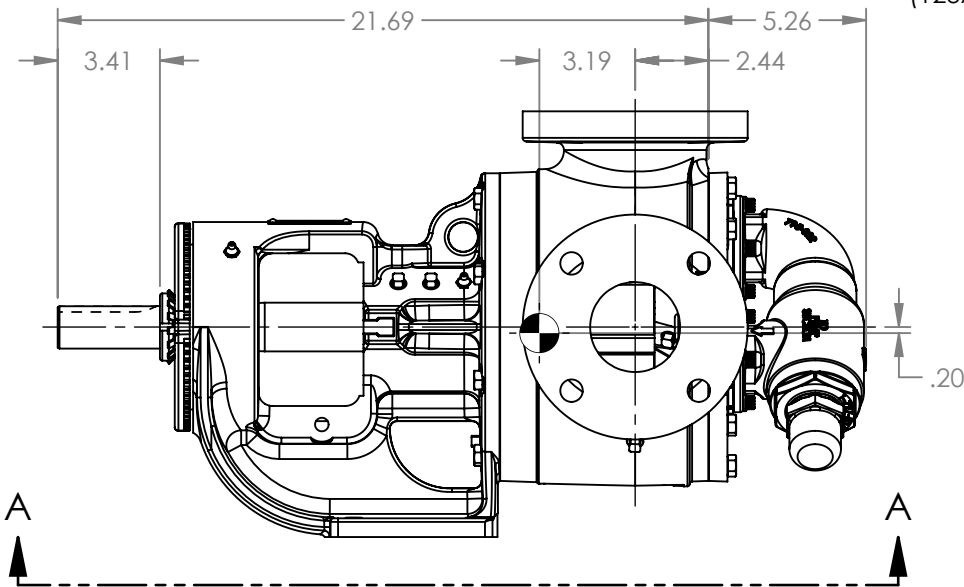


PORTS: 2X 3" FLANGES  
 SUITABLE FOR USE WITH  
 CLASS 125 ANSI FLANGES  
 (124A, 1124A, 4124A, 4124B, 4624B)  
 CLASS 150 ANSI FLANGES  
 (123A, 4123A, 126A, 4126A, 127A, 1127A, 4127A)

VIEW A-A



NOTES:  
 1. ALL DIMENSIONS ARE FOR REFERENCE ONLY.  
 2. -⊙- = CENTER OF GRAVITY.

STANDARD MODELS:  
 LS124A, LS1124A, LS4124A, LS123A, LS4123A, LS126A, LS4126A, LS127A, LS1127A, LS4127A, LS4124B, LS4624B

STATE	Released	03/01/2021
DRAWN	sjakel	05/06/2019
CHECKED	GDJ	03/01/2021

DIMENSIONS ARE IN  
 INCHES  
 PROJECT:  
 WAS:



VIKING PUMP, INC.  
 A Unit of IDEX Corporation  
 Cedar Falls, IA 50613  
 U.S.A.

THIS DRAWING IS THE PROPERTY OF  
 VIKING PUMP, INC. AND IS PROPRIETARY  
 IN GENERAL AND DETAIL. IT SHALL NOT BE  
 COPIED OR ITS CONTENTS REVEALED TO  
 OUTSIDE PARTIES WITHOUT THE WRITTEN  
 CONSENT OF VIKING PUMP, INC.

3D

DWG. NO.  
 LV-3388

SHEET 1 OF 1

REV. H.0

03/01/2021