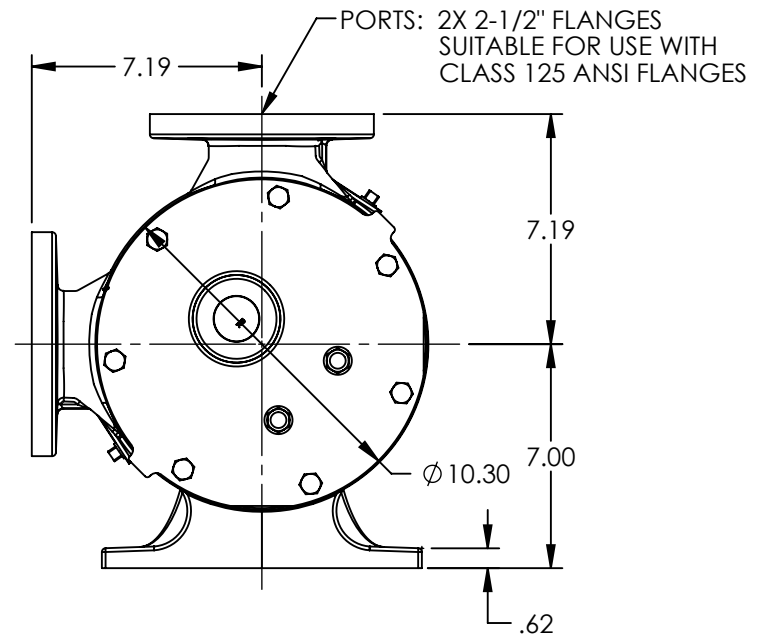
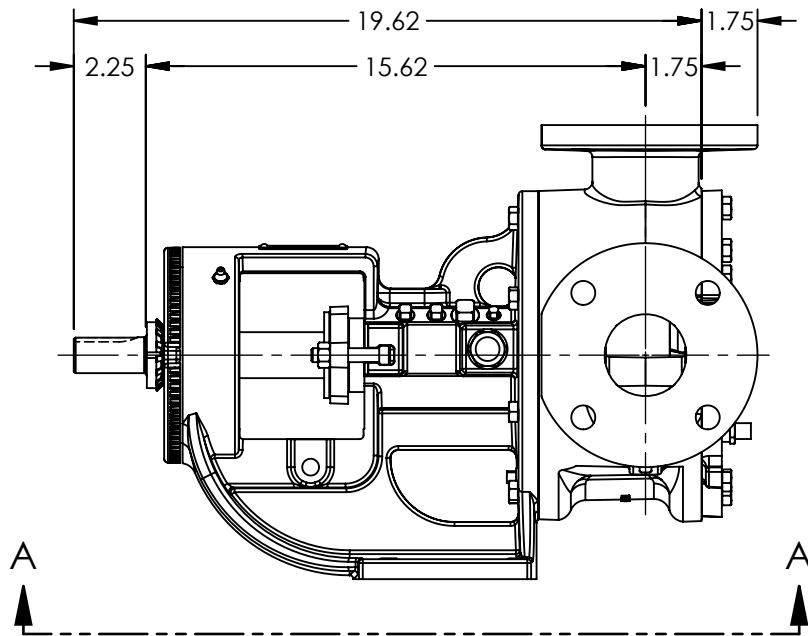


VIEW A-A



NOTES:
 1. ALL DIMENSIONS ARE FOR REFERENCE ONLY.
 2. HEATER CONDUIT HIDDEN FOR CLARITY.

STANDARD MODEL: LQ124E

| | | |
|---------|-------------|------------|
| STATE | Released | 08/09/2018 |
| DRAWN | rmcelligott | 7/9/2012 |
| CHECKED | SJJ | 08/09/2018 |

| |
|--------------------------|
| DIMENSIONS ARE IN INCHES |
| PROJECT: |
| WAS: |



VIKING PUMP, INC.
 A Unit of IDEX Corporation
 Cedar Falls, IA 50613
 U.S.A.

THIS DRAWING IS THE PROPERTY OF VIKING PUMP, INC. AND IS PROPRIETARY IN GENERAL AND DETAIL. IT SHALL NOT BE COPIED OR ITS CONTENTS REVEALED TO OUTSIDE PARTIES WITHOUT THE WRITTEN CONSENT OF VIKING PUMP, INC.

3D

DWG. NO.
 LV-4181

SHEET 1 OF 1

REV. B.0

08/09/2018