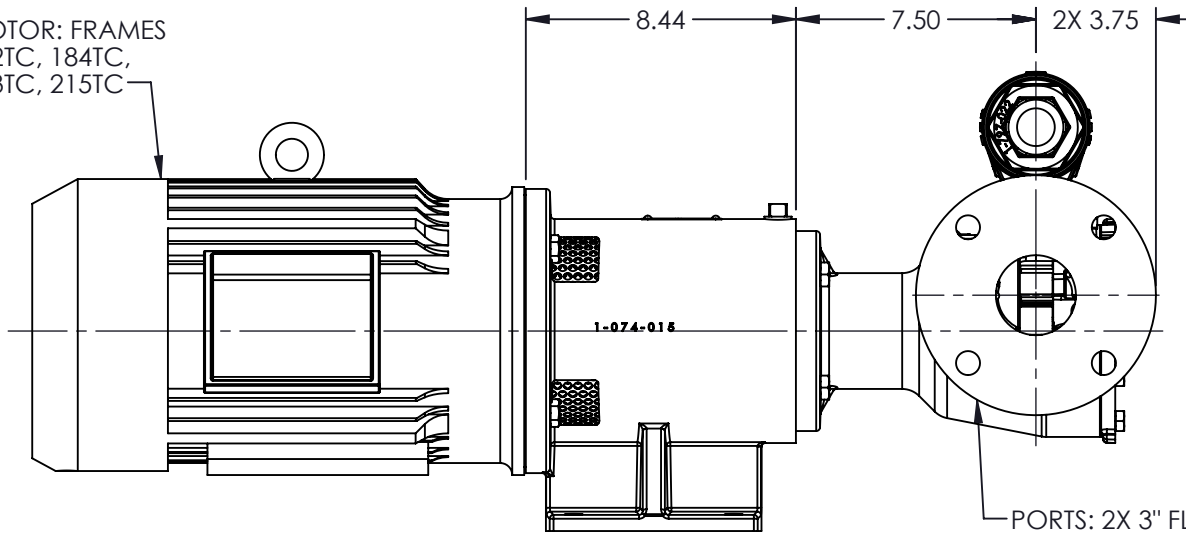
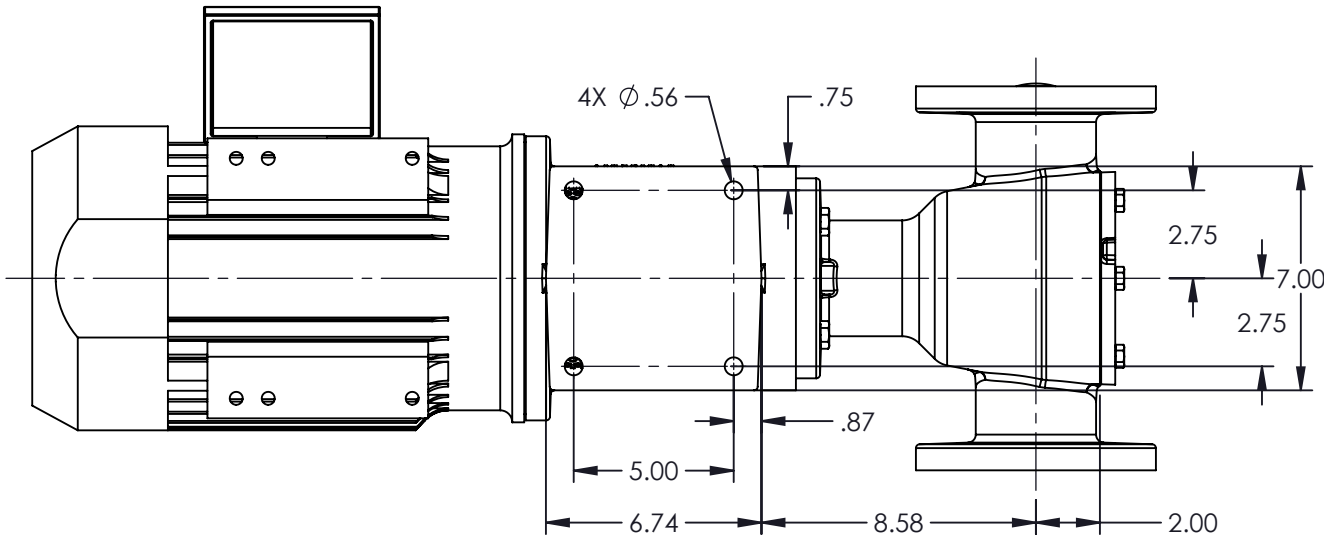
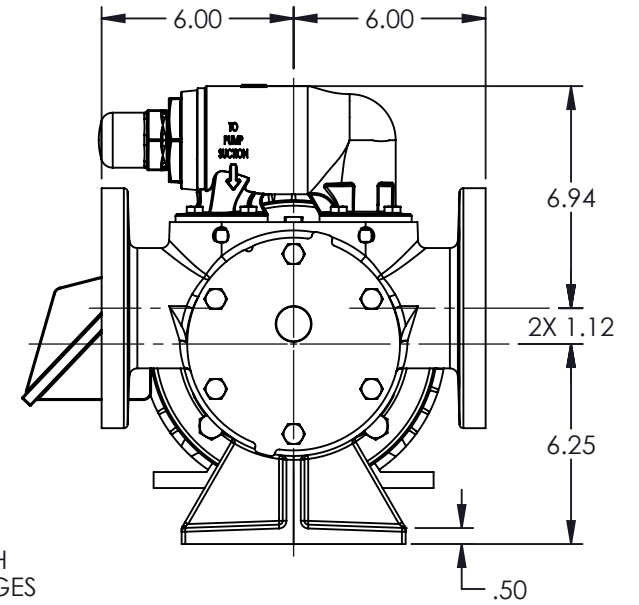


MOTOR: FRAMES  
182TC, 184TC,  
213TC, 215TC



PORTS: 2X 3" FLANGES  
SUITABLE FOR USE WITH  
CLASS 150 ANSI FLANGES



STANDARD MODELS: AS897-MDB15-M, AS897-MDB40-M, AK897-MDB15-M, AK897-MDB40-M

NOTES:  
1. ALL DIMENSIONS ARE FOR REFERENCE ONLY.

STATE	Released	11/22/2019
DRAWN	sjakel	09/19/2011
CHECKED	DTL	11/22/2019

DIMENSIONS ARE IN  
INCHES  
PROJECT:  
WAS:



VIKING PUMP, INC.  
A Unit of IDEX Corporation  
Cedar Falls, IA 50613  
U.S.A.

THIS DRAWING IS THE PROPERTY OF  
VIKING PUMP, INC. AND IS PROPRIETARY  
IN GENERAL AND DETAIL. IT SHALL NOT BE  
COPIED OR ITS CONTENTS REVEALED TO  
OUTSIDE PARTIES WITHOUT THE WRITTEN  
CONSENT OF VIKING PUMP, INC.

3D

DWG. NO.  
AV-601

SHEET 1 OF 1

REV. D.0

11/22/2019