

GENERAL ARRANGEMENT DETAILS

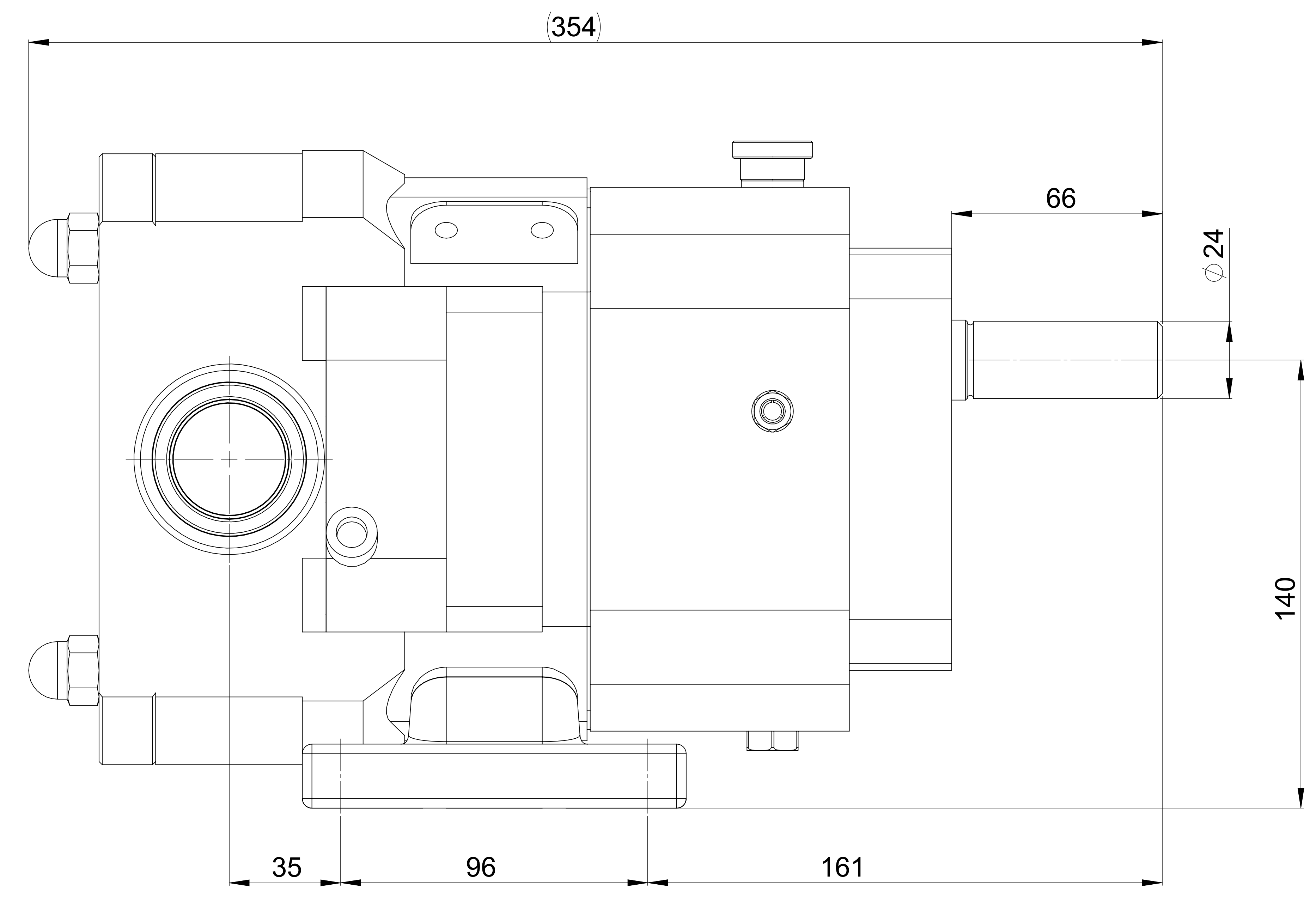
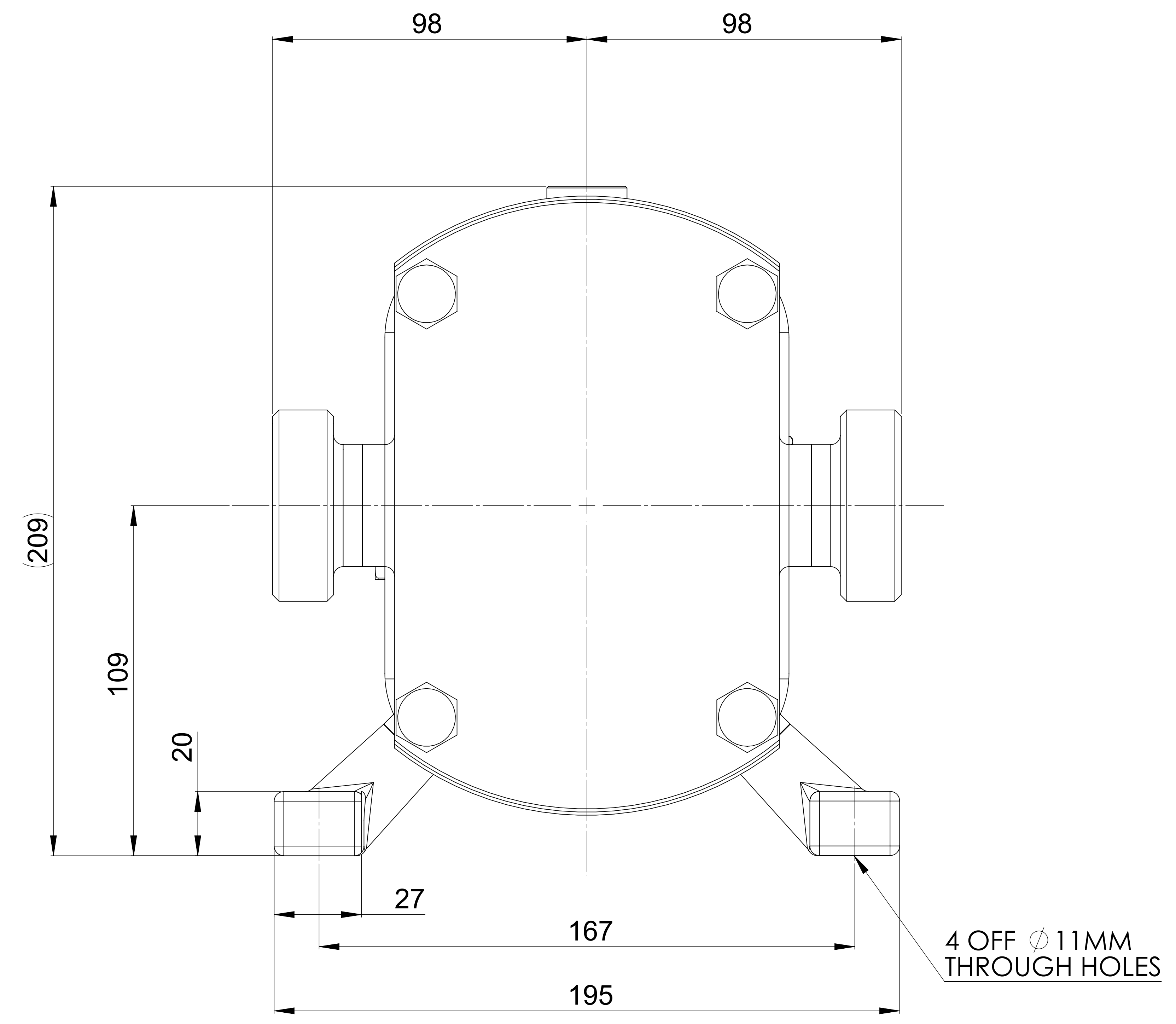
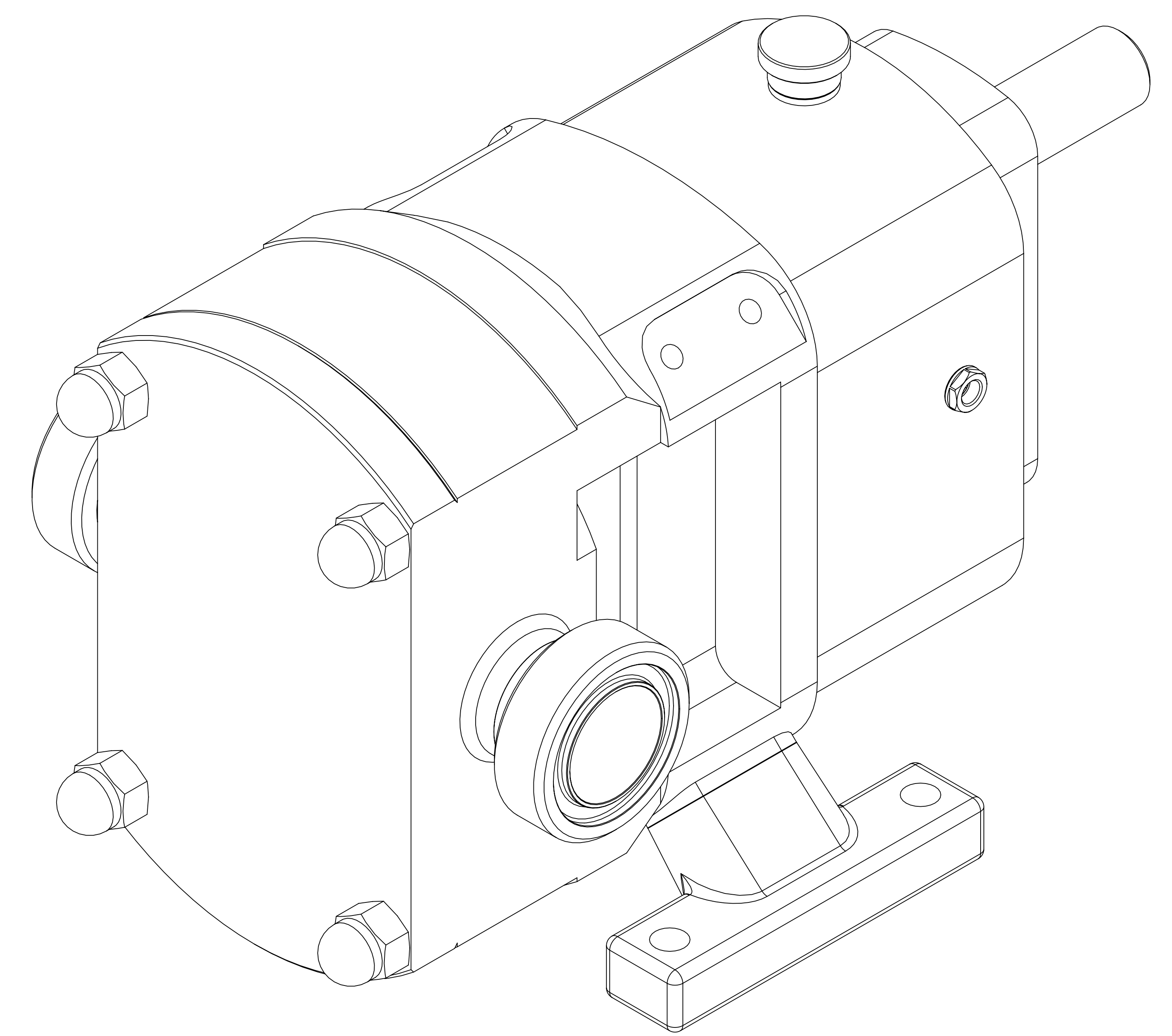
PUMP INFORMATION

PUMP MODEL	CP20/0020
INLET CONNECTION	1.5" SMS
OUTLET CONNECTION	1.5" SMS
SPECIAL FEATURES	

NOTE:- IN ORDER TO PROVIDE ADEQUATE RIGIDITY AND MAINTAIN COUPLING ALIGNMENT THIS BASE MUST BE MOUNTED APPROPRIATELY FOR ANTICIPATED FORCES. AFTER INSTALLATION COUPLING ALIGNMENT MUST BE CHECKED AND ADJUSTED AS NECESSARY

WHEN INSTALLING MOTORISED UNITS ALLOW A MINIMUM OF 100MM FROM THE REAR OF THE MOTOR COWEL TO ANY OBSTRUCTIONS

THIS IS NOT A CERTIFIED DRAWING, USE FOR GENERAL INSTALLATION ONLY



ISSUE	A	21/11/2012
AMENDMENT	ISSUE	DATE

wright flow
TECHNOLOGIES
 HIGHFIELD INDUSTRIAL ESTATE,
 EAST SUSSEX, BN23 6PT
 TEL: (+44) 1323 509211

COPYRIGHT:
 THIS DRAWING IS THE SOLE
 PROPERTY OF
WRIGHT FLOW TECHNOLOGIES LTD.
 IT MUST NOT BE COPIED OR USED
 IN PART OR FULL WITHOUT PRIOR
 WRITTEN CONSENT.

UNLESS OTHERWISE STATED:
 ALL DIMENSIONS ± 2.50
 ANGLES ± 2.0°
 DO NOT SCALE THIS DRAWING
 REMOVE BURRS AND SHARP EDGES
 DIMENSIONS IN MILLIMETRES
IF IN DOUBT ASK

PROJECTION	DRAWN	CHECKED
	IPJB	KCB

TITLE:	GENERAL ARRANGEMENT
DRG. NO:	GA3542