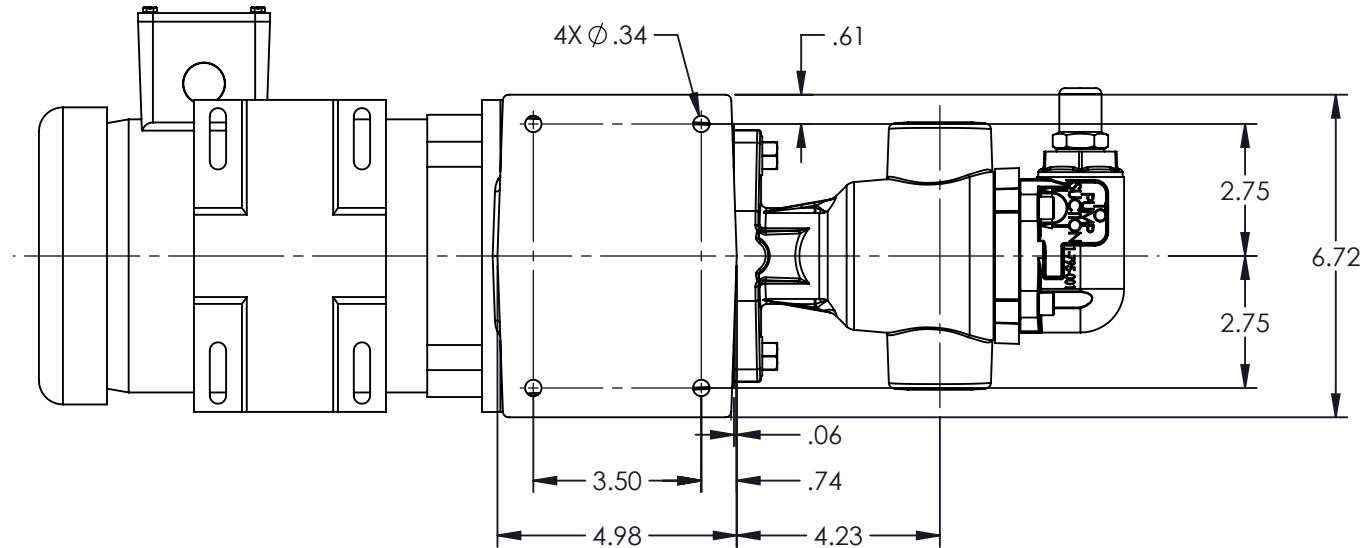
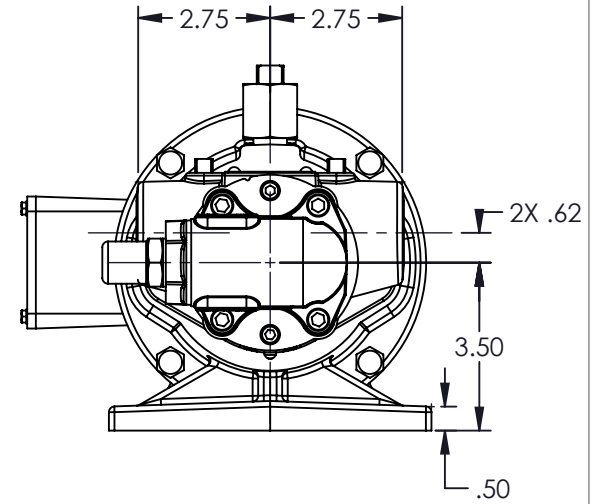
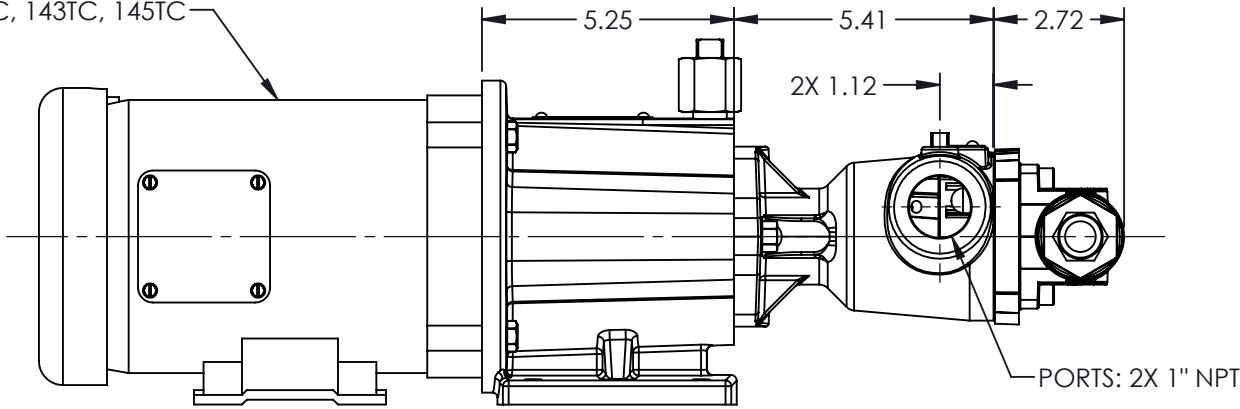


MOTOR: FRAMES
56C, 143TC, 145TC



STANDARD MODELS: GG895-MDA4-M, GG895-MDA9-M

NOTES:
1. ALL DIMENSIONS ARE FOR REFERENCE ONLY.

STATE	Released	11/22/2019
DRAWN	sjakel	09/10/2013
CHECKED	DTL	11/21/2019

DIMENSIONS ARE IN INCHES
PROJECT:
WAS:



VIKING PUMP, INC.
A Unit of IDEX Corporation
Cedar Falls, IA 50613
U.S.A.

THIS DRAWING IS THE PROPERTY OF
VIKING PUMP, INC. AND IS PROPRIETARY
IN GENERAL AND DETAIL. IT SHALL NOT BE
COPIED OR ITS CONTENTS REVEALED TO
OUTSIDE PARTIES WITHOUT THE WRITTEN
CONSENT OF VIKING PUMP, INC.

3D

DWG. NO.
GV-1265

SHEET 1 OF 1

REV. D.0

11/22/2019