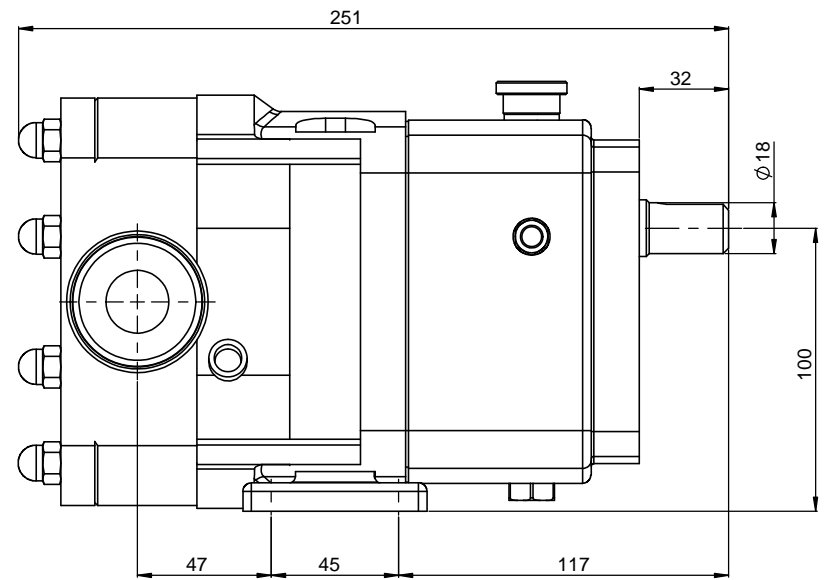
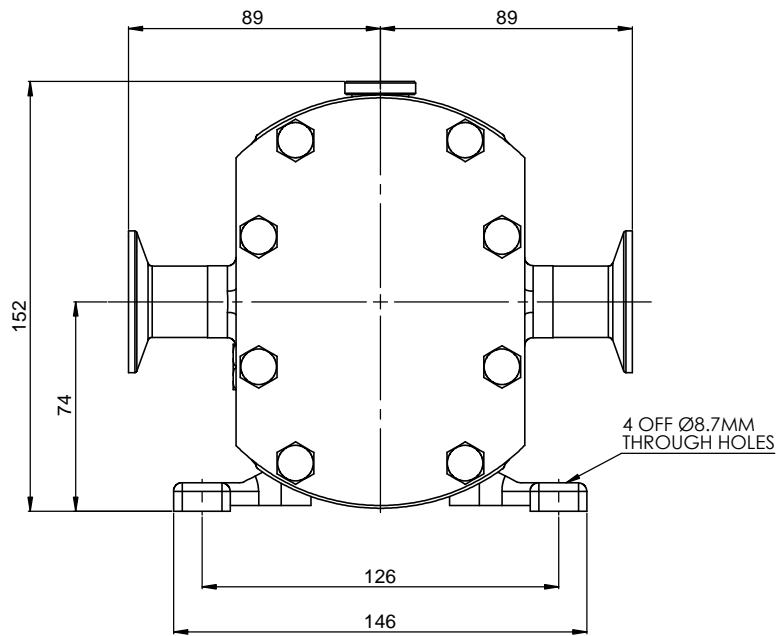
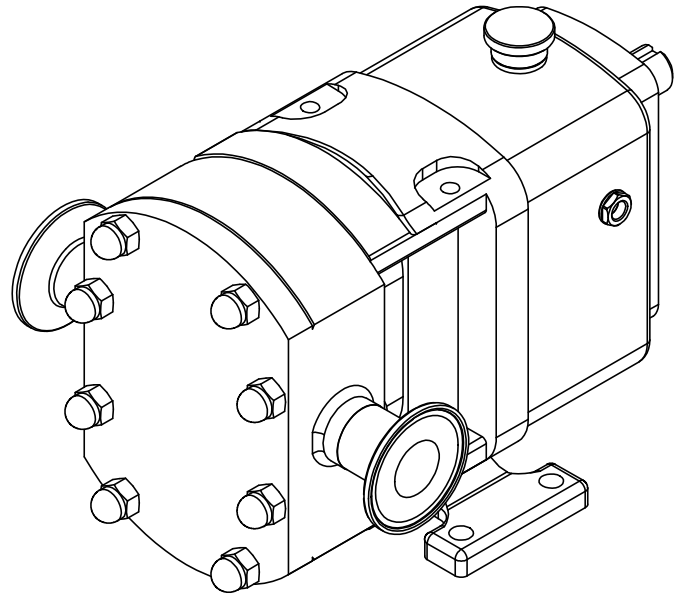


GENERAL ARRANGEMENT DETAILS	
PUMP INFORMATION	
PUMP MODEL	Multipump MP10/0005/12
INLET CONNECTION	1" Tri-Clamp (3A)
OUTLET CONNECTION	1" Tri-Clamp (3A)
SPECIAL FEATURES	

THIS IS NOT A CERTIFIED DRAWING, USE FOR GENERAL INSTALLATION ONLY



ISSUED	A	15/04/2016
AMENDMENT	ISSUE	DATE

 HIGHFIELD INDUSTRIAL ESTATE, EAST SUSSEX, BN23 6PT TEL: (+44) 1323 508211	<b>COPYRIGHT:</b> THIS DRAWING IS THE SOLE PROPERTY OF <b>WRIGHT FLOW TECHNOLOGIES LTD.</b> IT MUST NOT BE COPIED OR USED IN PART OR FULL WITHOUT PRIOR WRITTEN CONSENT.	UNLESS OTHERWISE STATED: ALL DIMENSIONS ± 2.50 ANGLES ±2.0° DO NOT SCALE THIS DRAWING REMOVE BURRS AND SHARP EDGES DIMENSIONS IN MILLIMETRES <b>IF IN DOUBT ASK</b>	PROJECTION	DRAWN	CHECKED	TITLE
				KCB	IPJB	GENERAL ARRANGEMENT GA3311