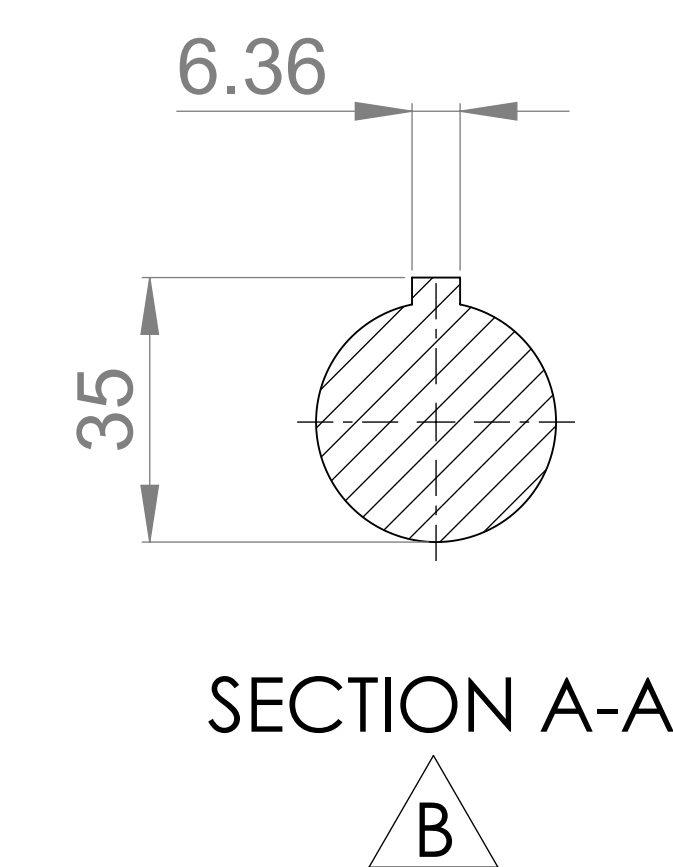
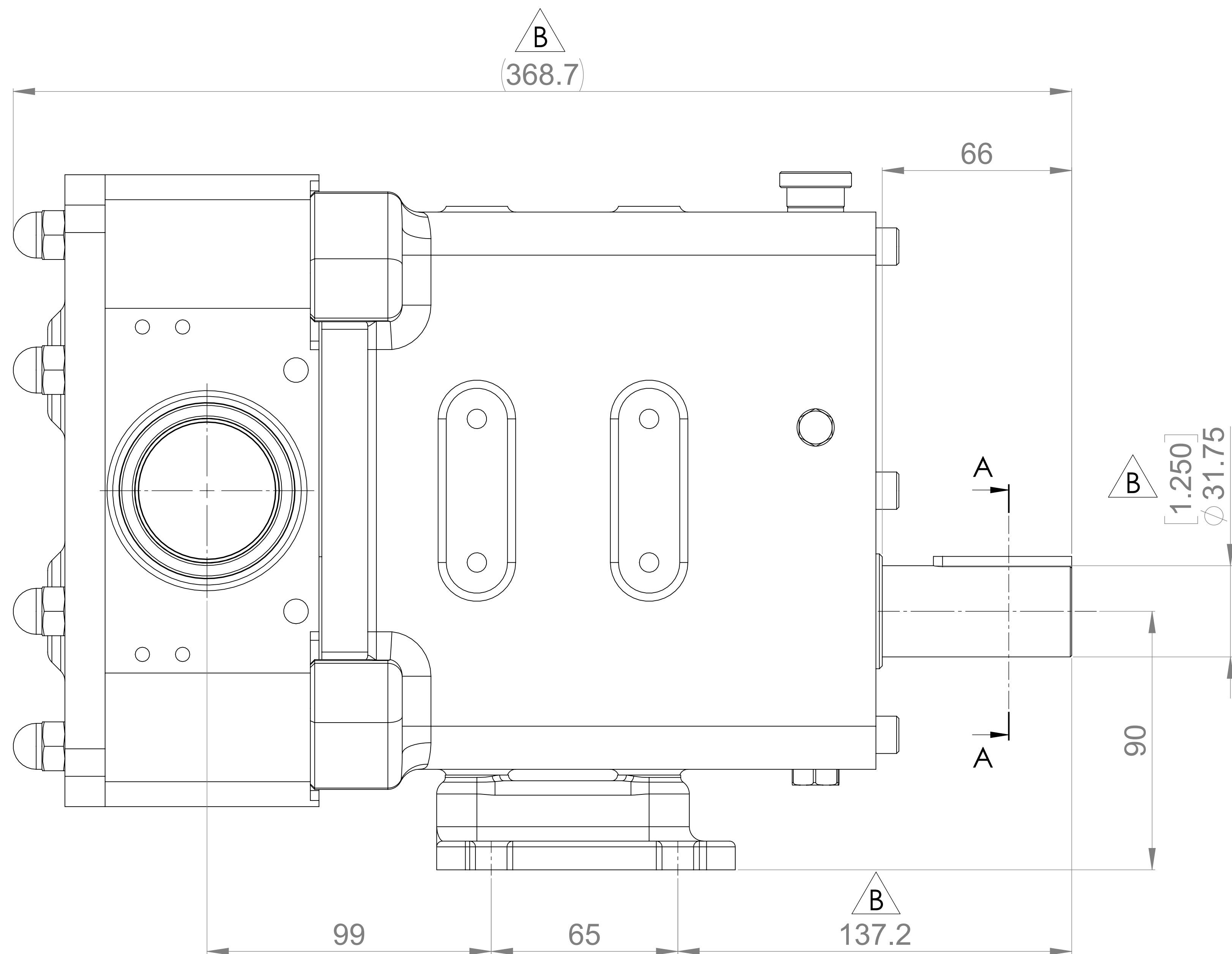
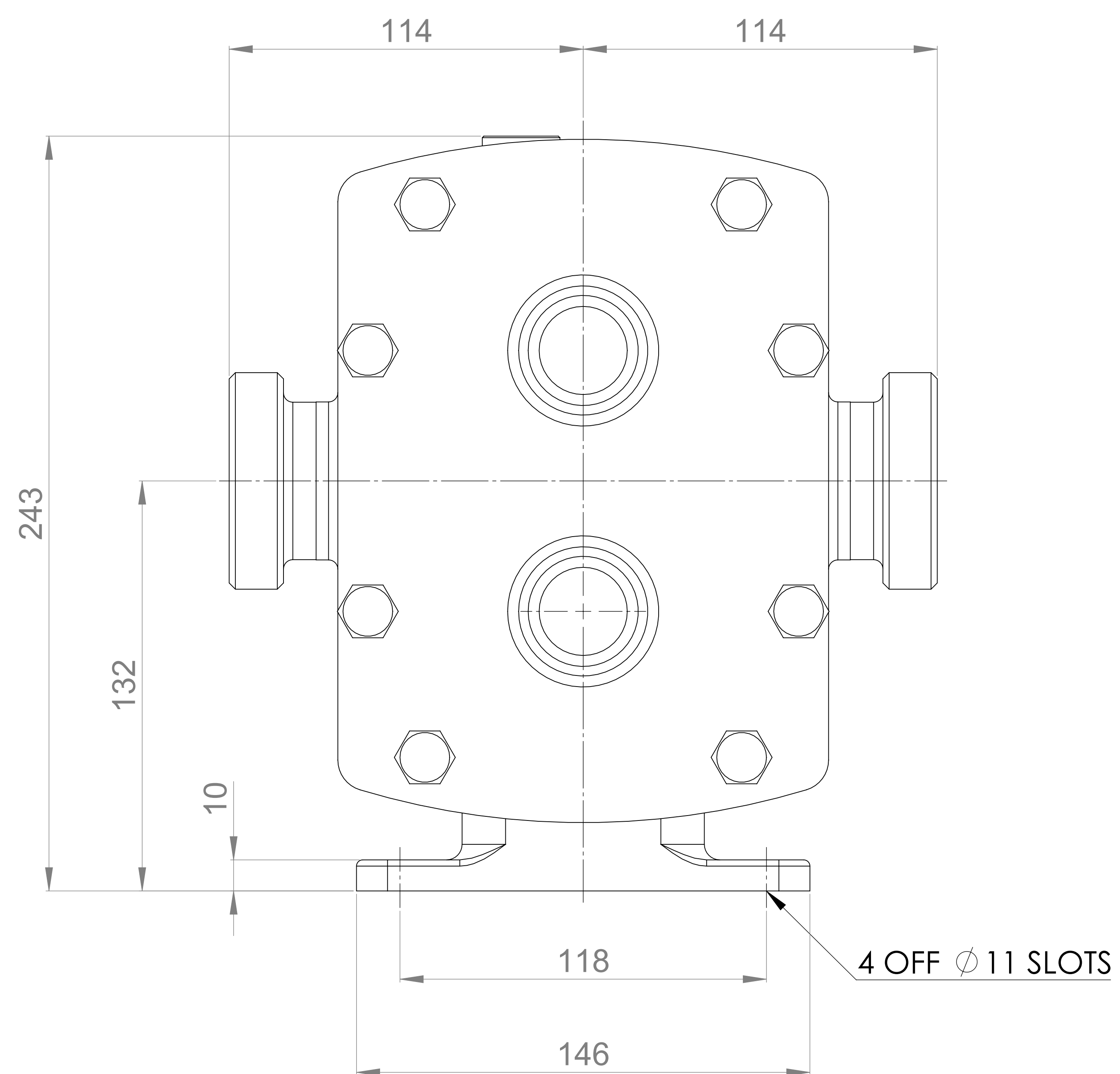
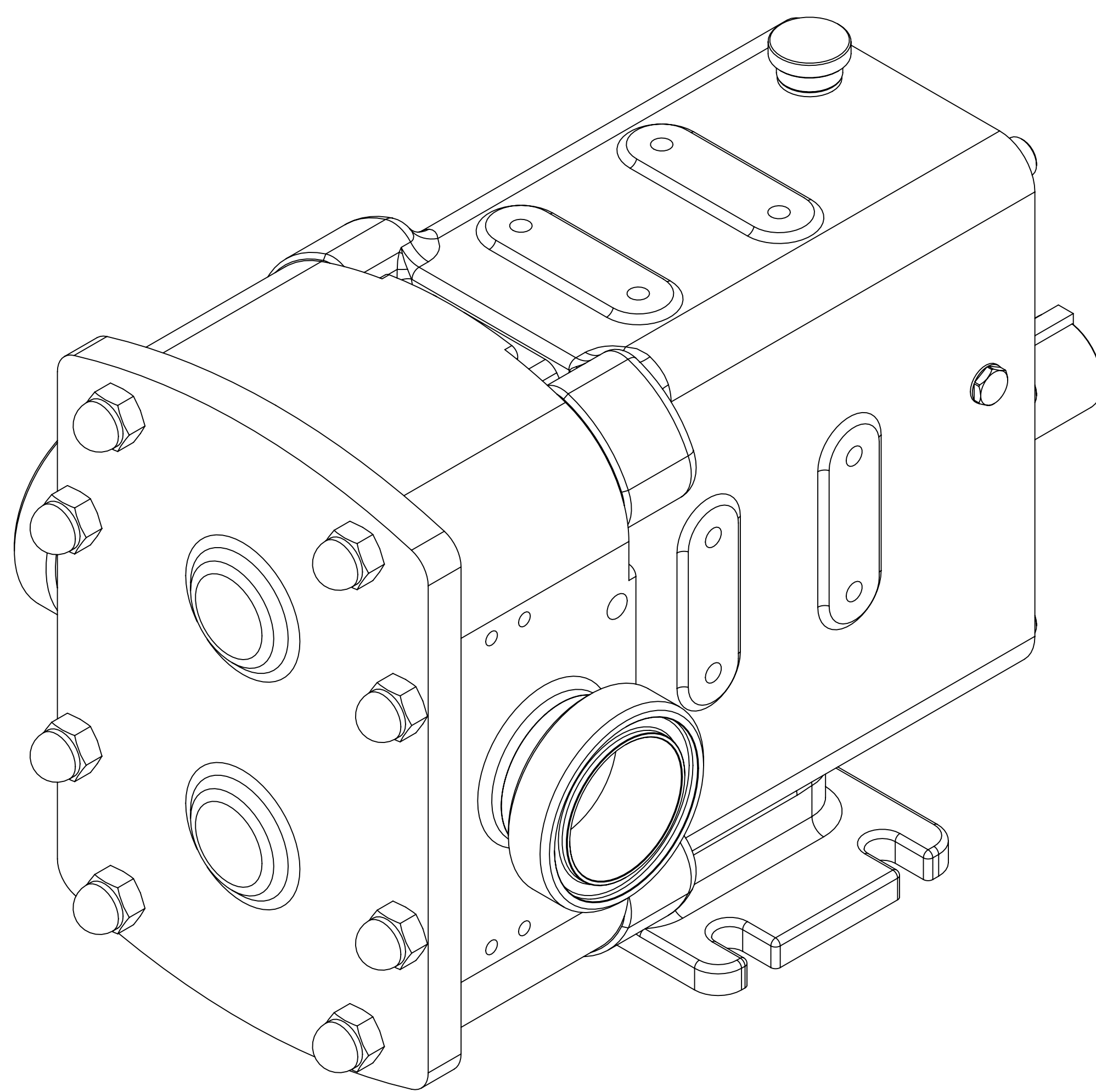


**GENERAL ARRANGEMENT DETAILS**

**PUMP INFORMATION**

PUMP MODEL	REVOLUTION - TWIN WING R0400X/14
LEFT/TOP CONNECTION	2" SMS MALE
RIGHT/BOTTOM CONNECTION	2" SMS MALE
DRIVE SHAFT POSITION	BOTTOM SHAFT DRIVE
FRONT COVER ADDITIONS	STANDARD
ROTORCASE ADDITIONS	STANDARD
GEARBOX ADDITIONS	STANDARD
PUMP ADDITIONS	STANDARD

THIS IS NOT A CERTIFIED DRAWING, USE FOR GENERAL INSTALLATION ONLY



UPDATED FORMAT AND PRECISION	B	24/09/2024
ISSUED	A	13/12/2019
AMENDMENT	ISSUE	DATE

<p>VIKING PUMP HYGIENIC</p> <p>HIGHFIELD INDUSTRIAL ESTATE, EASTBOURNE, EAST SUSSEX, BN23 6PT TEL: (+44) 1323 509211</p>	<p><b>COPYRIGHT:</b></p> <p>THIS DRAWING IS THE SOLE PROPERTY OF <b>VIKING PUMP HYGIENIC LTD.</b> IT MUST NOT BE COPIED OR USED IN PART OR FULL WITHOUT PRIOR WRITTEN CONSENT.</p>	<p>UNLESS OTHERWISE STATED: ALL DIMENSIONS ± 2.50 ANGLES ± 2.0° DO NOT SCALE THIS DRAWING REMOVE BURRS AND SHARP EDGES DIMENSIONS IN MILLIMETRES <b>IF IN DOUBT ASK</b></p>	PROJECTION	DRAWN	CHECKED	TITLE:
			IPJB	DJF	DRG. NO:	<b>GA4307</b>