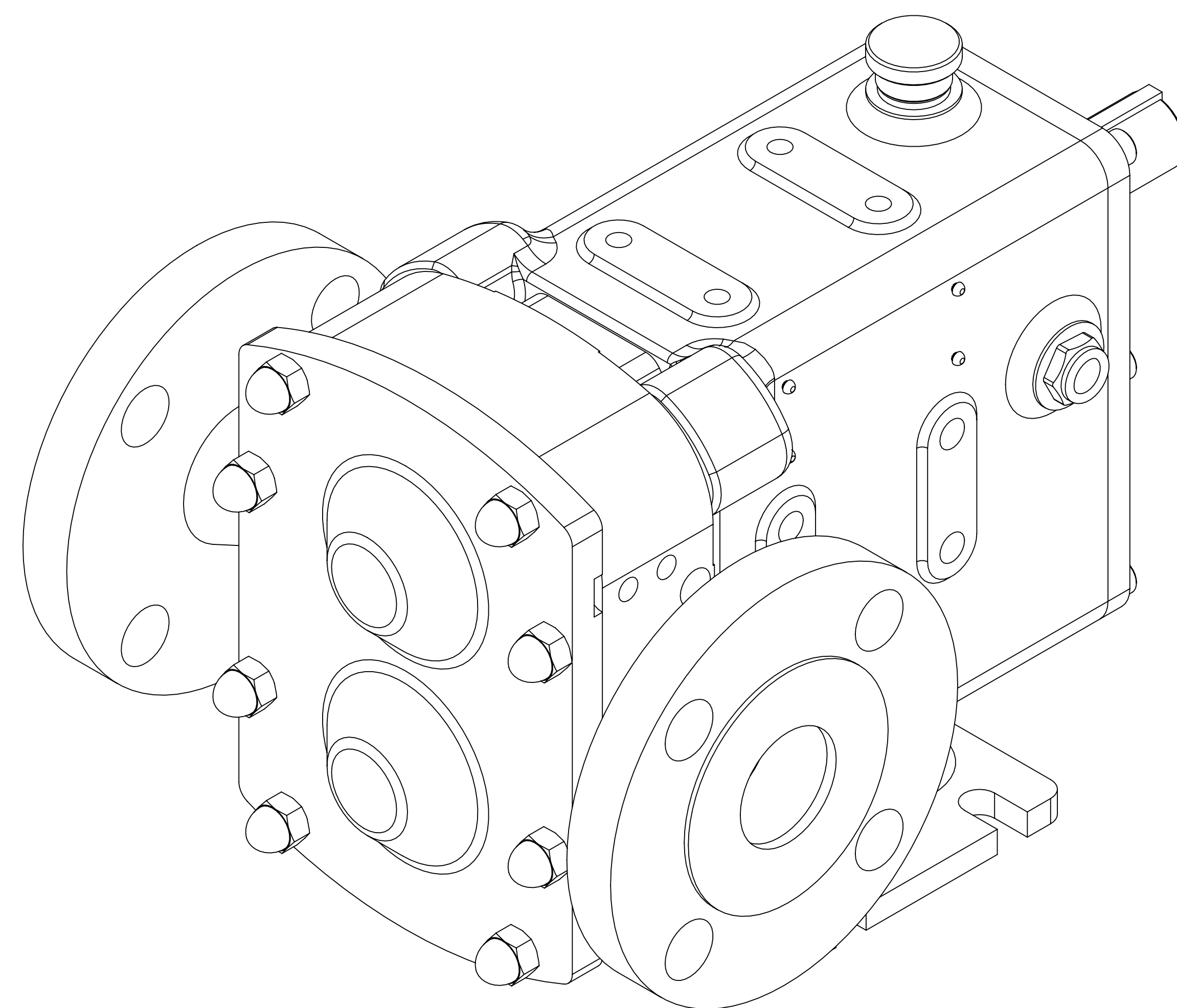


GENERAL ARRANGEMENT DETAILS

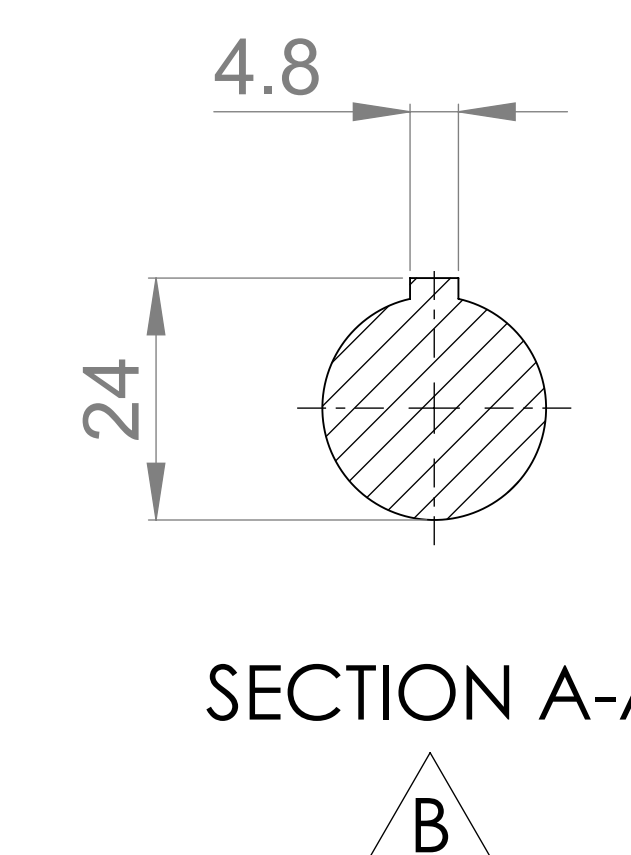
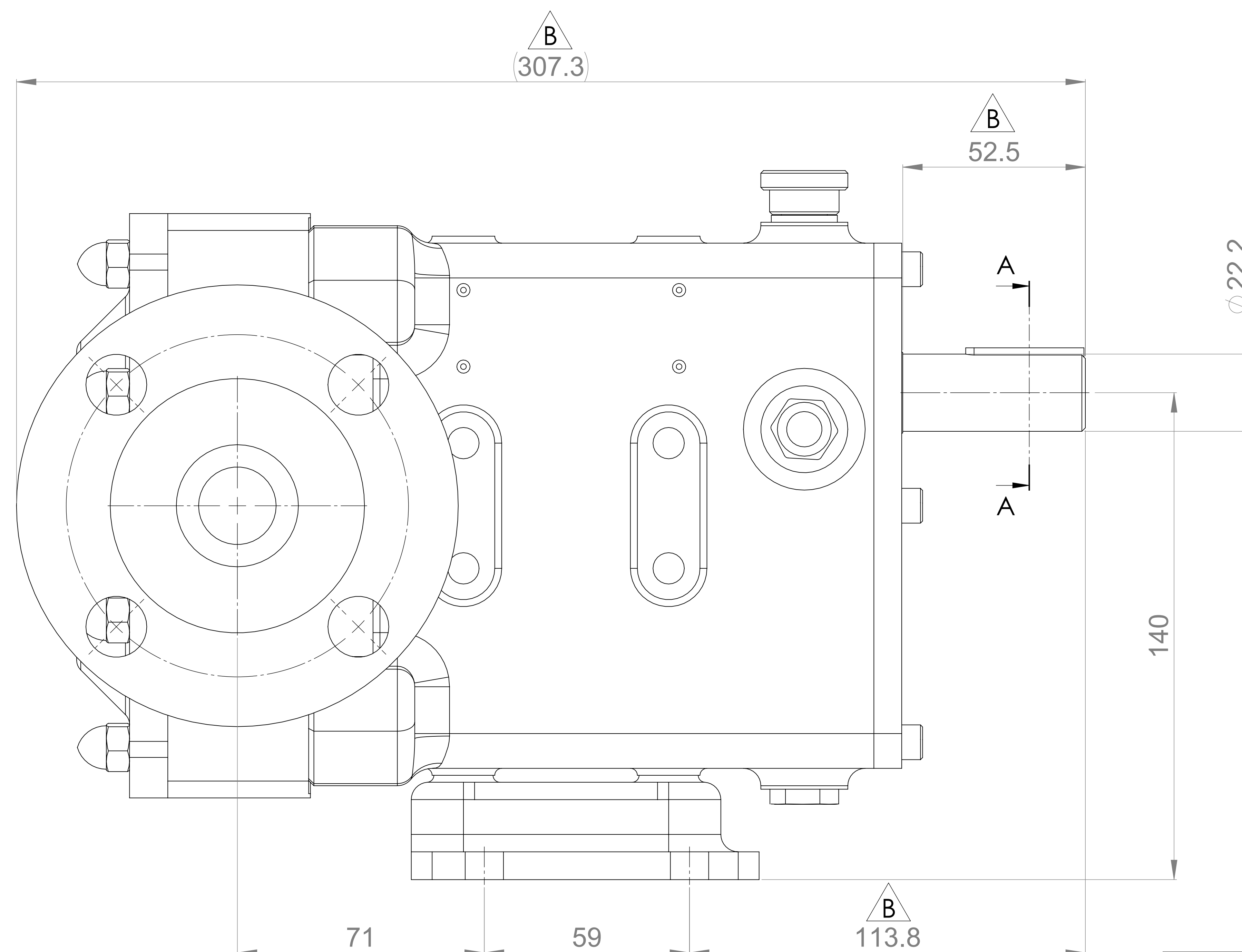
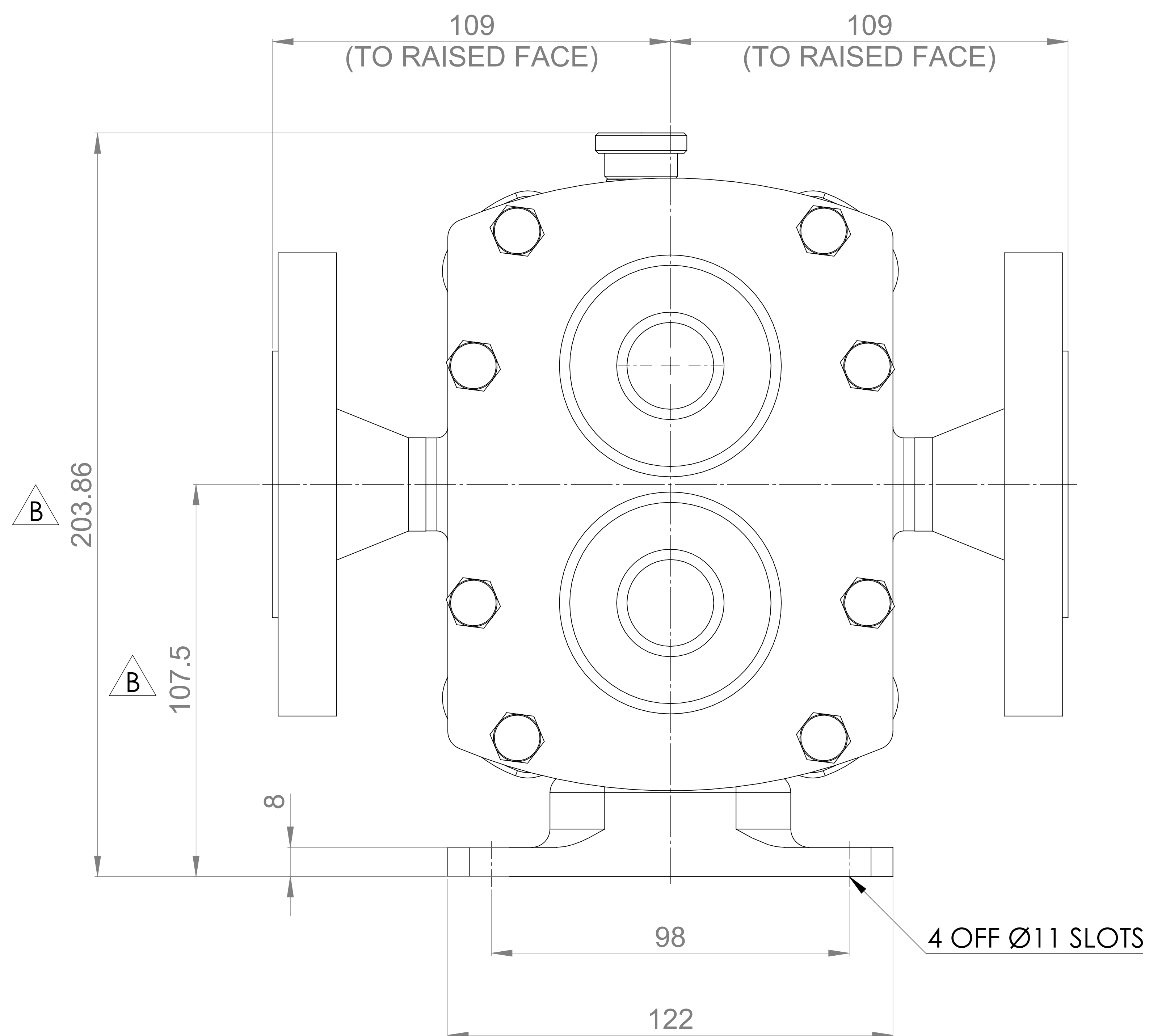
PUMP INFORMATION

PUMP MODEL	REVOLUTION - TWIN WING R0150X/21
LEFT/TOP CONNECTION	1.5" ASA/ANSI 150 lb RF
RIGHT/BOTTOM CONNECTION	1.5" ASA/ANSI 150 lb RF
DRIVE SHAFT POSITION	TOP SHAFT DRIVE
FRONT COVER ADDITIONS	STANDARD
ROTORCASE ADDITIONS	STANDARD
GEARBOX ADDITIONS	STANDARD
PUMP ADDITIONS	STANDARD

THIS IS NOT A CERTIFIED DRAWING, USE FOR GENERAL INSTALLATION ONLY



B



UPDATED FORMAT AND PRECISION	B	24/09/2024
ISSUED	A	08/10/2019
AMENDMENT	ISSUE	DATE

 HIGHFIELD INDUSTRIAL ESTATE, EAST SUSSEX, BN23 6PT TEL: (+44) 1323 509211	COPYRIGHT: THIS DRAWING IS THE SOLE PROPERTY OF VIKING PUMP HYGIENIC LTD. IT MUST NOT BE COPIED OR USED IN PART OR FULL WITHOUT PRIOR WRITTEN CONSENT.	UNLESS OTHERWISE STATED: ALL DIMENSIONS ± 2.50 ANGLES ± 2.0° DO NOT SCALE THIS DRAWING REMOVE BURRS AND SHARP EDGES DIMENSIONS IN MILLIMETRES IF IN DOUBT ASK	PROJECTION	DRAWN	CHECKED	TITLE:
				DSB	KCB	DRG. NO:
						GA4260