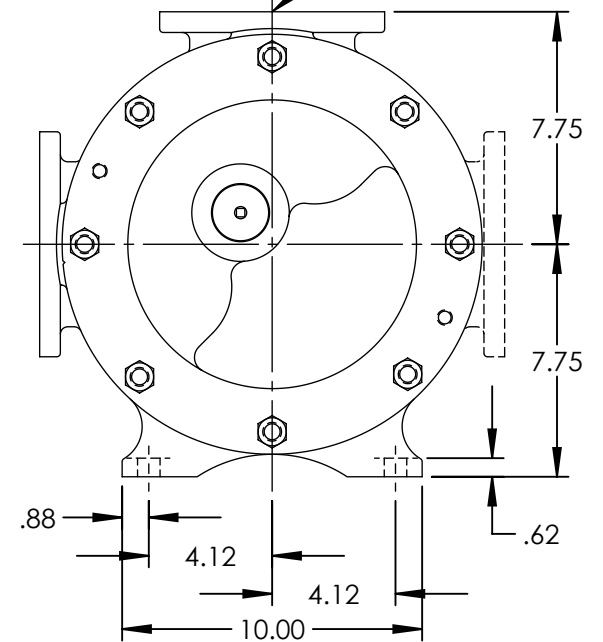
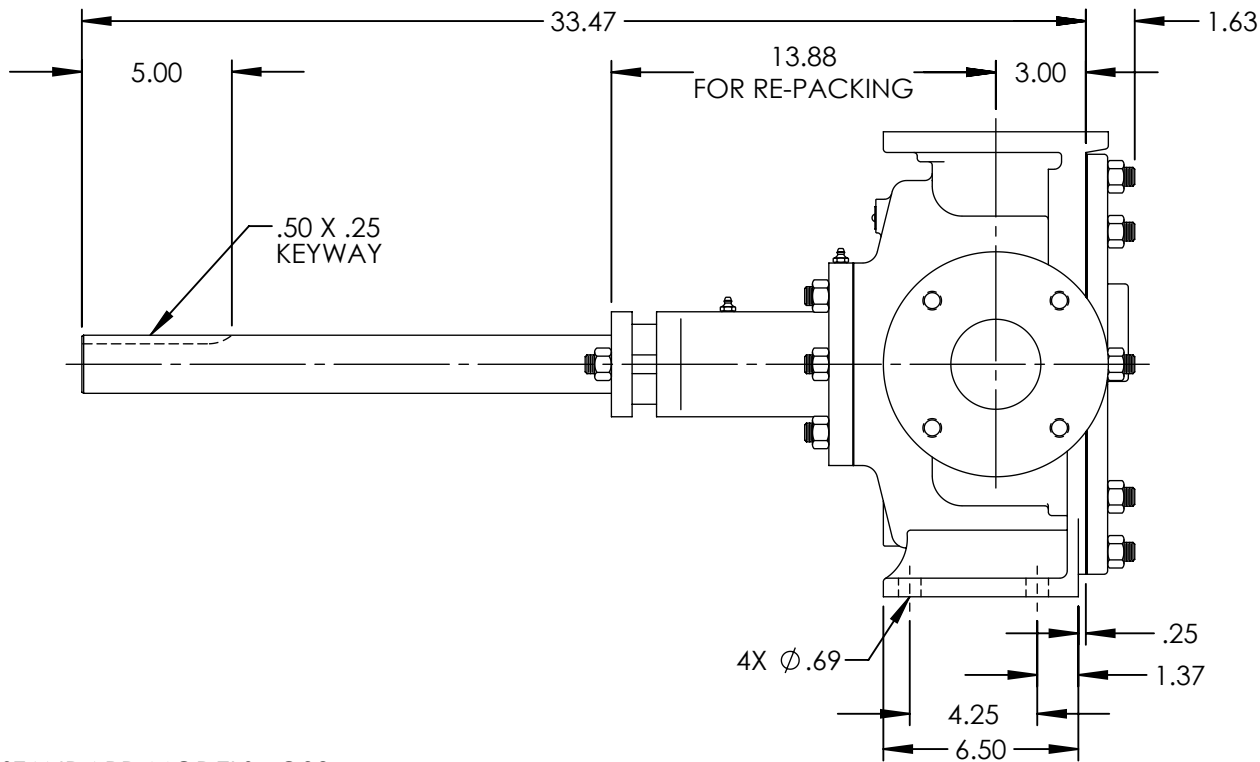


PORTS: 2X 3" FLANGES WITH STUDS AND NUTS (NOT SHOWN) SUITABLE FOR USE WITH CLASS 125 ANSI FLANGES



STANDARD MODELS: Q32

STATE	Released	01/12/2012
DRAWN	sjakel	01/09/2012
CHECKED	JAG	01/11/2012

DIMENSIONS ARE IN INCHES	
PROJECT:	
WAS:	



VIKING PUMP, INC.
A Unit of IDEX Corporation
Cedar Falls, IA 50613
U.S.A.

THIS DRAWING IS THE PROPERTY OF VIKING PUMP, INC. AND IS PROPRIETARY IN GENERAL AND DETAIL. IT SHALL NOT BE COPIED OR ITS CONTENTS REVEALED TO OUTSIDE PARTIES WITHOUT THE WRITTEN CONSENT OF VIKING PUMP, INC.

2D

DWG. NO.
QV-1992

SHEET 1 OF 1

REV. A.0

01/12/2012