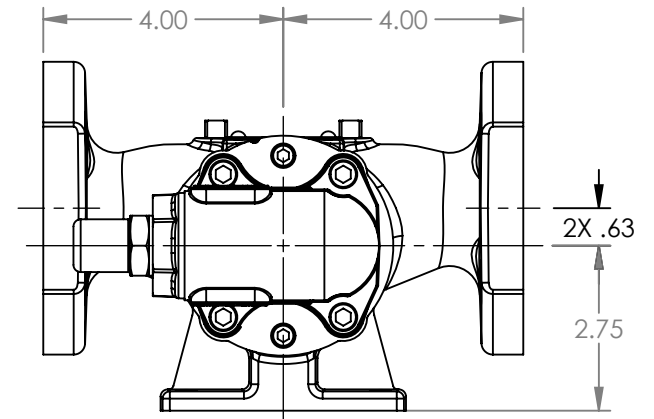
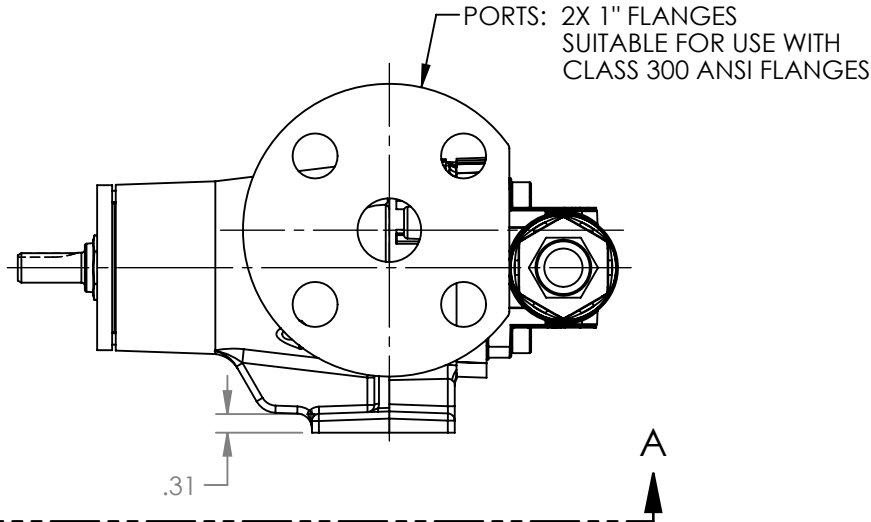
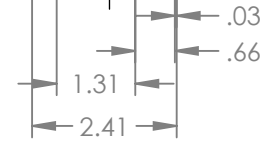


VIEW A-A



NOTES:  
1. ALL DIMENSIONS ARE FOR REFERENCE ONLY.

STANDARD MODEL: GG4193

STATE	Released	06/29/2022
DRAWN	sjakel	05/01/2019
CHECKED	GDJ	06/29/2022

DIMENSIONS ARE IN INCHES	
PROJECT:	
WAS:	



VIKING PUMP, INC.  
A Unit of IDEX Corporation  
Cedar Falls, IA 50613 U.S.A.  
VIKINGPUMP.COM

THIS DRAWING IS THE PROPERTY OF VIKING PUMP, INC. AND IS PROPRIETARY IN GENERAL AND DETAIL. IT SHALL NOT BE COPIED OR ITS CONTENTS REVEALED TO OUTSIDE PARTIES WITHOUT THE WRITTEN CONSENT OF VIKING PUMP, INC.

3D

DWG. NO.  
GV-1259

SHEET 1 OF 1

REV. F.0

06/29/2022