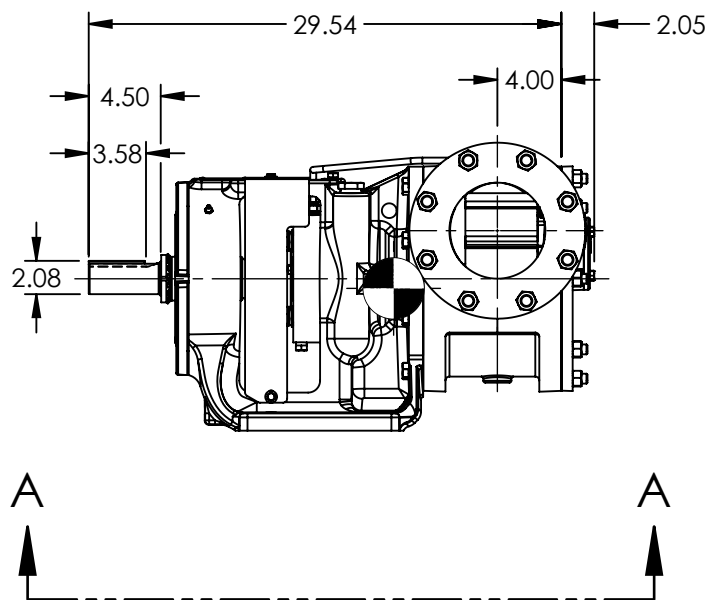
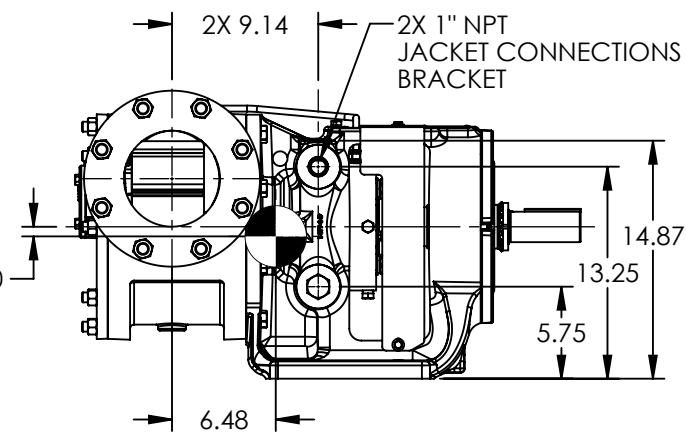
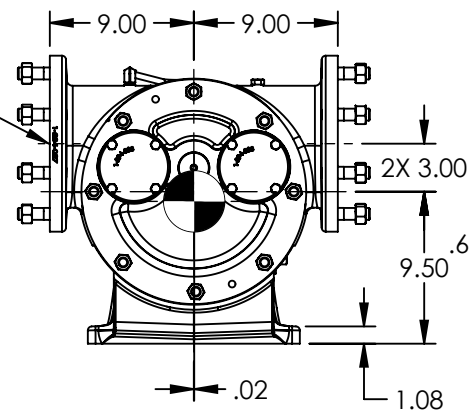


VIEW A-A



PORTS: 2X 6" FLANGES
SUITABLE FOR USE WITH
CLASS 150 ANSI FLANGES



- NOTES:
1. ALL DIMENSIONS ARE FOR REFERENCE ONLY.
 2. \ominus = CENTER OF GRAVITY.

STANDARD MODELS: QS4223AA

STATE	Released	06/06/2017
DRAWN	NBorglum	2/15/2017
CHECKED	SJJ	06/06/2017

DIMENSIONS ARE IN INCHES
PROJECT:
WAS:

**VIKING
PUMP**

VIKING PUMP, INC.
A Unit of IDEX Corporation
Cedar Falls, IA 50613
U.S.A.

THIS DRAWING IS THE PROPERTY OF
VIKING PUMP, INC. AND IS PROPRIETARY
IN GENERAL AND DETAIL. IT SHALL NOT BE
COPIED OR ITS CONTENTS REVEALED TO
OUTSIDE PARTIES WITHOUT THE WRITTEN
CONSENT OF VIKING PUMP, INC.

3D

DWG. NO.
QV-2127

SHEET 1 OF 1

REV. B.0

2/15/2017