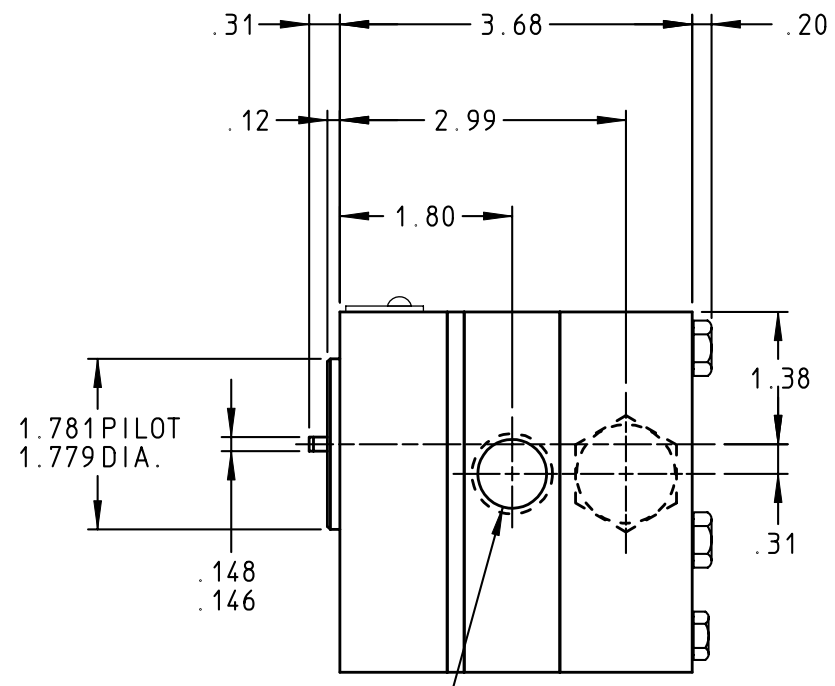
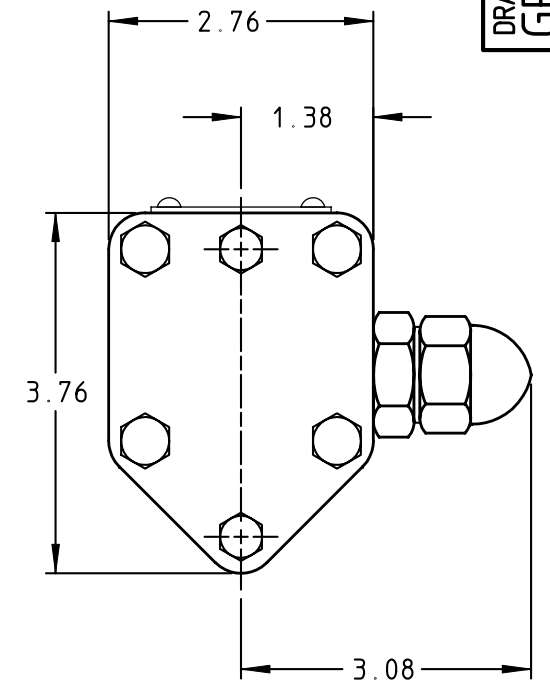


.34 DIA. (4)
DRILLED HOLES



PORTS: 1/2" NPT
(2) OPPOSITE



STANDARD MODELS: SG-0518-G0V, SG-0518-G1V

NOTE:
RELIEF VALVE IS SHOWN FOR
CLOCKWISE ROTATION. VALVE
IS ON OPPOSITE SIDE FOR
COUNTER CLOCKWISE ROTATION.

DRAWN JAKEL DATE 16 JUN 2005
CHECKED SJJ DATE 16 JUN 2005

THIS DRAWING IS THE PROPERTY OF VIKING PUMP
INC. AND IS PROPRIETARY IN GENERAL AND DETAIL.
IT SHALL NOT BE COPIED OR ITS CONTENTS
REVEALED TO OUTSIDE PARTIES WITHOUT THE
WRITTEN CONSENT OF VIKING PUMP INC.

VIKING PUMP
VIKING PUMP, INC.
A Unit of IDEX Corporation
Cedar Falls, Iowa 50613
U.S.A.

DRAWING NO.
GPV-0518-178

REV. A
16 JUN 2005