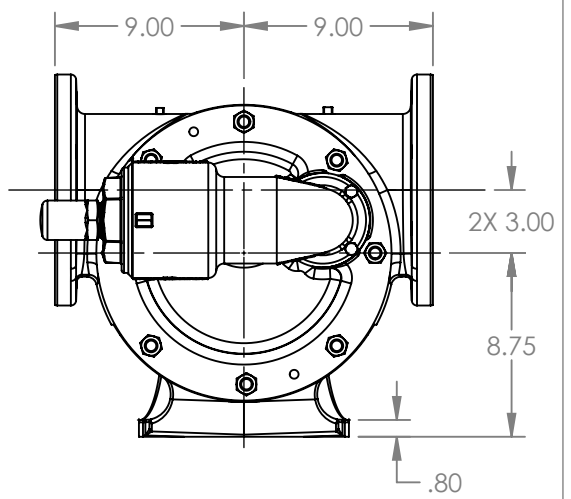
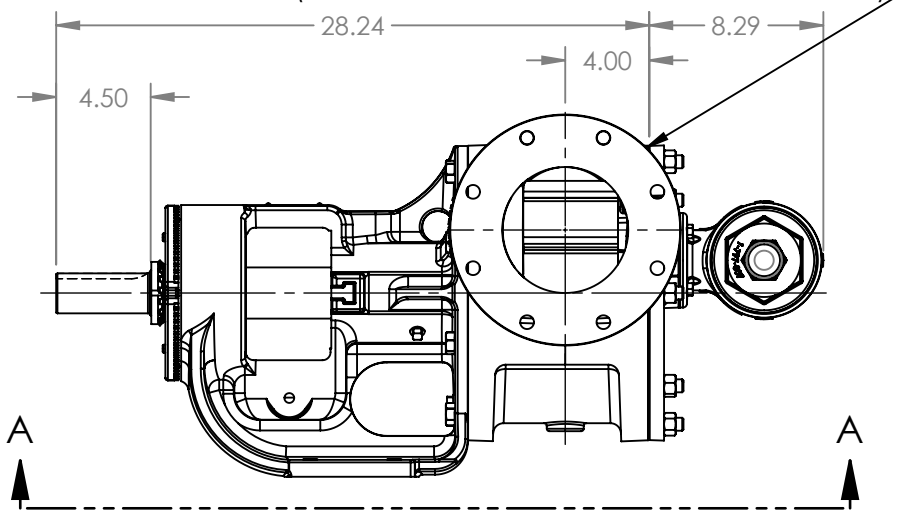


VIEW A-A

PORTS: 2X 6" FLANGES  
 STUDS AND NUTS (NOT SHOWN)  
 SUITABLE FOR USE WITH  
 CLASS 125 ANSI FLANGES  
 (124A, 1124A, 4124A, 4124B, 4624B)  
 CLASS 150 ANSI FLANGES  
 (123A, 4123A, 127A, 1127A, 4127A, 126A, 4126A)



STANDARD MODELS: QS123A, QS4123A, QS124A, QS1224A, QS4124A, QS126A,  
 QS4126A, QS127A, QS1127A, QS4127A, QS4124B, QS4624B

NOTES:  
 1. ALL DIMENSIONS ARE FOR REFERENCE ONLY.

STATE	Released	11/08/2019	DIMENSIONS ARE IN INCHES	<b>VIKING PUMP</b>	VIKING PUMP, INC. A Unit of IDEX Corporation Cedar Falls, IA 50613 U.S.A.	THIS DRAWING IS THE PROPERTY OF VIKING PUMP, INC. AND IS PROPRIETARY IN GENERAL AND DETAIL. IT SHALL NOT BE COPIED OR ITS CONTENTS REVEALED TO OUTSIDE PARTIES WITHOUT THE WRITTEN CONSENT OF VIKING PUMP, INC.	3D	DWG. NO.	SHEET 1 OF 1	REV. G.1	
DRAWN	DLende	2/8/2019						PROJECT:	QV-1537		
CHECKED	AA	11/08/2019						WAS:			11/08/2019