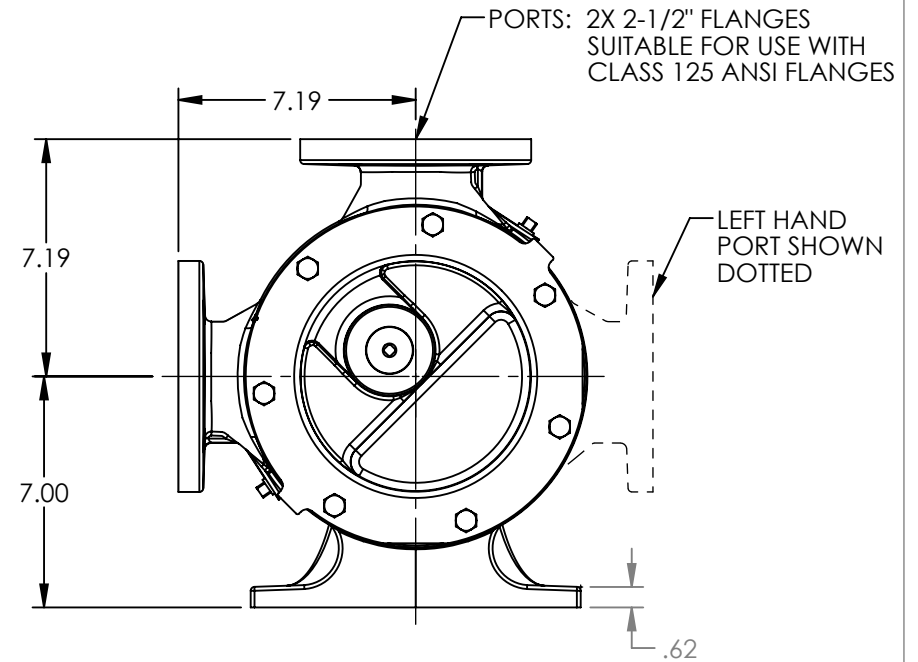
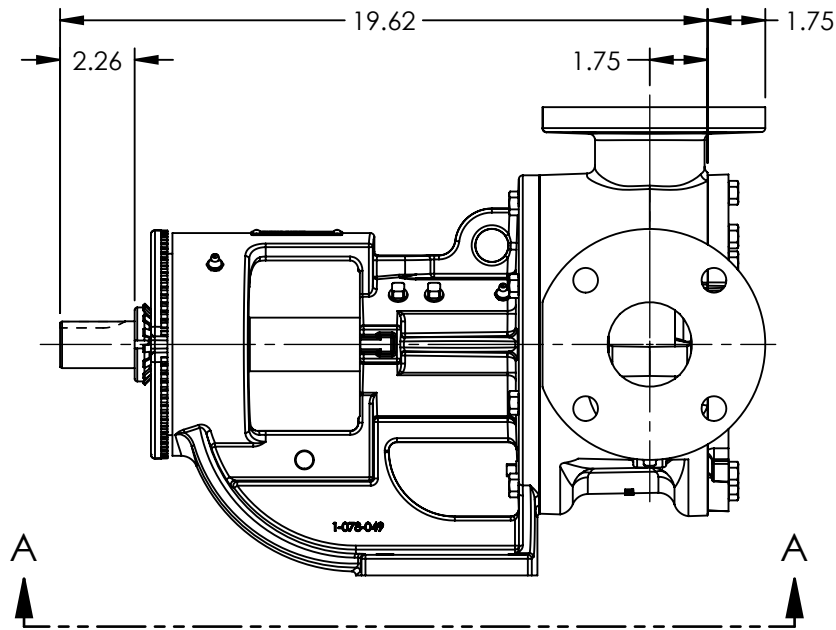



VIEW A-A



NOTES:
1. ALL DIMENSIONS ARE FOR REFERENCE ONLY.

STANDARD MODELS: LQ124AE, LQ1124AE, LQ4124AE, LQ4124B, LQ4624B

STATE	Released	11/08/2019	DIMENSIONS ARE IN INCHES		VIKING PUMP, INC. A Unit of IDEX Corporation Cedar Falls, IA 50613 U.S.A.	THIS DRAWING IS THE PROPERTY OF VIKING PUMP, INC. AND IS PROPRIETARY IN GENERAL AND DETAIL. IT SHALL NOT BE COPIED OR ITS CONTENTS REVEALED TO OUTSIDE PARTIES WITHOUT THE WRITTEN CONSENT OF VIKING PUMP, INC.	3D	DWG. NO.	SHEET 1 OF 1	REV. B.1
DRAWN	sjakel	05/03/2019	PROJECT:					LV-4158		
CHECKED	AA	11/08/2019	WAS:							11/08/2019