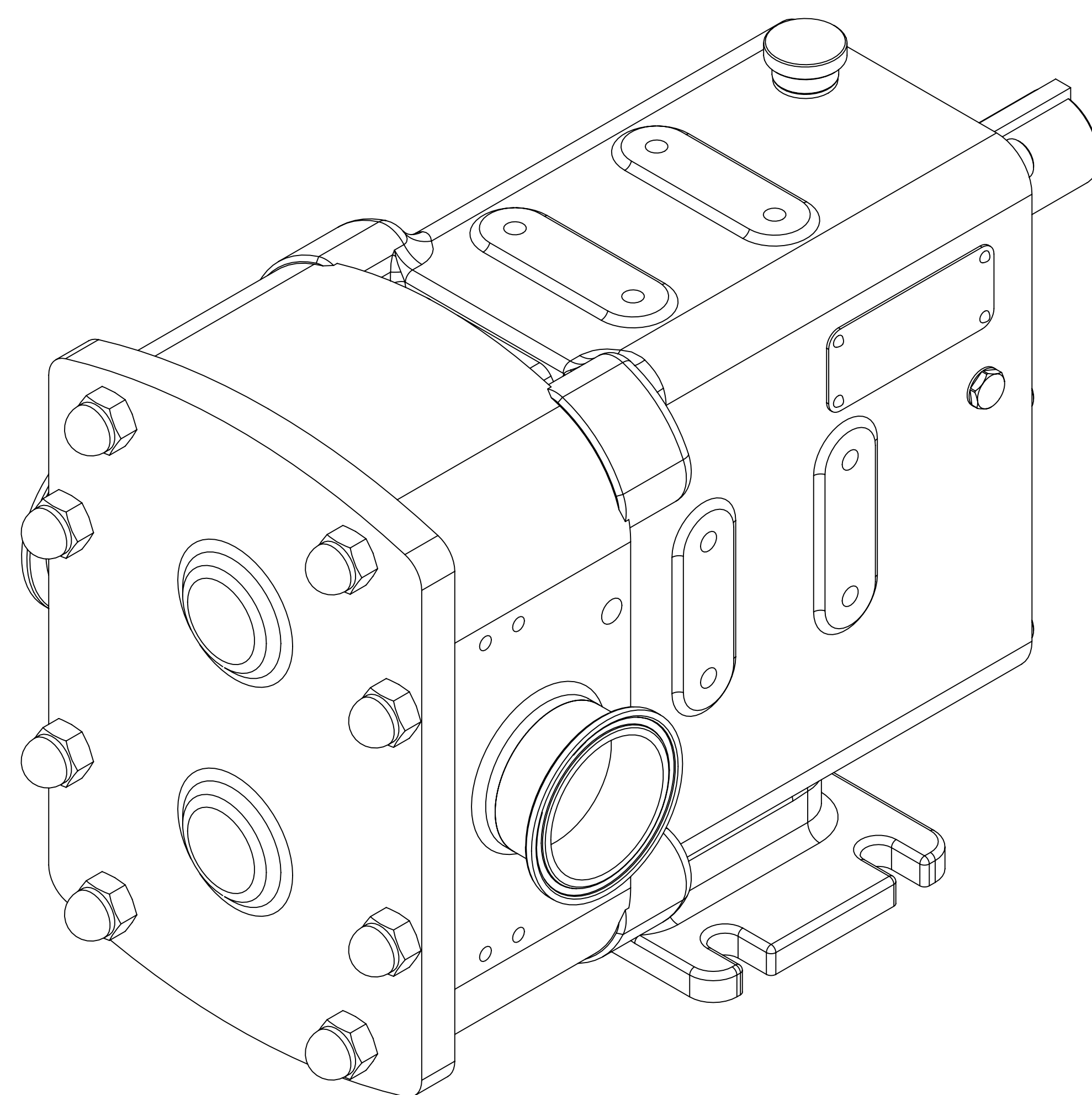


**GENERAL ARRANGEMENT DETAILS**

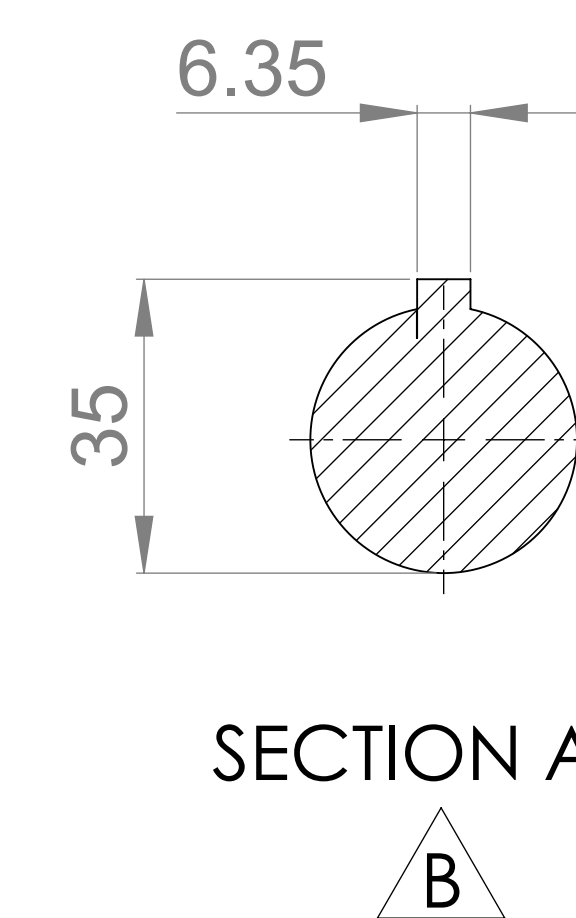
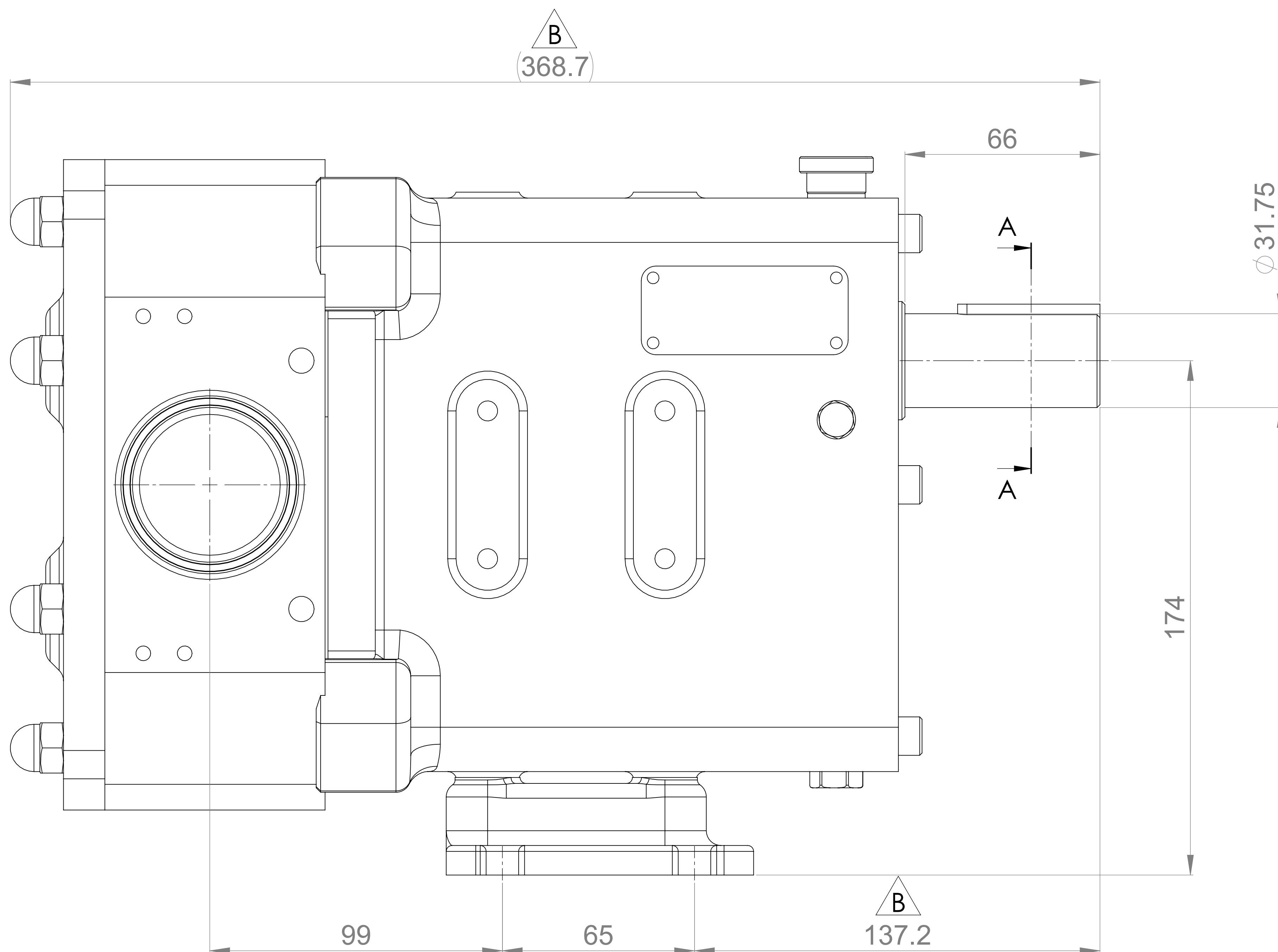
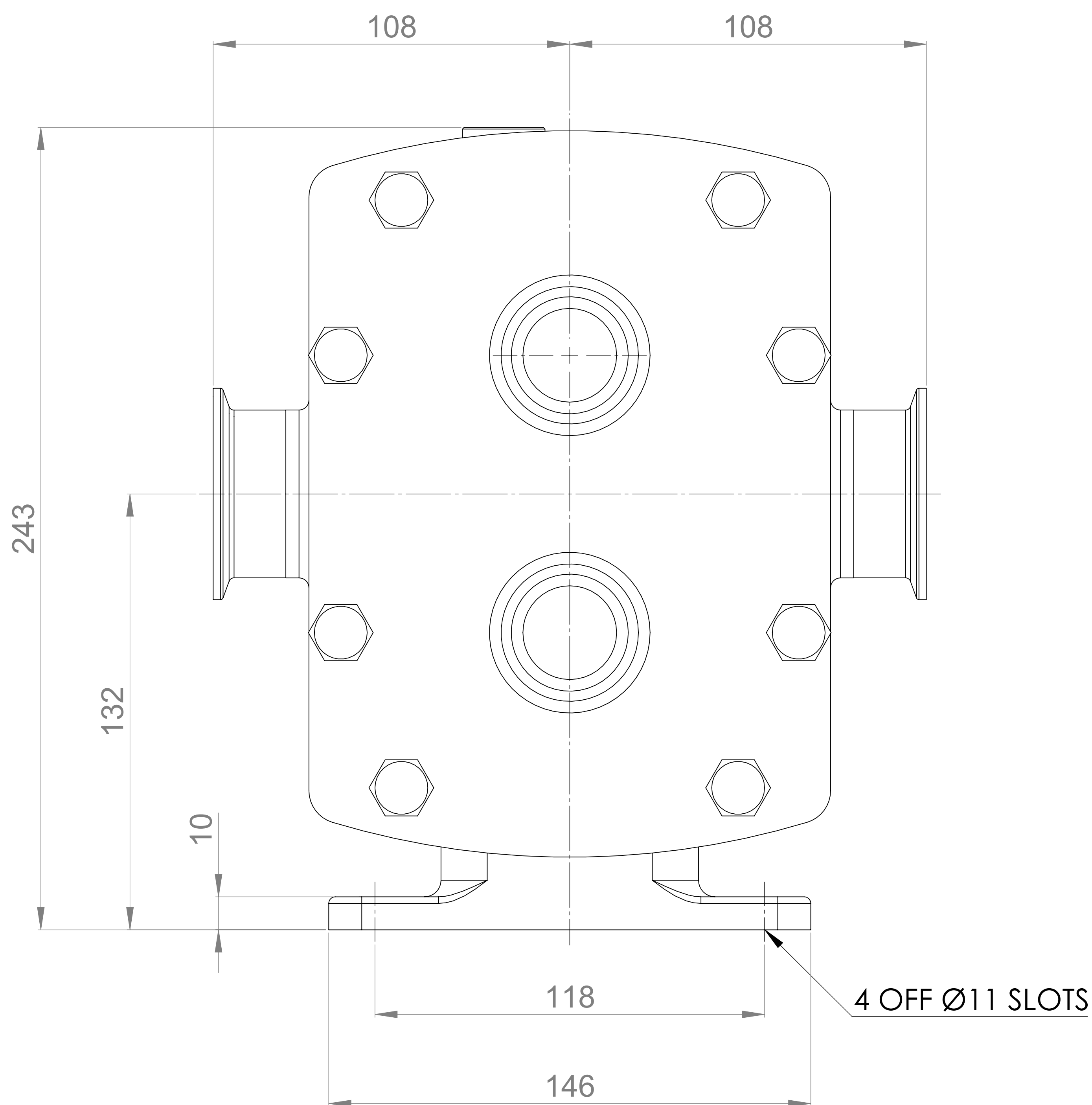
**PUMP INFORMATION**

PUMP MODEL	REVOLUTION - TWIN WING R0400X/14
LEFT/TOP CONNECTION	2" TRI-CLAMP
RIGHT/BOTTOM CONNECTION	2" TRI-CLAMP
DRIVE SHAFT POSITION	TOP SHAFT DRIVE
FRONT COVER ADDITIONS	STANDARD
ROTORCASE ADDITIONS	STANDARD
GEARBOX ADDITIONS	STANDARD
PUMP ADDITIONS	STANDARD

THIS IS NOT A CERTIFIED DRAWING, USE FOR GENERAL INSTALLATION ONLY



B



UPDATED FORMAT AND PRECISION	B	24/09/2024
ISSUED	A	24/10/2019
AMENDMENT	ISSUE	DATE

**VIKING PUMP**  
HYGIENIC  
HIGHFIELD INDUSTRIAL ESTATE,  
EASTBOURNE,  
EAST SUSSEX, BN23 6PT  
TEL: (+44) 1323 509211

**COPYRIGHT:**  
THIS DRAWING IS THE SOLE  
PROPERTY OF  
**VIKING PUMP HYGIENIC LTD.**  
IT MUST NOT BE COPIED OR USED  
IN PART OR FULL WITHOUT PRIOR  
WRITTEN CONSENT.

UNLESS OTHERWISE STATED:  
ALL DIMENSIONS ± 2.50  
ANGLES ± 2.0°  
DO NOT SCALE THIS DRAWING  
REMOVE BURRS AND SHARP EDGES  
DIMENSIONS IN MILLIMETRES  
**IF IN DOUBT ASK**

PROJECTION	DRAWN	CHECKED
	DSB	MJAJ

TITLE:	GENERAL ARRANGEMENT
DRG. NO:	<b>GA4269</b>