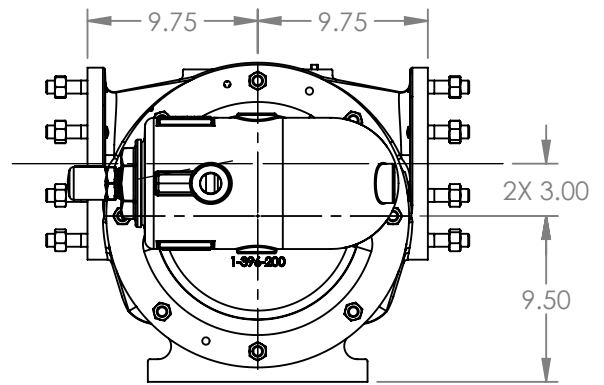
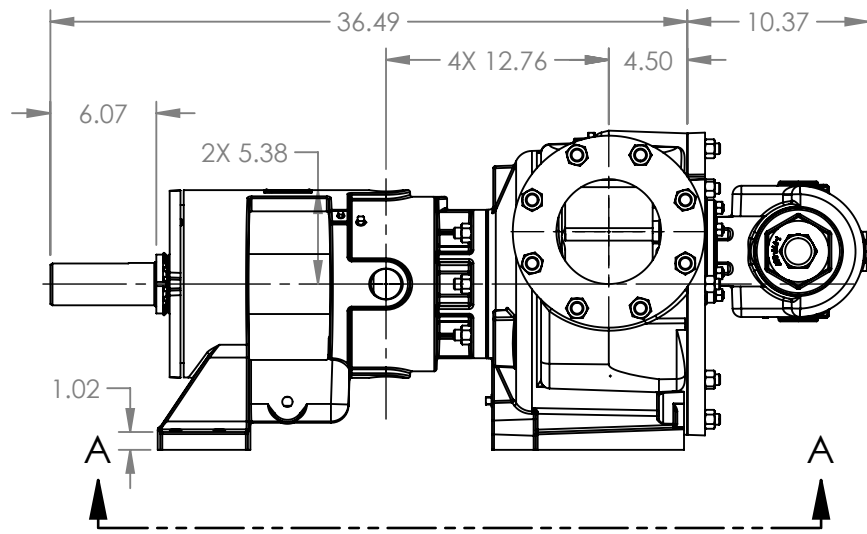


PORTS: 2X 6" FLANGES  
 SUITABLE FOR USE WITH  
 CLASS 125 ANSI FLANGES  
 (324A, 1324A, 4324A)  
 CLASS 150 ANSI FLANGES  
 (323A, 4323A, 327A, 1327A, 4327A, 1327A)

VIEW A-A



NOTES:  
 1. ALL DIMENSIONS ARE FOR REFERENCE ONLY.

STANDARD MODELS: N324A, N1324A, N4324A, N323A, N4323A, N327A, N1327A, N4327A, N1327A

STATE	Released	02/18/2020
DRAWN	AJohnson	2/10/2020
CHECKED	AA	02/18/2020

DIMENSIONS ARE IN INCHES

PROJECT:

WAS:



VIKING PUMP, INC.  
 A Unit of IDEX Corporation  
 Cedar Falls, IA 50613  
 U.S.A.

THIS DRAWING IS THE PROPERTY OF VIKING PUMP, INC. AND IS PROPRIETARY IN GENERAL AND DETAIL. IT SHALL NOT BE COPIED OR ITS CONTENTS REVEALED TO OUTSIDE PARTIES WITHOUT THE WRITTEN CONSENT OF VIKING PUMP, INC.

3D

DWG. NO.  
 NV-702

SHEET 1 OF 1

REV. A.0  
 02/18/2020