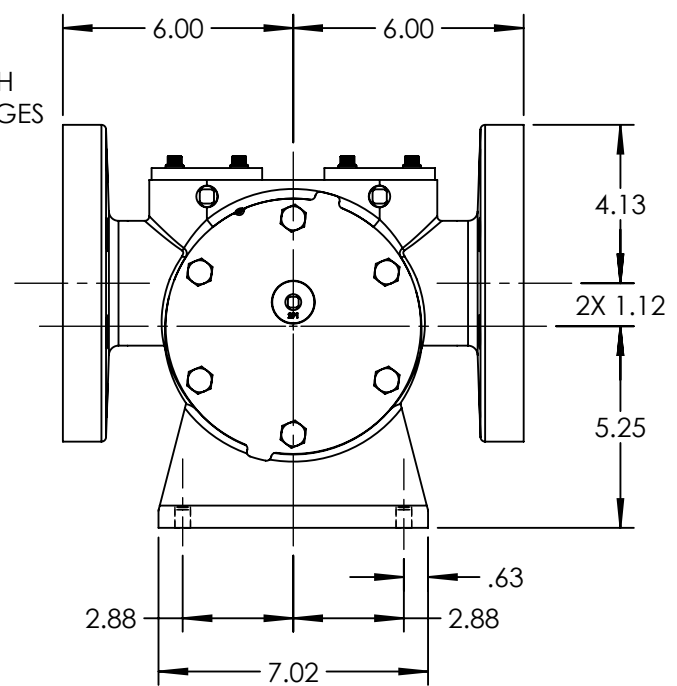


PORTS: 2X 3" FLANGES
SUITABLE FOR USE WITH
CLASS 300 ANSI FLANGES



NOTES:
1. ALL DIMENSIONS ARE FOR REFERENCE ONLY.

STANDARD MODELS: AS4193, AK4193

STATE	Released	07/31/2015
DRAWN	jblount	7/30/2015
CHECKED	BAM	07/30/2015

DIMENSIONS ARE IN
INCHES

PROJECT:

WAS:



VIKING PUMP, INC.
A Unit of IDEX Corporation
Cedar Falls, IA 50613
U.S.A.

THIS DRAWING IS THE PROPERTY OF
VIKING PUMP, INC. AND IS PROPRIETARY
IN GENERAL AND DETAIL. IT SHALL NOT BE
COPIED OR ITS CONTENTS REVEALED TO
OUTSIDE PARTIES WITHOUT THE WRITTEN
CONSENT OF VIKING PUMP, INC.

3D

DWG. NO.
AV-792

SHEET 1 OF 1

REV. B.0
07/31/2015