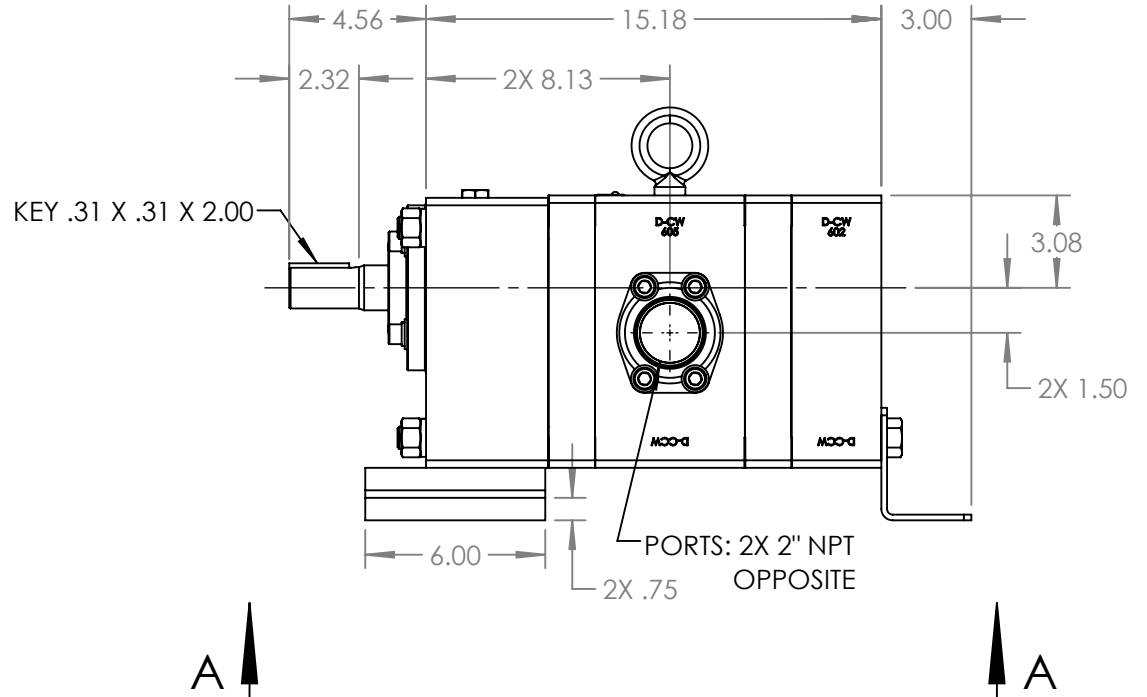
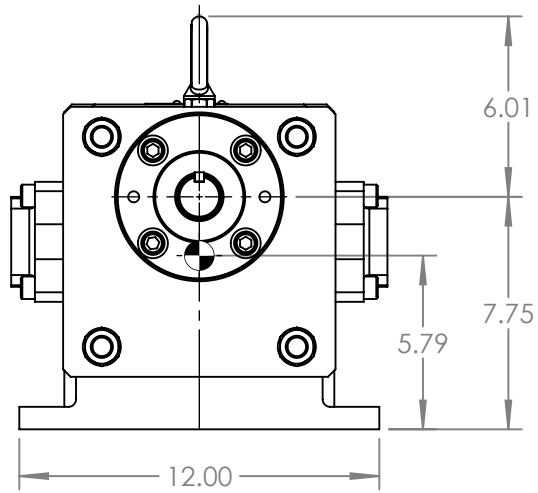


VIEW A-A



NOTES:

1. ALL DIMENSIONS ARE FOR REFERENCE ONLY.

MODELS: GL-41430-G0B, GL-41430-G1B

STATE	Released	02/03/2020
DRAWN	bmanternach	1/31/2020
CHECKED	MEW	02/03/2020

DIMENSIONS ARE IN INCHES
PROJECT: E299
WAS:



VIKING PUMP, INC.
A Unit of IDEX Corporation
Cedar Falls, IA 50613
U.S.A.

THIS DRAWING IS THE PROPERTY OF VIKING PUMP, INC. AND IS PROPRIETARY IN GENERAL AND DETAIL. IT SHALL NOT BE COPIED OR ITS CONTENTS REVEALED TO OUTSIDE PARTIES WITHOUT THE WRITTEN CONSENT OF VIKING PUMP, INC.

3D

DWG. NO. GPV-1430-041-U
SHEET 1 OF 1

REV. A.0
02/03/2020