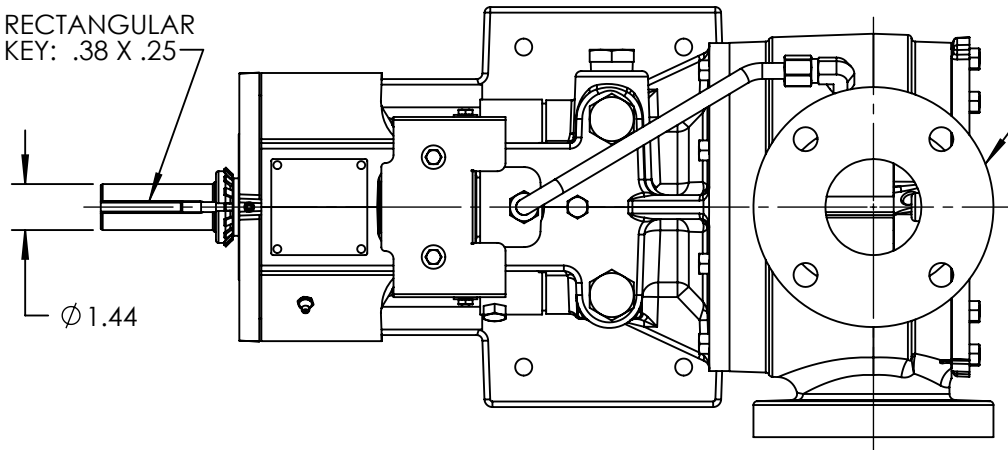
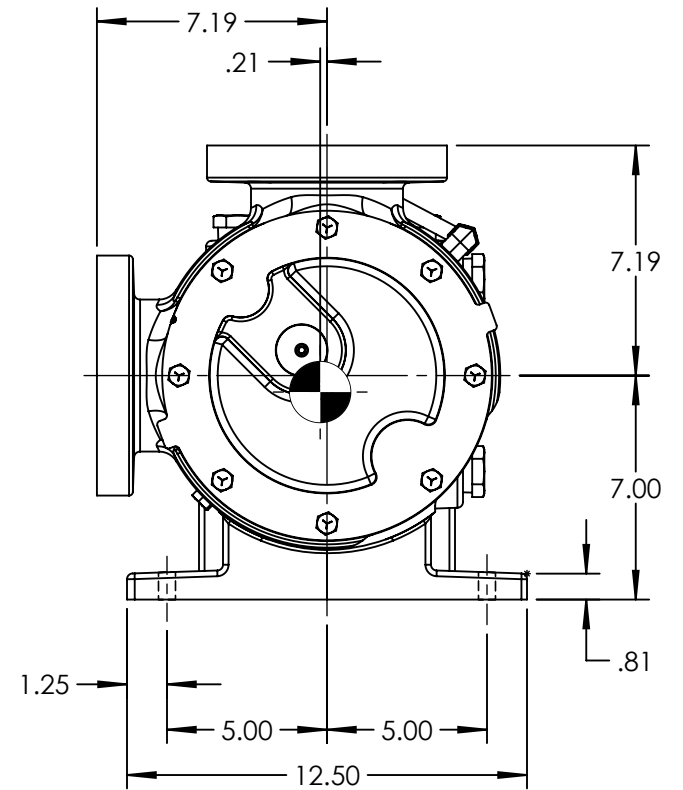
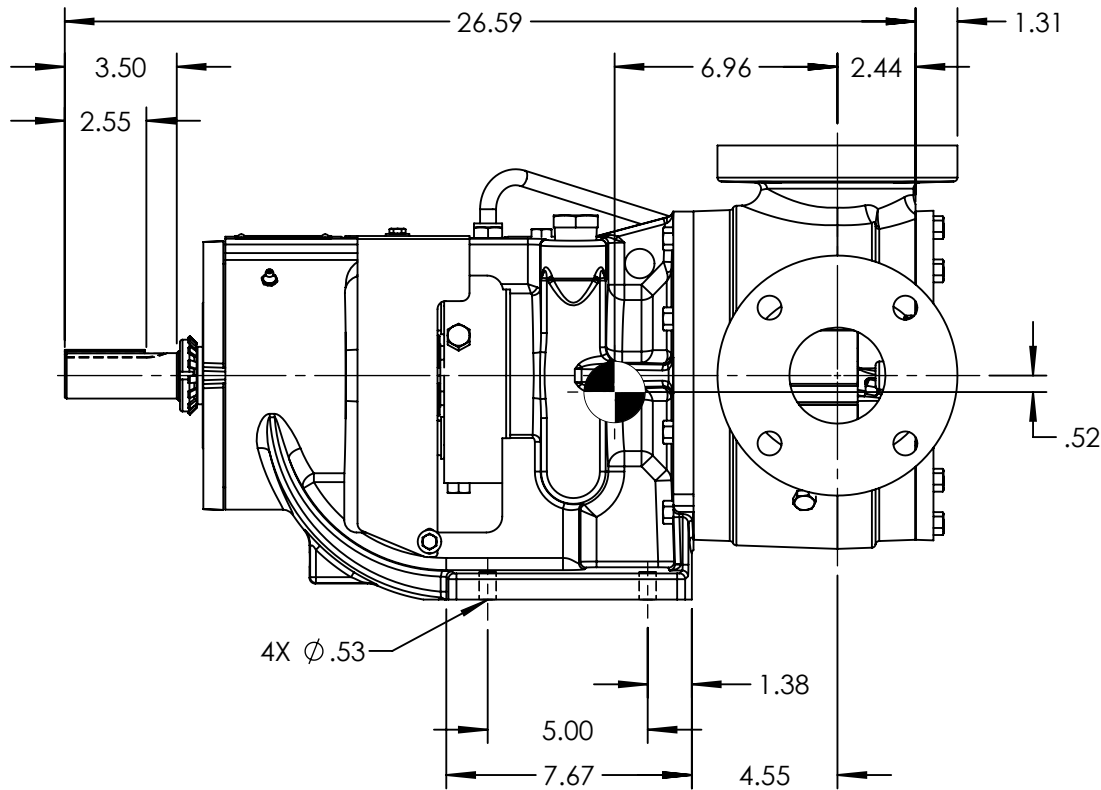



RECTANGULAR  
KEY: .38 X .25



PORTS: 2X 3" FLANGES  
SUITABLE FOR USE WITH  
CLASS 150 ANSI FLANGES



NOTES:

1. ALL DIMENSIONS ARE FOR REFERENCE ONLY.
2.  = CENTER OF GRAVITY.

STANDARD MODEL: LS4223AA

STATE	Released	08/20/2015
DRAWN	jblount	8/17/2015
CHECKED	BAM	08/19/2015

DIMENSIONS ARE IN INCHES	
PROJECT:	
WAS:	



VIKING PUMP, INC.  
A Unit of IDEX Corporation  
Cedar Falls, IA 50613  
U.S.A.

THIS DRAWING IS THE PROPERTY OF  
VIKING PUMP, INC. AND IS PROPRIETARY  
IN GENERAL AND DETAIL. IT SHALL NOT BE  
COPIED OR ITS CONTENTS REVEALED TO  
OUTSIDE PARTIES WITHOUT THE WRITTEN  
CONSENT OF VIKING PUMP, INC.

3D

DWG. NO.  
LV-4292

SHEET 1 OF 1

REV. A.0

08/20/2015