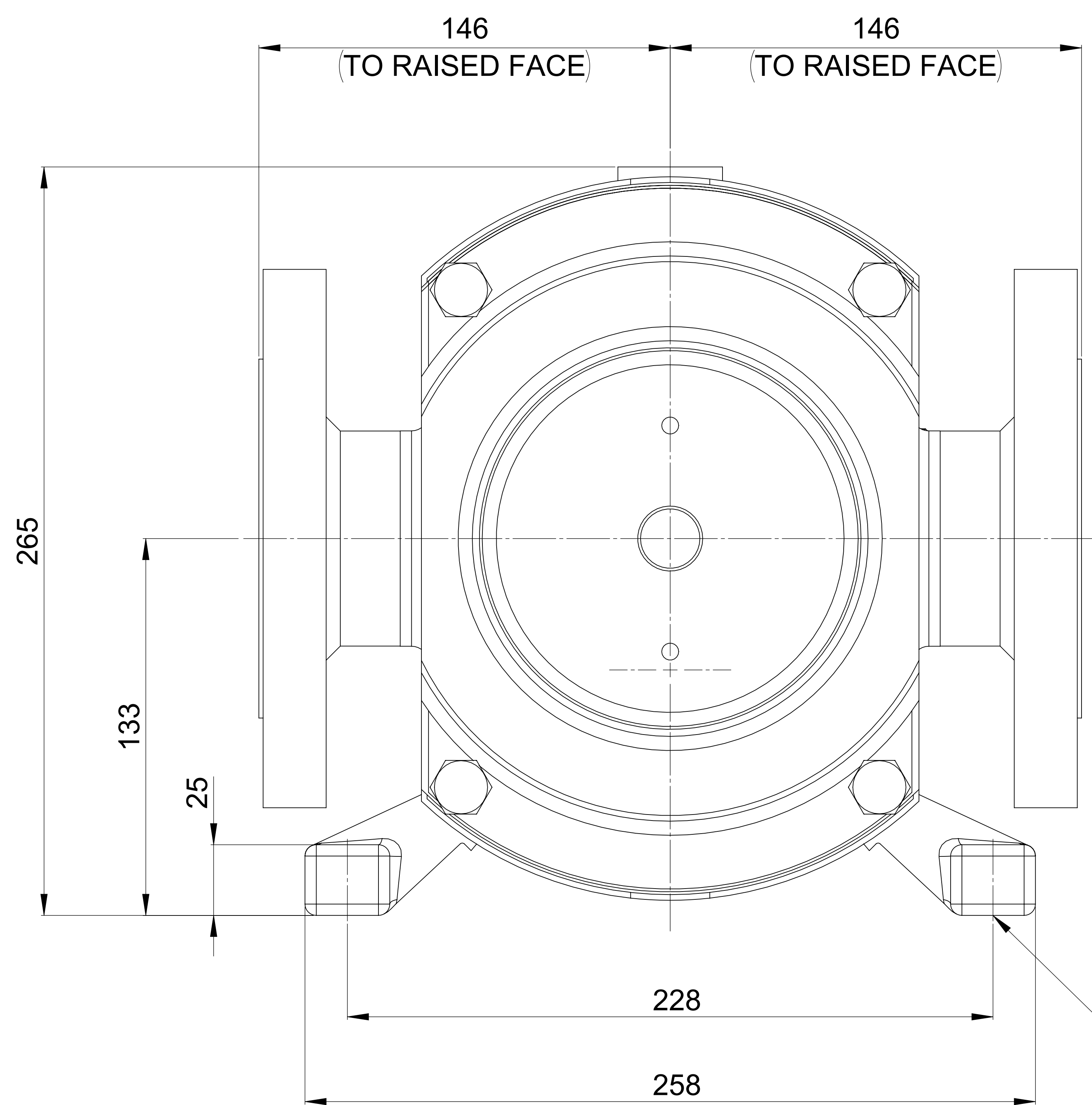
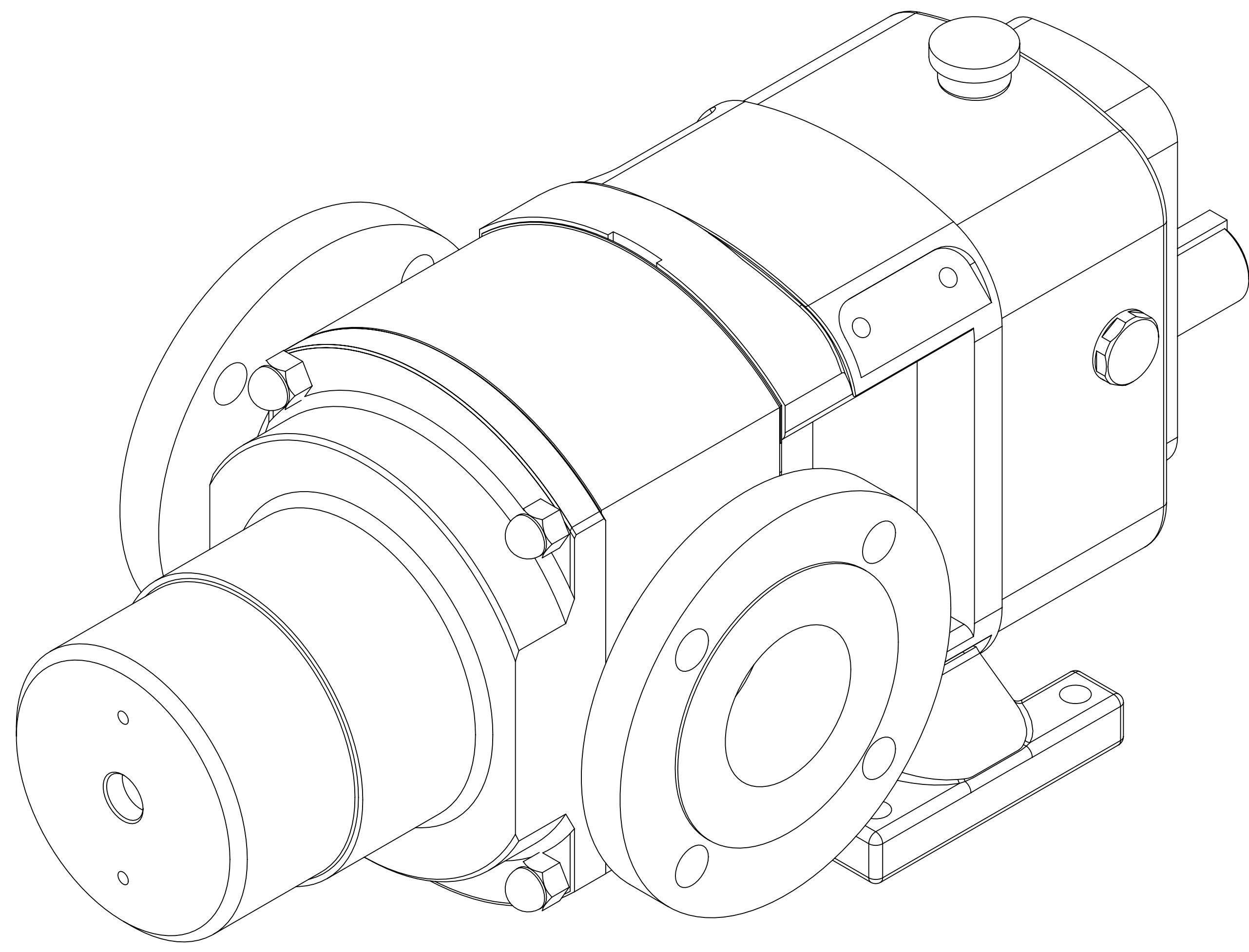


**GENERAL ARRANGEMENT DETAILS**

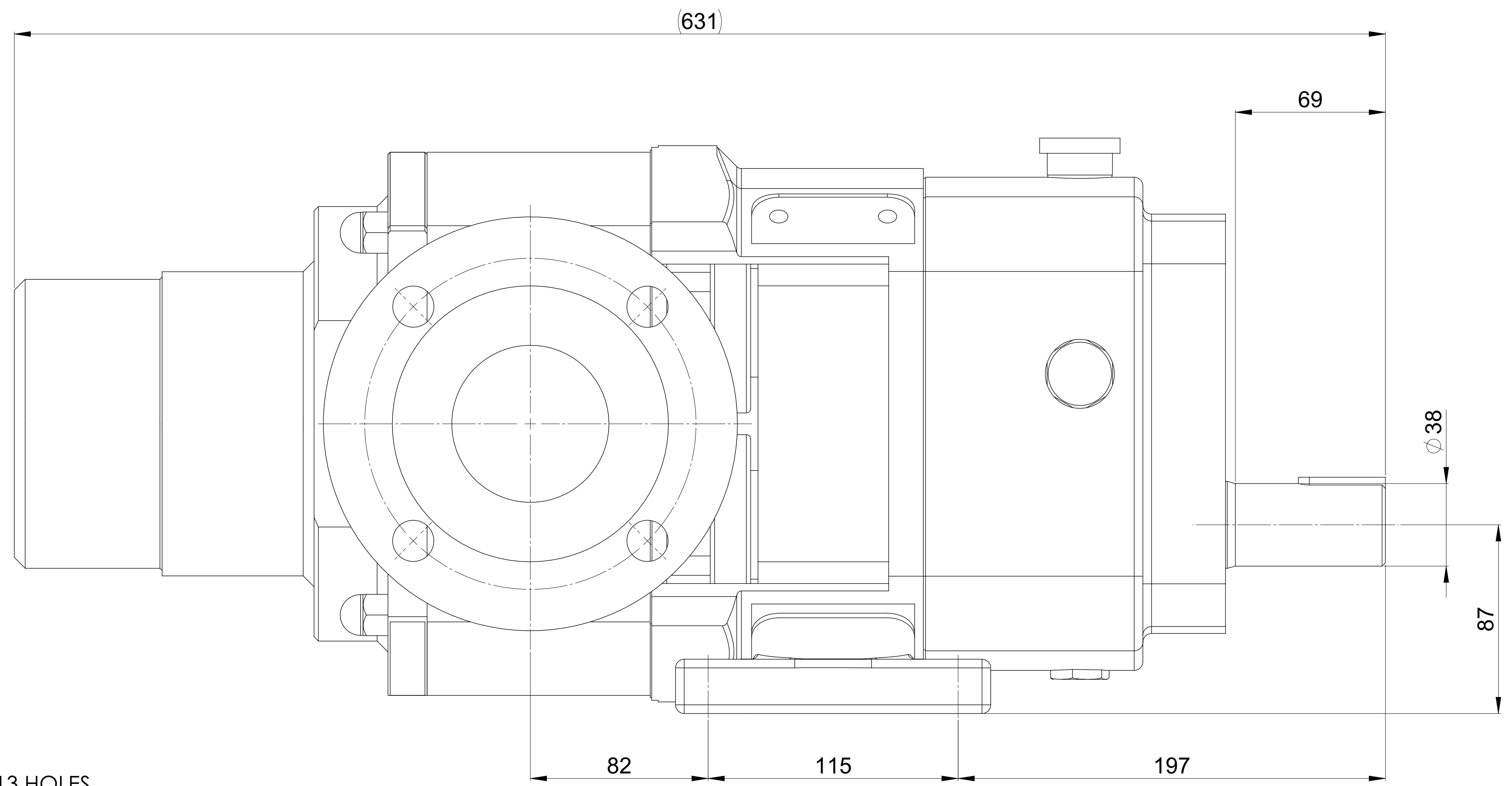
**PUMP INFORMATION**

PUMP MODEL	MULTIPUMP MP30/0113/07
INLET CONNECTION	3" ASA/ANSI 150 lb RF
OUTLET CONNECTION	3" ASA/ANSI 150 lb RF
DRIVE SHAFT POSITION	BOTTOM SHAFT DRIVE
FRONT COVER ADDITIONS	SPRING PRESSURE RELIEF VALVE

THIS IS NOT A CERTIFIED DRAWING, USE FOR GENERAL INSTALLATION ONLY



4 OFF Ø 13 HOLES



**wright flow**  
TECHNOLOGIES  
HIGHFIELD INDUSTRIAL ESTATE,  
EASTBOURNE,  
EAST SUSSEX, BN23 6PT  
TEL: (+44) 1323 509211

**COPYRIGHT:**  
THIS DRAWING IS THE SOLE  
PROPERTY OF  
**WRIGHT FLOW TECHNOLOGIES LTD.**  
IT MUST NOT BE COPIED OR USED  
IN PART OR FULL WITHOUT PRIOR  
WRITTEN CONSENT.

UNLESS OTHERWISE STATED:  
ALL DIMENSIONS ± 2.50  
ANGLES ± 2.0°  
DO NOT SCALE THIS DRAWING  
REMOVE BURRS AND SHARP EDGES  
DIMENSIONS IN MILLIMETRES  
**IF IN DOUBT ASK**

PROJECTION	DRAWN	CHECKED
	IPJB	DSB

ISSUED	A	05/03/2020
AMENDMENT	ISSUE	DATE

TITLE:	GENERAL ARRANGEMENT
DRG. NO:	<b>GA4355</b>