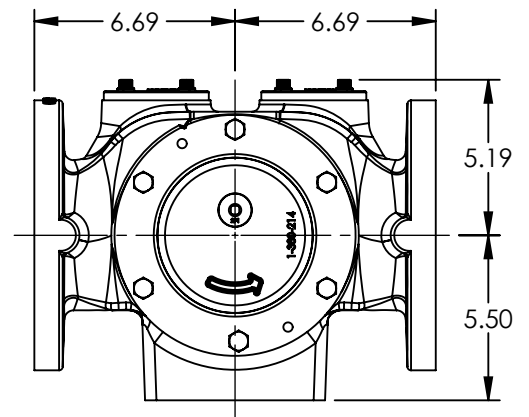
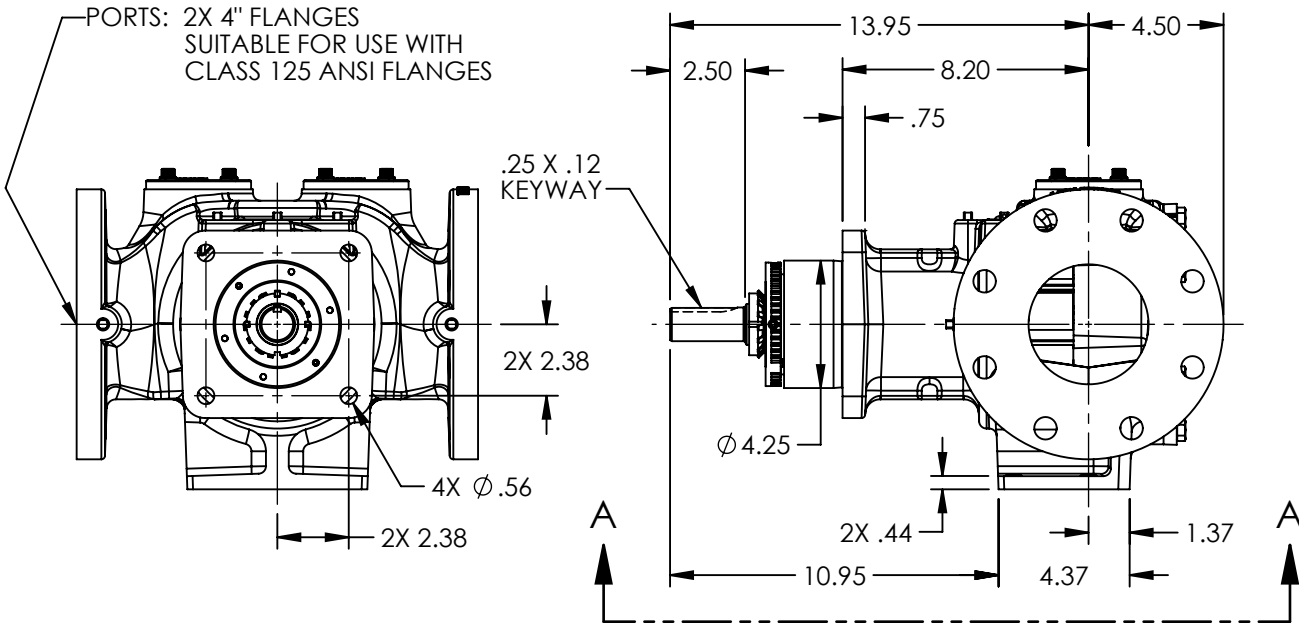


VIEW A-A

PORTS: 2X 4" FLANGES
SUITABLE FOR USE WITH
CLASS 125 ANSI FLANGES



STANDARD MODELS: KE4195, KKE4195

NOTES:
1. ALL DIMENSIONS ARE FOR REFERENCE ONLY.

STATE	Released	02/10/2017
DRAWN	sjakel	02/09/2017
CHECKED	BAM	02/10/2017

DIMENSIONS ARE IN
INCHES
PROJECT:
WAS:



VIKING PUMP, INC.
A Unit of IDEX Corporation
Cedar Falls, IA 50613
U.S.A.

THIS DRAWING IS THE PROPERTY OF
VIKING PUMP, INC. AND IS PROPRIETARY
IN GENERAL AND DETAIL. IT SHALL NOT BE
COPIED OR ITS CONTENTS REVEALED TO
OUTSIDE PARTIES WITHOUT THE WRITTEN
CONSENT OF VIKING PUMP, INC.

3D

DWG. NO.
KVE-25

SHEET 1 OF 1

REV. A.0
02/10/2017