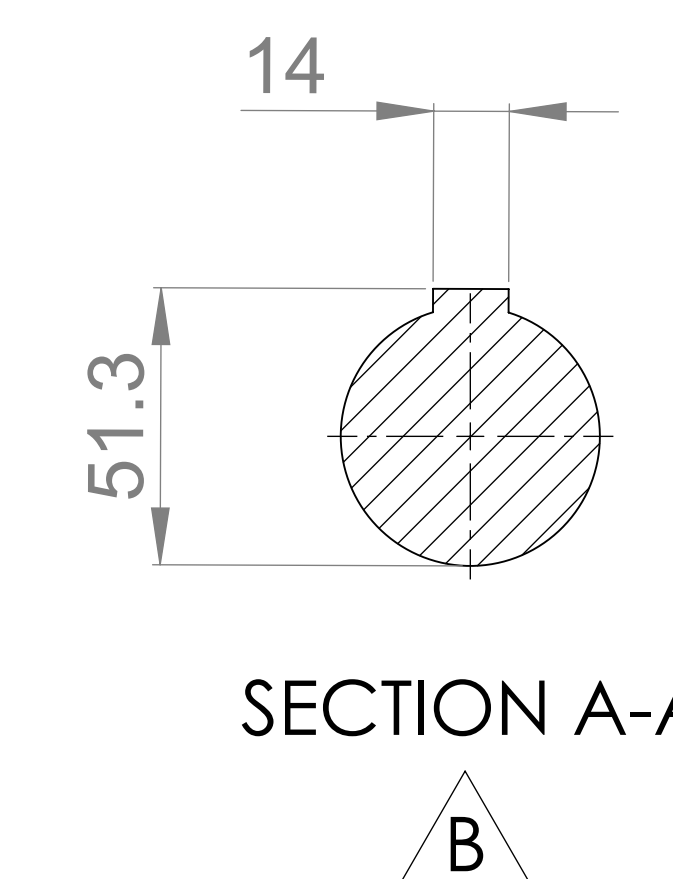
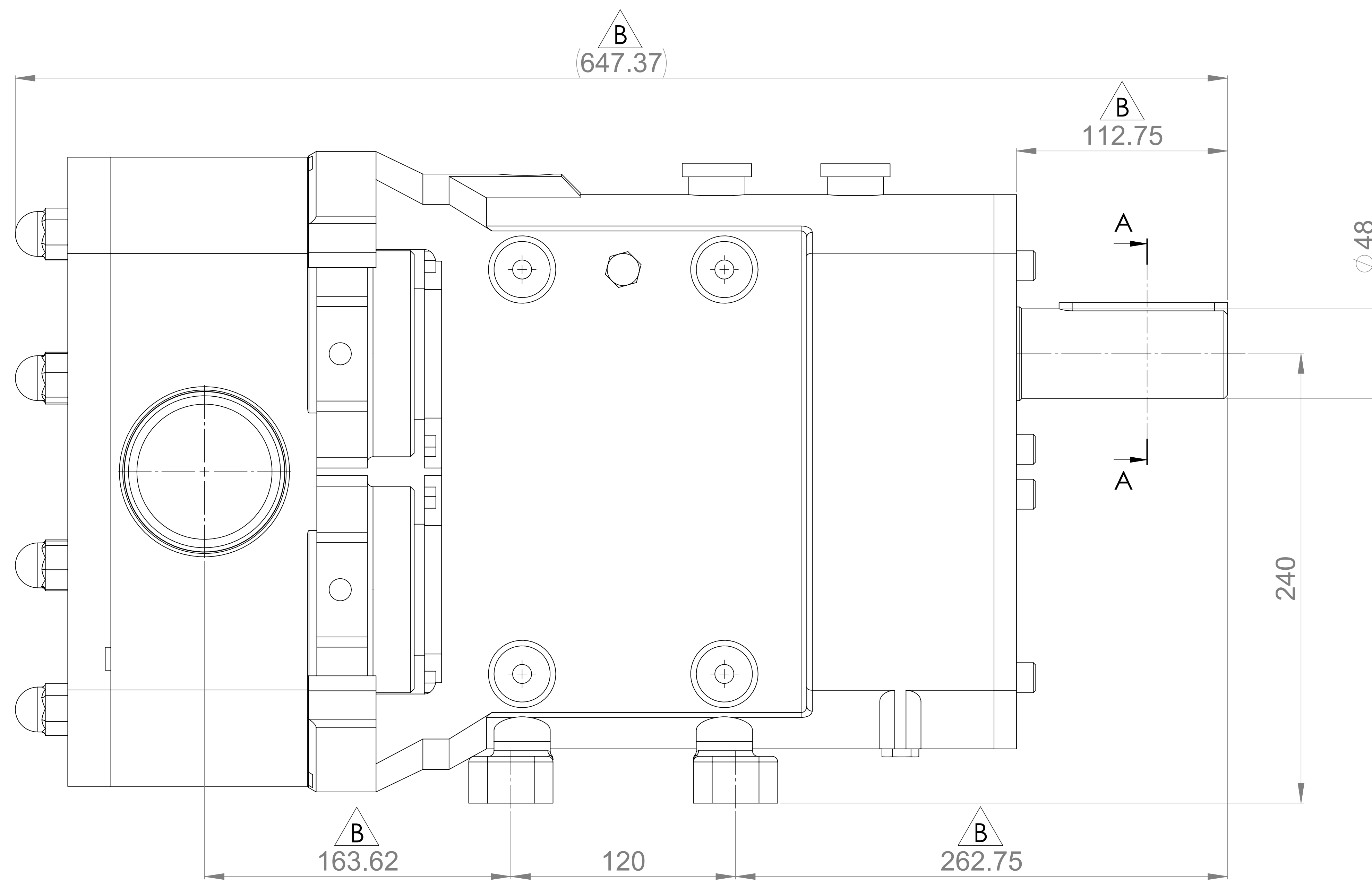
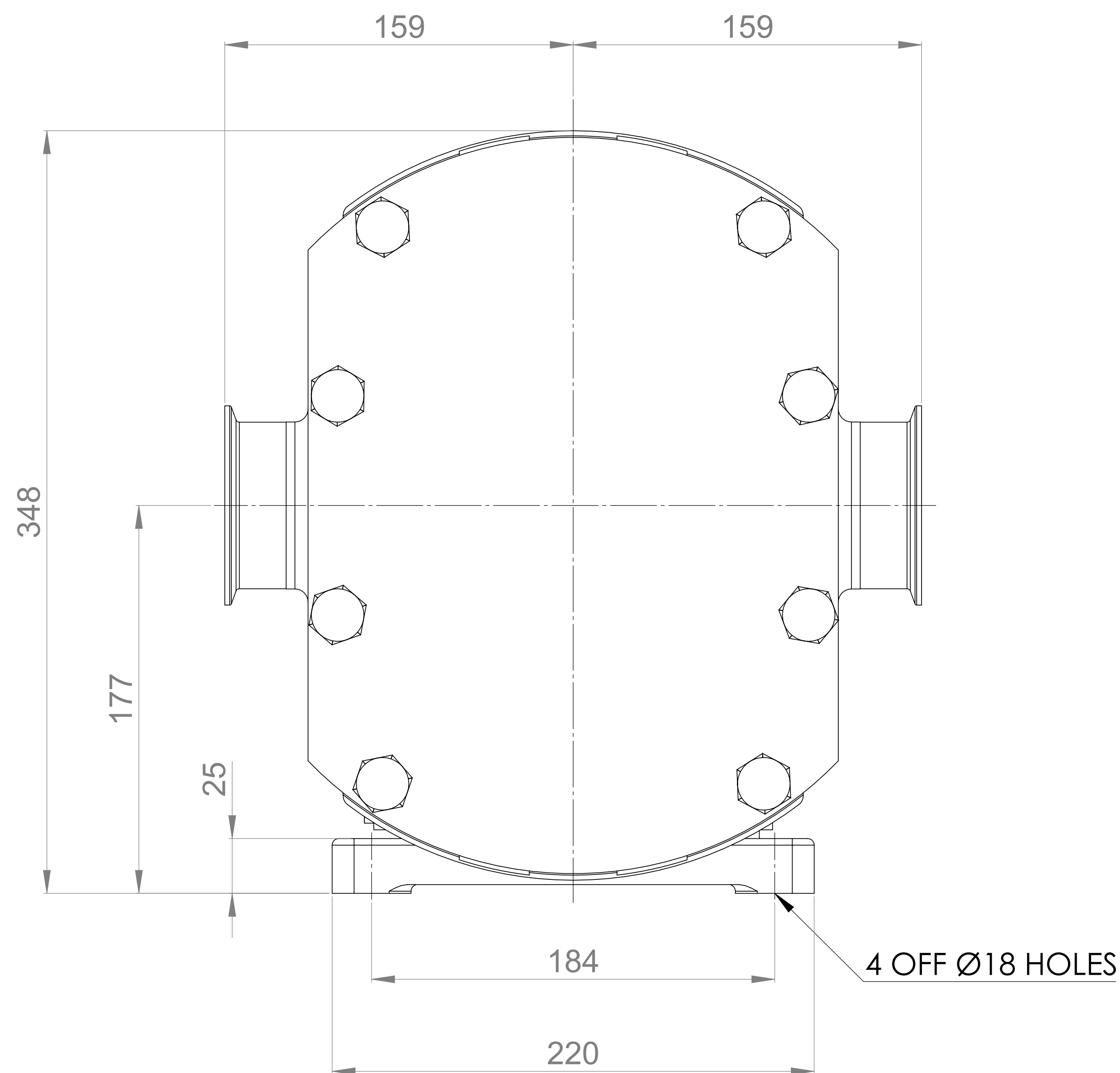
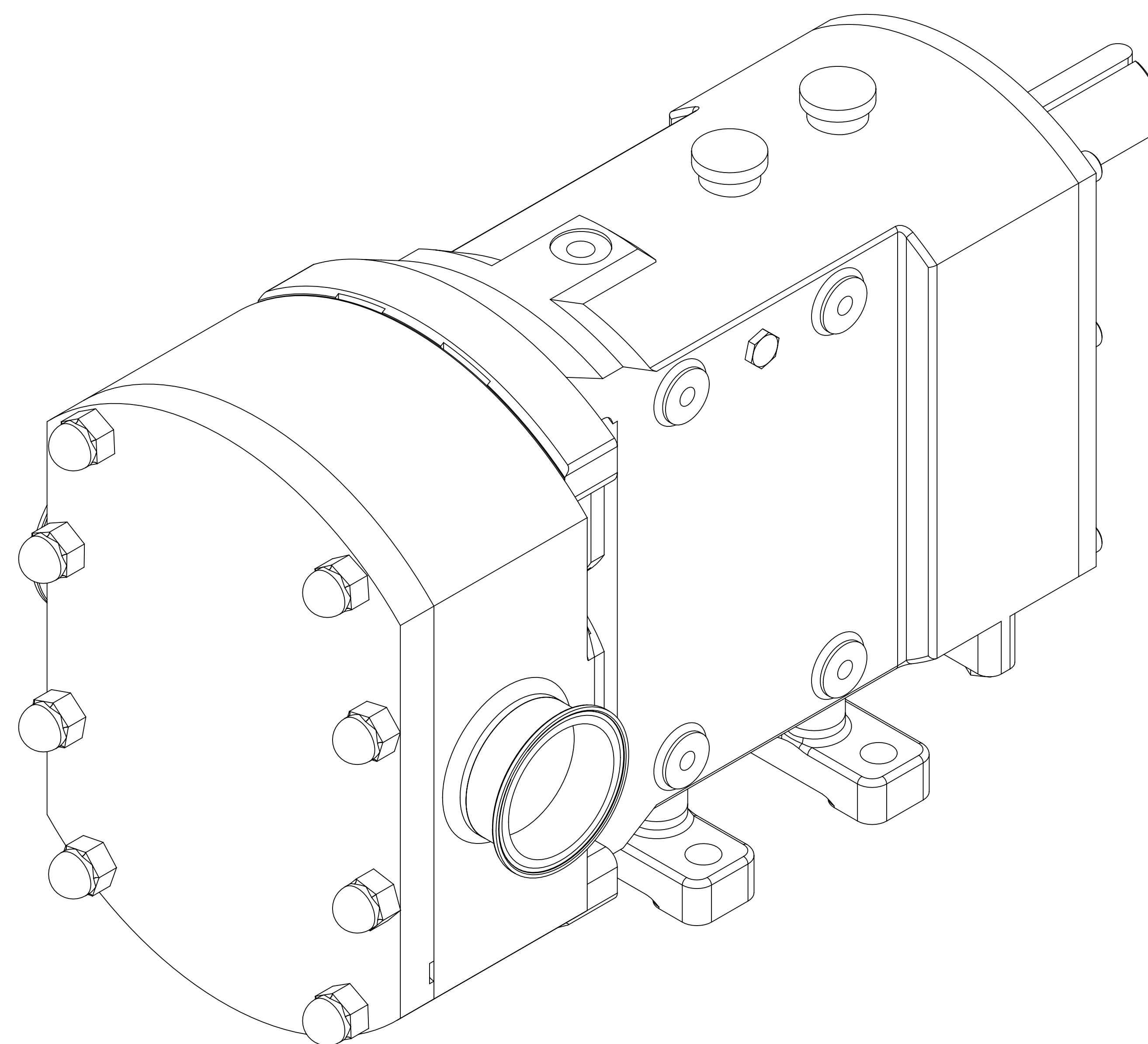


GENERAL ARRANGEMENT DETAILS

PUMP INFORMATION

PUMP MODEL	MULTIPUMP MP40/0180/12
LEFT/TOP CONNECTION	3" TRI-CLAMP
RIGHT/BOTTOM CONNECTION	3" TRI-CLAMP
DRIVE SHAFT POSITION	TOP SHAFT DRIVE
FRONT COVER ADDITIONS	STANDARD
ROTORCASE ADDITIONS	STANDARD
GEARBOX ADDITIONS	STANDARD
PUMP ADDITIONS	STANDARD

THIS IS NOT A CERTIFIED DRAWING, USE FOR GENERAL INSTALLATION ONLY



UPDATED FORMAT AND PRECISION	B	15/10/2024
ISSUED	A	27/06/2019
AMENDMENT	ISSUE	DATE

<p>VIKING PUMP HYGIENIC</p> <p>HIGHFIELD INDUSTRIAL ESTATE, EASTBOURNE, EAST SUSSEX, BN23 6PT TEL: (+44) 1323 509211</p>	<p>COPYRIGHT: THIS DRAWING IS THE SOLE PROPERTY OF VIKING PUMP HYGIENIC LTD. IT MUST NOT BE COPIED OR USED IN PART OR FULL WITHOUT PRIOR WRITTEN CONSENT.</p>	<p>UNLESS OTHERWISE STATED: ALL DIMENSIONS ± 2.50 ANGLES ± 2.0° DO NOT SCALE THIS DRAWING REMOVE BURRS AND SHARP EDGES DIMENSIONS IN MILLIMETRES IF IN DOUBT ASK</p>	PROJECTION	DRAWN	CHECKED	TITLE:
				DSB	IPJB	DRG. NO: