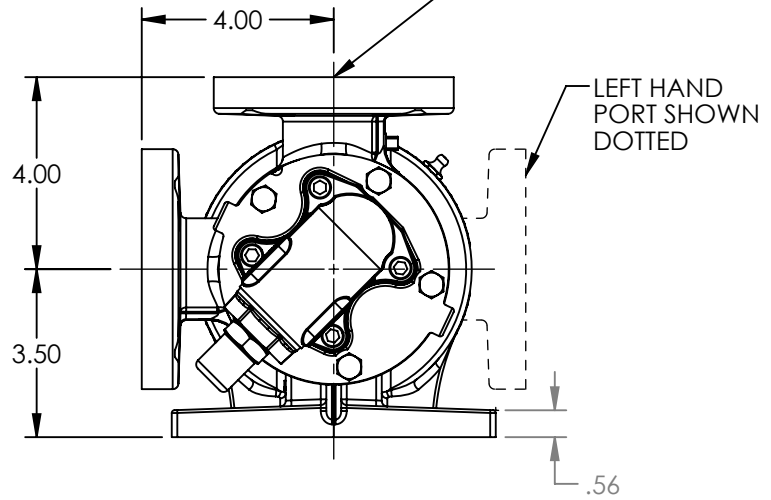
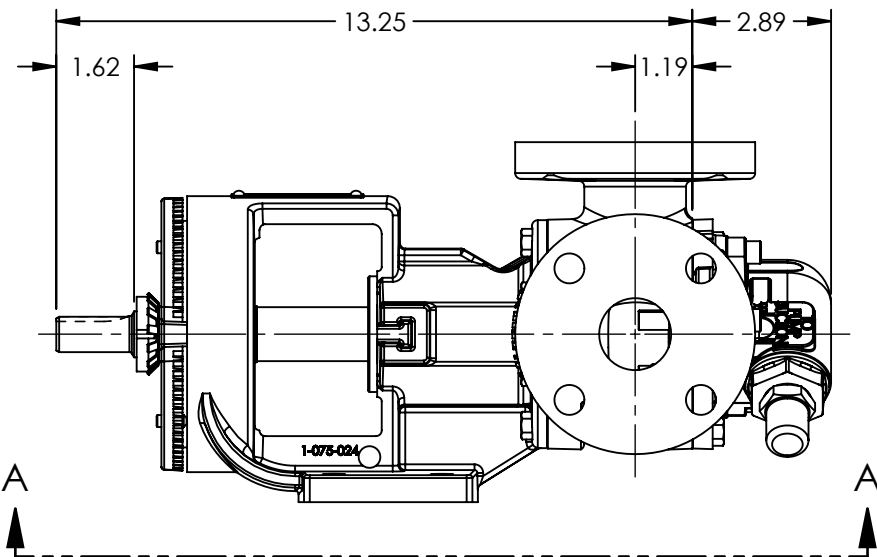


PORTS: 2X 1-1/2" FLANGES
 SUITABLE FOR USE WITH
 CLASS 125 ANSI FLANGES
 (124A, 1124A, 4124A, 4124B, 4624B)
 CLASS 150 ANSI FLANGES
 (123A, 4123A, 126A, 4126A, 127A, 1127A, 4127A)

VIEW A-A



STANDARD MODELS:
 H123A, H4123A, H127A, H1127A, H4127A, HL123A, HL4123A, HL127A, HL1127A, HL4127A
 MODELS WITH OPTIONAL FLANGED PORTS:
 H124A, H1124A, H4124A, H4124B, H4624B, HL124A, HL1124A, HL4124A,
 HL4124B, HL4624B, H126A, H4126A, HL126A, HL4126A

NOTES:
 1. ALL DIMENSIONS ARE FOR REFERENCE ONLY.

STATE	Released	11/08/2019
DRAWN	sjakel	04/15/2019
CHECKED	AA	11/08/2019

DIMENSIONS ARE IN INCHES
 PROJECT:
 WAS:



VIKING PUMP, INC.
 A Unit of IDEX Corporation
 Cedar Falls, IA 50613
 U.S.A.

THIS DRAWING IS THE PROPERTY OF VIKING PUMP, INC. AND IS PROPRIETARY IN GENERAL AND DETAIL. IT SHALL NOT BE COPIED OR ITS CONTENTS REVEALED TO OUTSIDE PARTIES WITHOUT THE WRITTEN CONSENT OF VIKING PUMP, INC.

3D

DWG. NO.
 HV-3355

SHEET 1 OF 1

REV. D.1
 11/08/2019