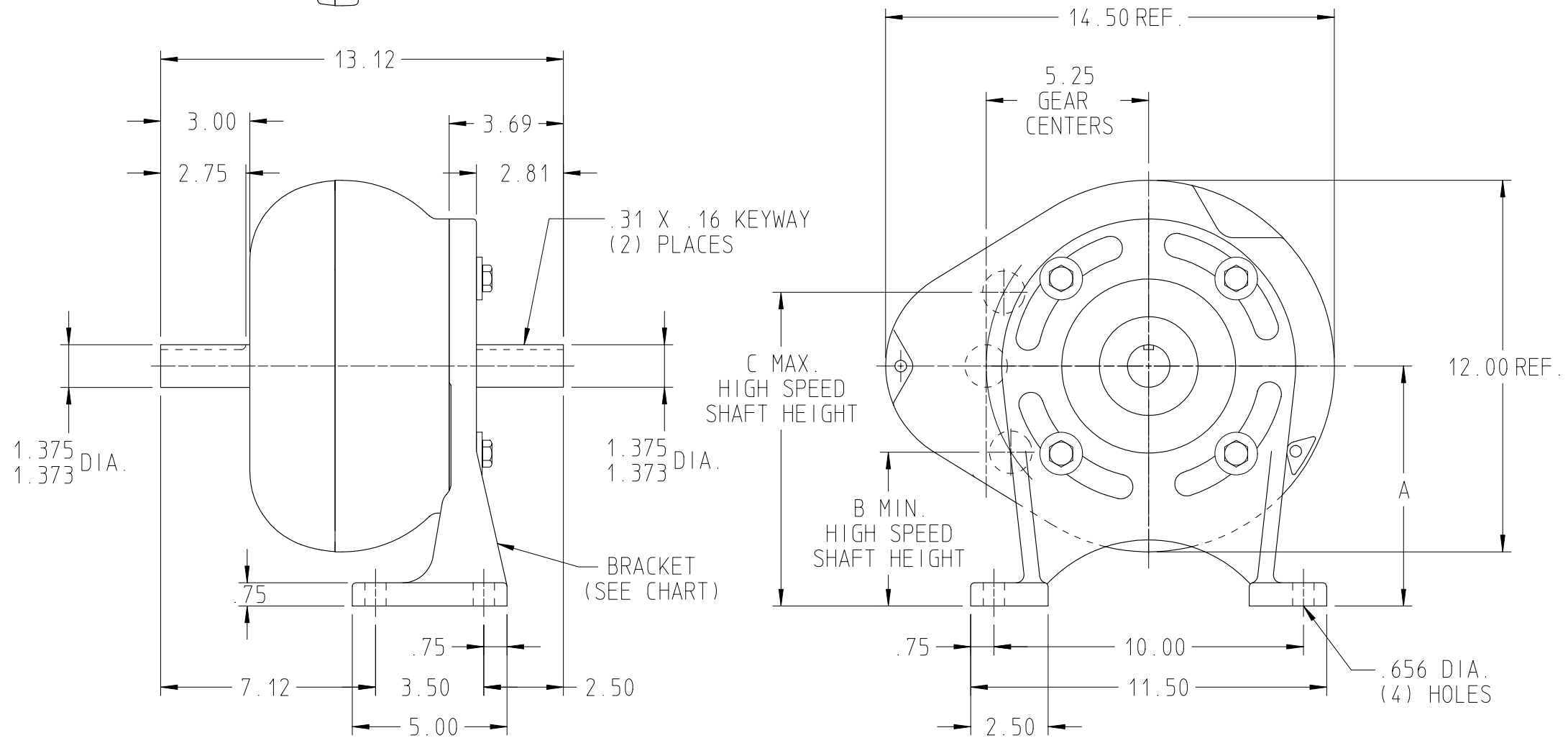


BRACKET NUMBER	A	B	C
2-074-011-100	7.75	5.00	10.00
2-074-012-100	9.50	6.75	11.75



REV.	C. N. NO.	DATE
A		2 SEP 03

USE & RELATED INFORMATION

GEOMETRIC SYMBOLS

RUNOUT	PARALLELISM	PERPENDICULARITY
FLATNESS	PERPENDICULARITY	
ROUNDNESS		

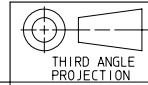
-- UNLESS OTHERWISE SPECIFIED --

TWO PLACE DECIMALS
THREE PLACE DECIMALS
ANGLES = + -5°
ALL FINISHED SURFACES
BREAK EDGES .005 / .015 RADIUS OR CHAMFER

XX = + - .02
XXX = + - .005

250 (AA) ⁰³⁰ CUTOFF

DRAWN	WUNDERLICH	2 SEP 03
CHECKED	DRS	10 SEP 03
APPROVED		
SCALE	1 = 3	INCH DIM.



THIS DRAWING IS THE PROPERTY OF VIKING PUMP, INC. AND IS PROPRIETARY IN GENERAL AND DETAIL. IT SHALL NOT BE COPIED OR ITS CONTENTS REVEALED TO OUTSIDE PARTIES WITHOUT WRITTEN CONSENT OF VIKING PUMP, INC.

VIKING "C" SIZE REDUCER WITH FOOT BRACKET RATIOS AVAILABLE:

2 21:1	3 31:1	5 08:1	7 95:1
2 80:1	4 21:1	6 24:1	



PATTERN NUMBER	DRG. SIZE C
DRAWING NUMBER	3-551-000-00C