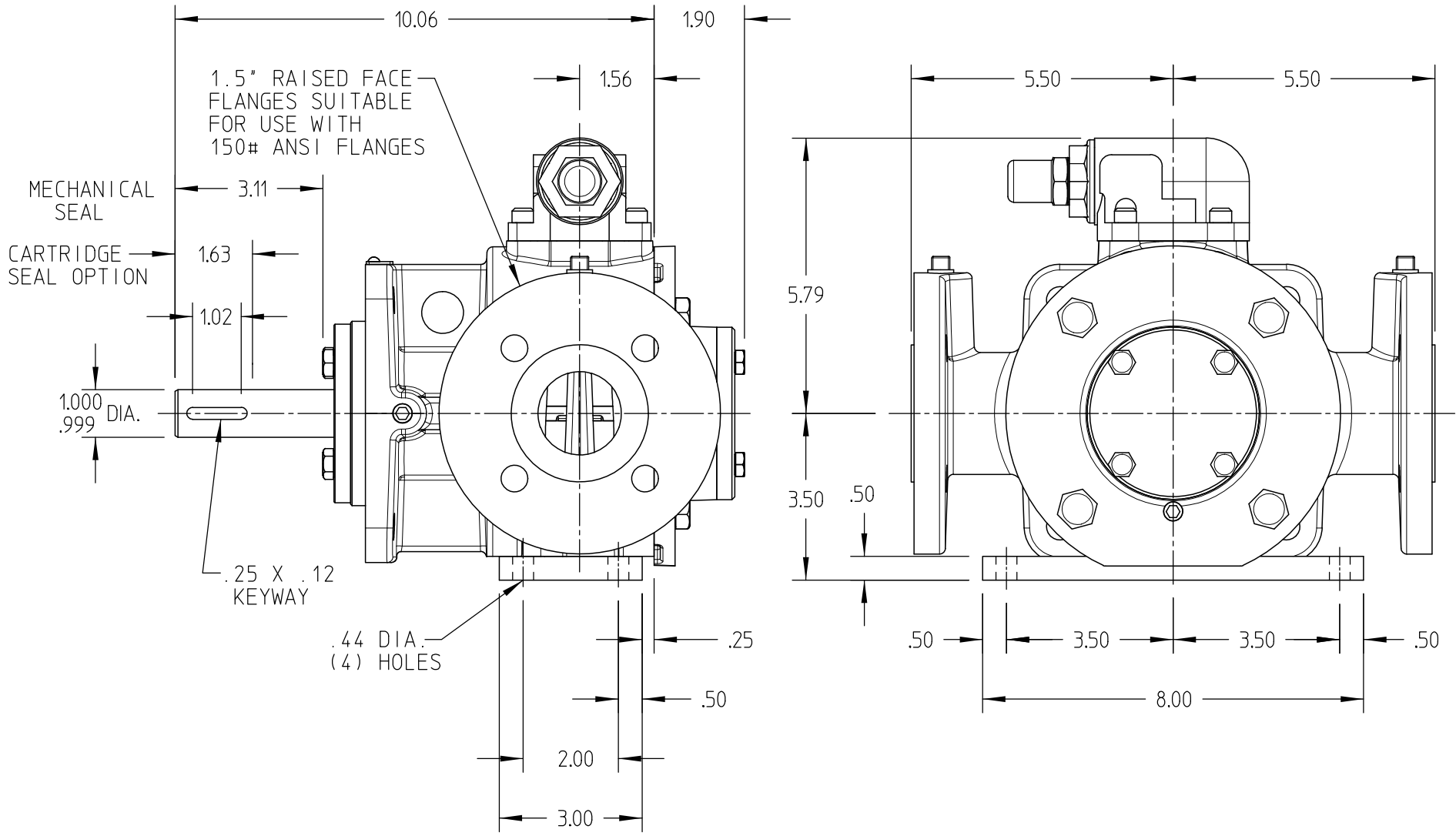


DRAWING NO.
LVPV-2



STANDARD MODELS: LVP41017U, LVP41027U

DRAWN KROGMANN DATE 26 JAN 2006
 CHECKED DJP DATE 20 APR 2006

THIS DRAWING IS THE PROPERTY OF VIKING PUMP INC. AND IS PROPRIETARY IN GENERAL AND DETAIL. IT SHALL NOT BE COPIED OR ITS CONTENTS REVEALED TO OUTSIDE PARTIES WITHOUT THE WRITTEN CONSENT OF VIKING PUMP INC.



VIKING PUMP, INC.
 A Unit of IDEX Corporation
 Cedar Falls, Iowa 50613
 U.S.A.

DRAWING NO.
LVPV-2

REV. A
 26 JAN 2006