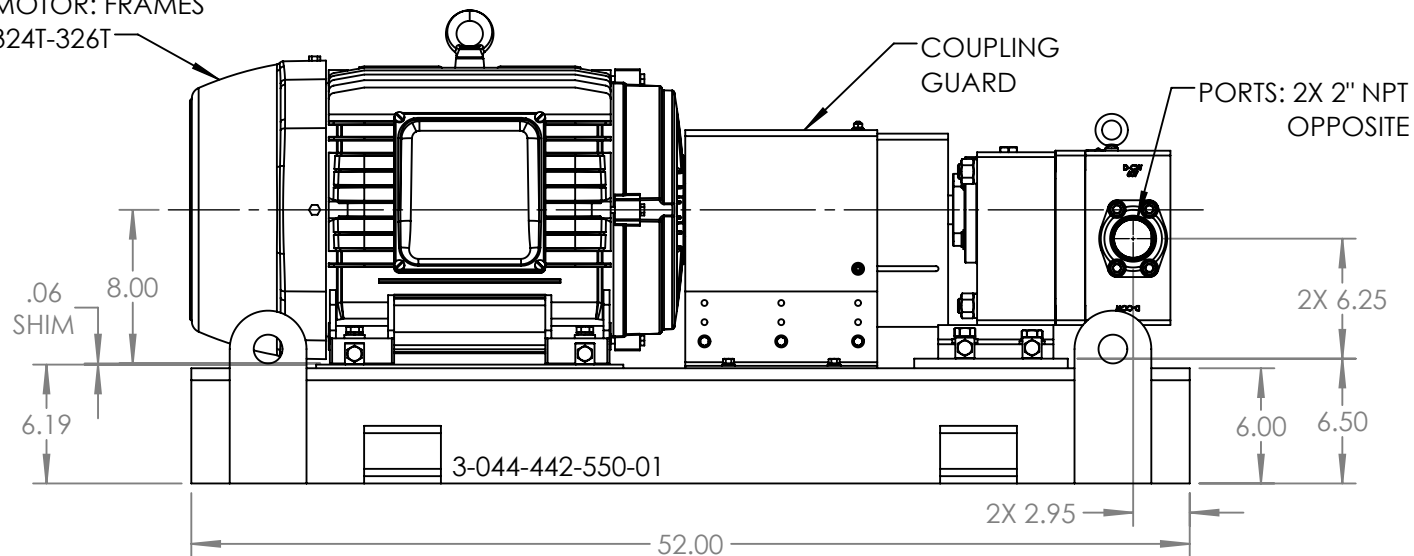


MOTOR: FRAMES
324T-326T



NOTES:

1. COUPLING GUARD NOT SHOWN IN TOP VIEW.
2. ALL DIMENSIONS ARE FOR REFERENCE ONLY.

MODELS: GL-41415-G0B-D, GL-41415-G1B-D

STATE	Released	02/03/2020
DRAWN	bmanernach	1/31/2020
CHECKED	MEW	02/03/2020

DIMENSIONS ARE IN
INCHES
PROJECT:
WAS:



VIKING PUMP, INC.
A Unit of IDEX Corporation
Cedar Falls, IA 50613
U.S.A.

THIS DRAWING IS THE PROPERTY OF
VIKING PUMP, INC. AND IS PROPRIETARY
IN GENERAL AND DETAIL. IT SHALL NOT BE
COPIED OR ITS CONTENTS REVEALED TO
OUTSIDE PARTIES WITHOUT THE WRITTEN
CONSENT OF VIKING PUMP, INC.

3D

DWG. NO. GPV-1415-037-U
SHEET 1 OF 1

REV. A.0
02/03/2020