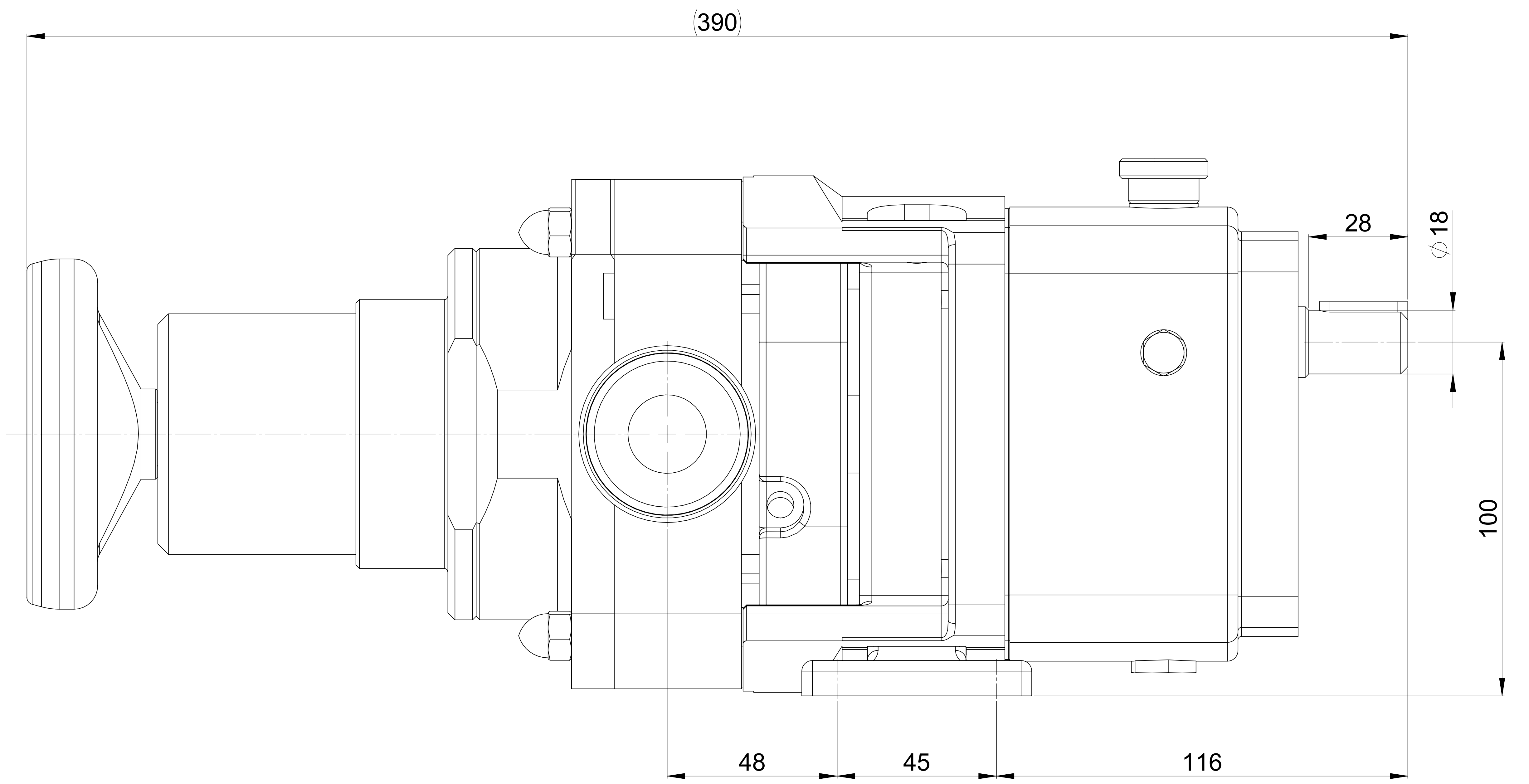
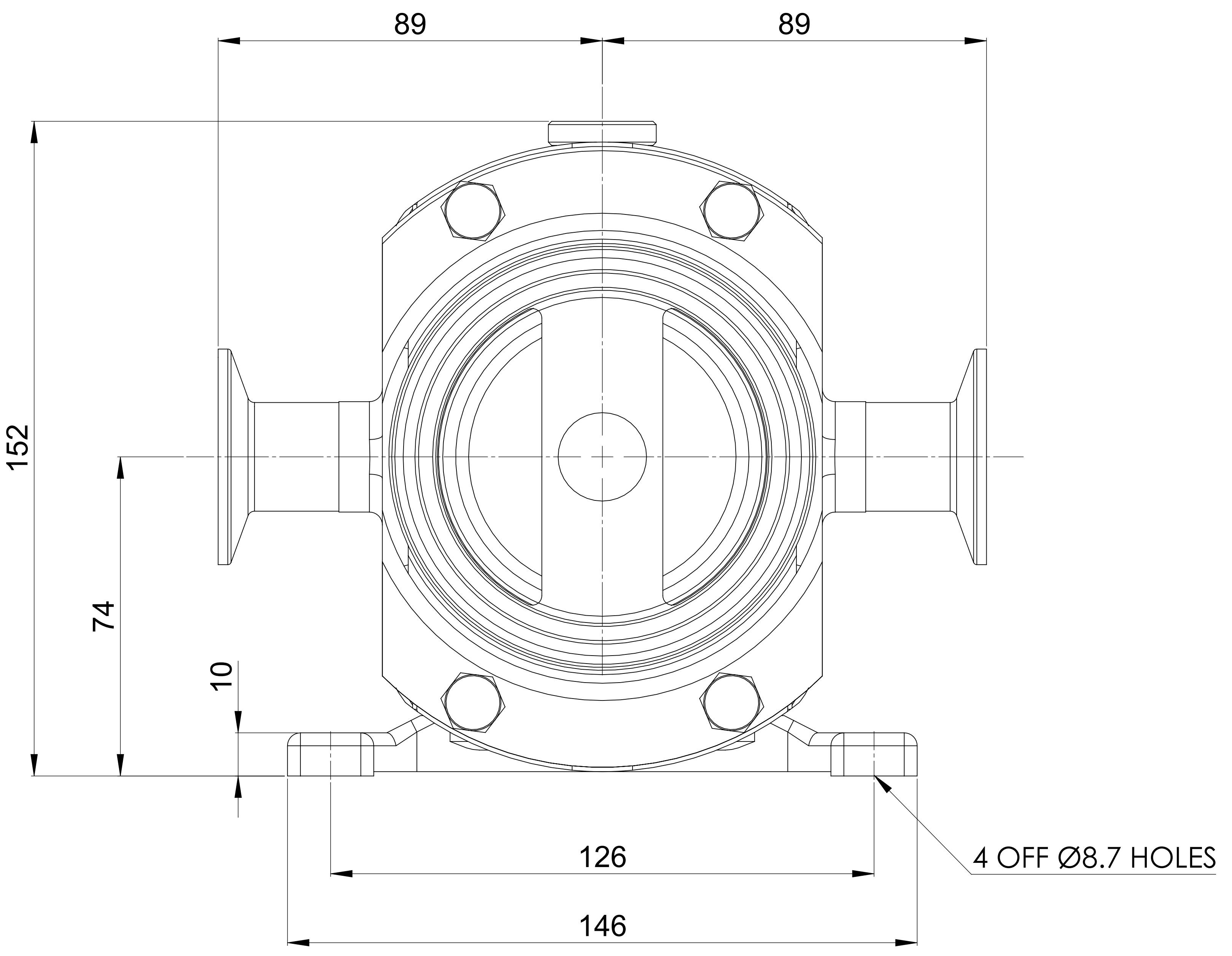
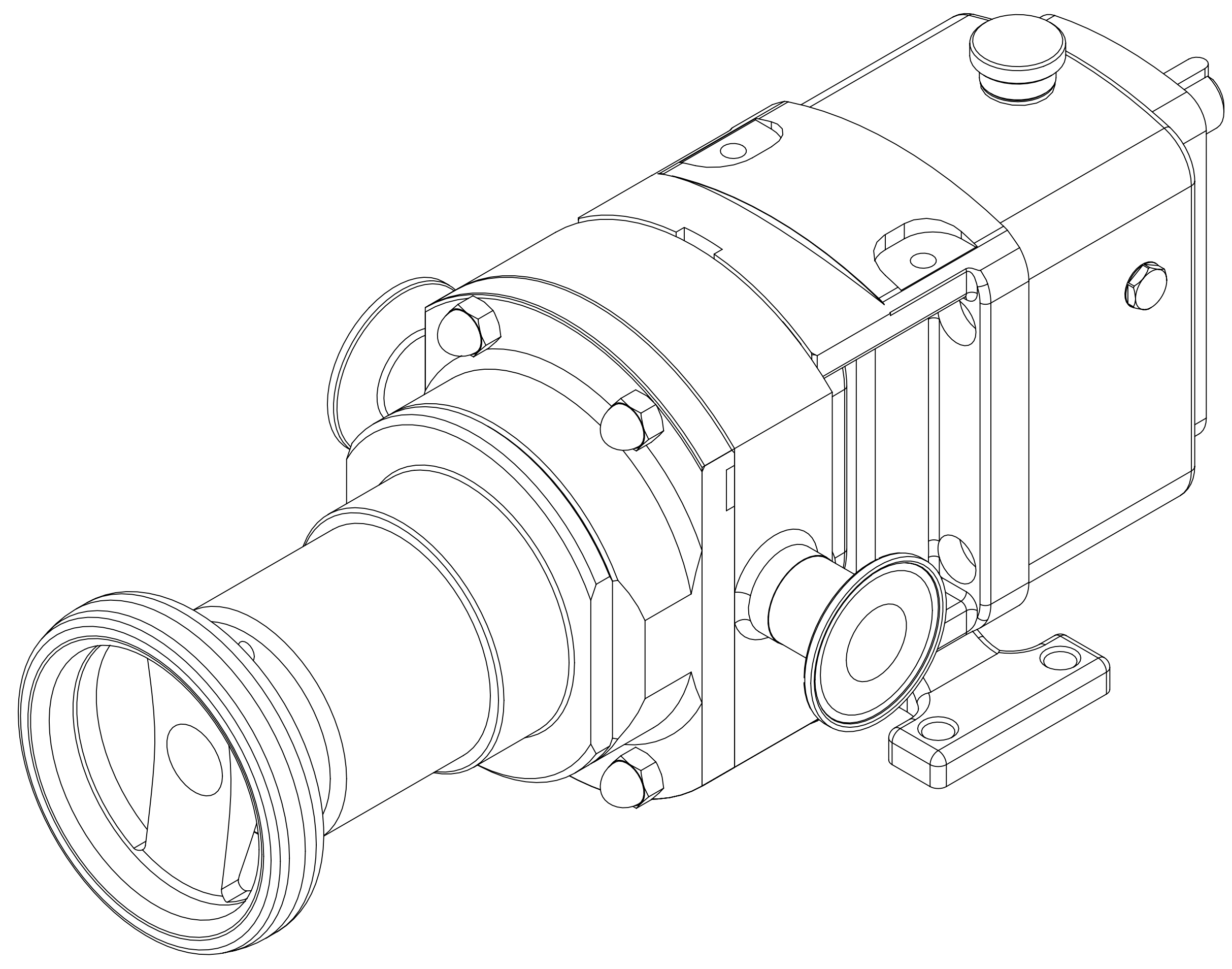


GENERAL ARRANGEMENT DETAILS

PUMP INFORMATION

| | |
|-------------------------|--------------------------------------------|
| PUMP MODEL | MULTIPUMP MP10/0005/12 |
| LEFT/TOP CONNECTION | 1" TRI-CLAMP |
| RIGHT/BOTTOM CONNECTION | 1" TRI-CLAMP |
| DRIVE SHAFT POSITION | TOP SHAFT DRIVE |
| FRONT COVER ADDITIONS | SPRING PRESSURE RELIEF VALVE - MANUAL LIFT |
| ROTORCASE ADDITIONS | STANDARD |
| GEARBOX ADDITIONS | STANDARD |
| PUMP ADDITIONS | STANDARD |

THIS IS NOT A CERTIFIED DRAWING, USE FOR GENERAL INSTALLATION ONLY



| | | |
|-----------|-------|------------|
| ISSUED | A | 30/06/2020 |
| AMENDMENT | ISSUE | DATE |

wright flow
TECHNOLOGIES
HIGHFIELD INDUSTRIAL ESTATE,
EASTBOURNE,
EAST SUSSEX, BN23 6PT
TEL: (+44) 1323 509211

COPYRIGHT:
THIS DRAWING IS THE SOLE
PROPERTY OF
WRIGHT FLOW TECHNOLOGIES LTD.
IT MUST NOT BE COPIED OR USED
IN PART OR FULL WITHOUT PRIOR
WRITTEN CONSENT.

UNLESS OTHERWISE STATED:
ALL DIMENSIONS ± 2.50
ANGLES ± 2.0°
DO NOT SCALE THIS DRAWING
REMOVE BURRS AND SHARP EDGES
DIMENSIONS IN MILLIMETRES
IF IN DOUBT ASK

| | | |
|------------|-------|---------|
| PROJECTION | DRAWN | CHECKED |
| | KCB | IPJB |

| | |
|----------|---------------------|
| TITLE: | GENERAL ARRANGEMENT |
| DRG. NO: | GA4429 |