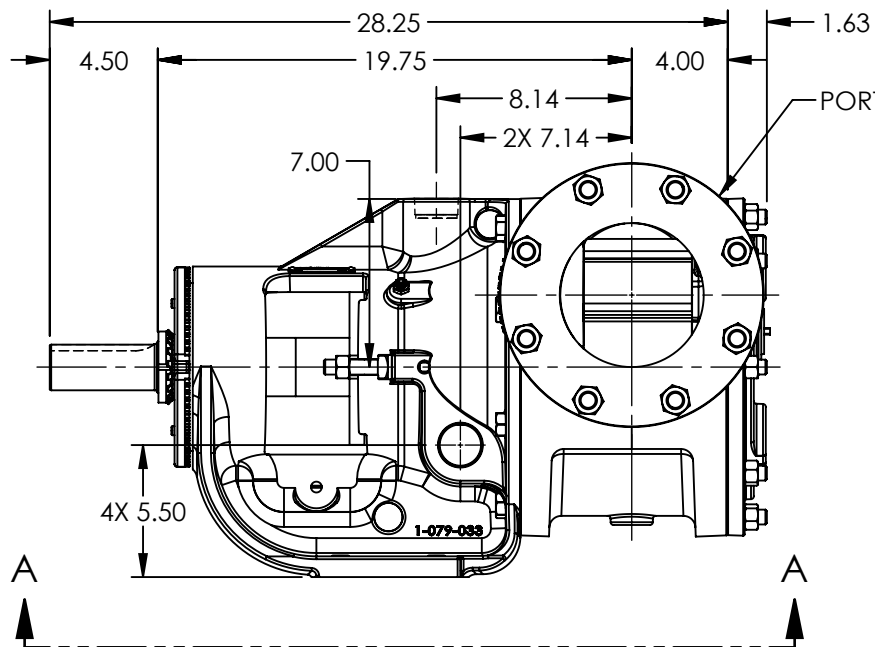
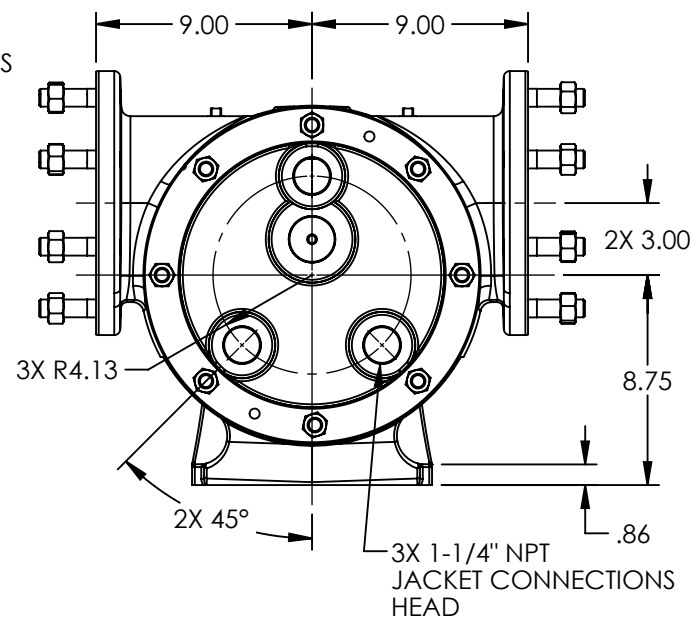


VIEW A-A



PORTS: 2X 6" FLANGES
SUITABLE FOR USE WITH
CLASS 125 ANSI FLANGES



NOTES:
1. ALL DIMENSIONS ARE FOR REFERENCE ONLY.

MODELS: QS224A-CHC1, QS224A-CHC2

STATE	Released	07/19/2018
DRAWN	sjakel	07/16/2018
CHECKED	CJM	07/19/2018

DIMENSIONS ARE IN INCHES	
PROJECT:	E248
WAS:	



VIKING PUMP, INC.
A Unit of IDEX Corporation
Cedar Falls, IA 50613
U.S.A.

THIS DRAWING IS THE PROPERTY OF VIKING PUMP, INC. AND IS PROPRIETARY IN GENERAL AND DETAIL. IT SHALL NOT BE COPIED OR ITS CONTENTS REVEALED TO OUTSIDE PARTIES WITHOUT THE WRITTEN CONSENT OF VIKING PUMP, INC.

3D

DWG. NO.
QV-2158

SHEET 1 OF 1

REV. A.0

07/19/2018