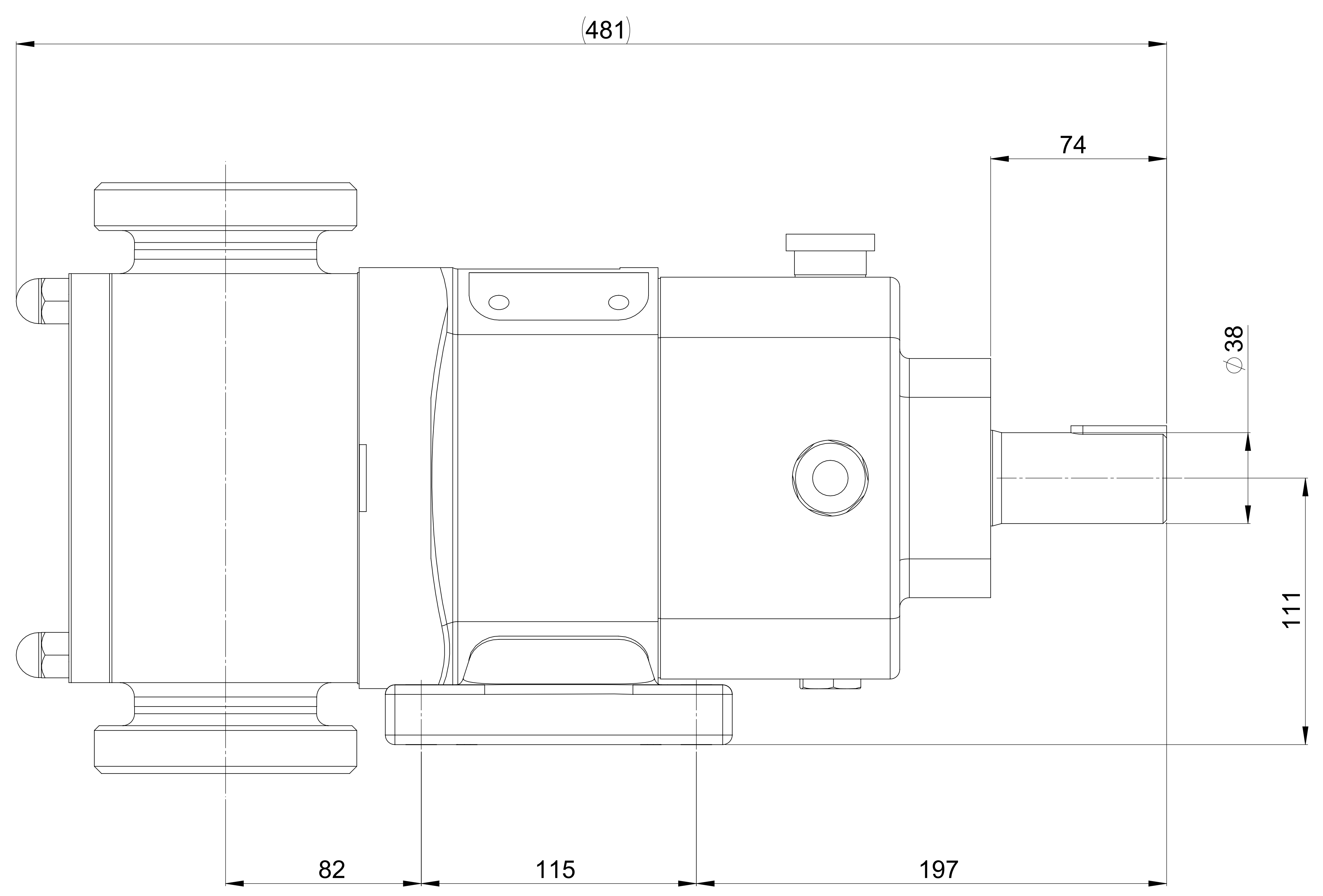
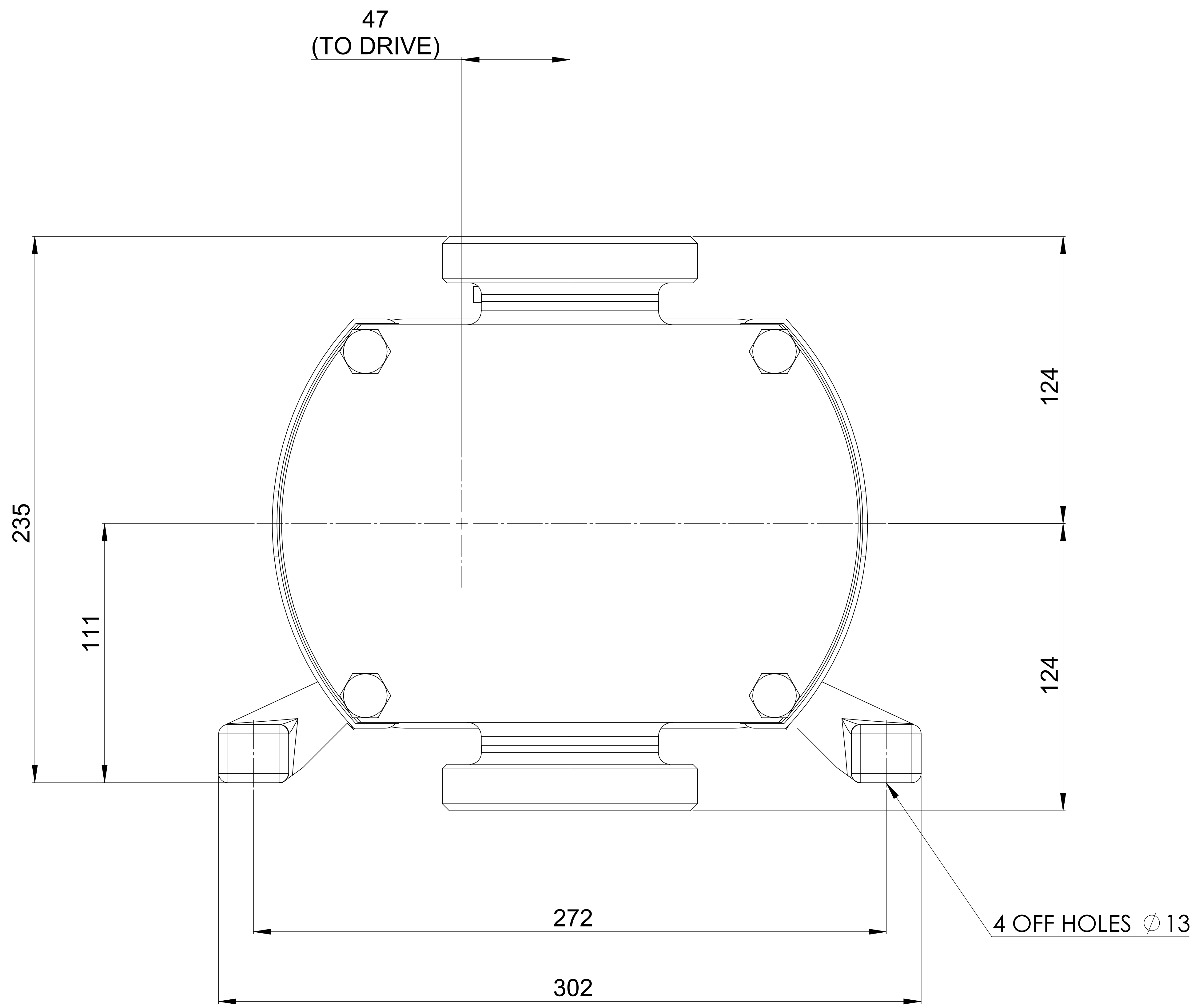
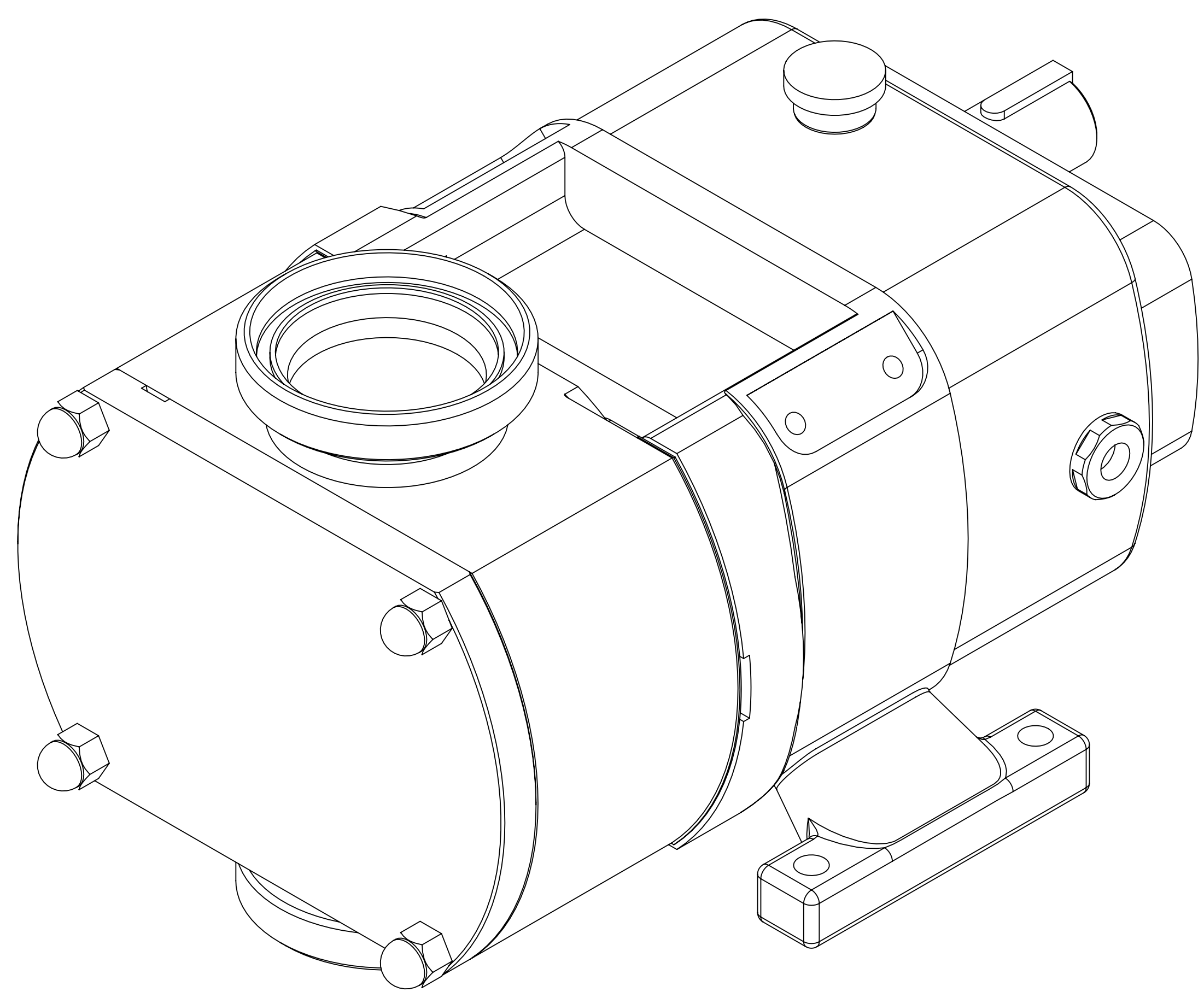


| GENERAL ARRANGEMENT DETAILS | |
|-----------------------------|-----------------------|
| PUMP INFORMATION | |
| PUMP MODEL | CLASSIC+ CP30/0113/07 |
| INLET CONNECTION | 3" DIN 11851 Male |
| OUTLET CONNECTION | 3" DIN 11851 Male |
| SPECIAL FEATURES | NONE |
| | |

THIS IS NOT A CERTIFIED DRAWING, USE FOR GENERAL INSTALLATION ONLY



| | | |
|-----------|-------|------------|
| ISSUE | A | 07/04/2017 |
| AMENDMENT | ISSUE | DATE |

wright flow
TECHNOLOGIES
HIGHFIELD INDUSTRIAL ESTATE,
EASTBOURNE,
EAST SUSSEX, BN23 6PT
TEL: (+44) 1323 509211

COPYRIGHT:
THIS DRAWING IS THE SOLE
PROPERTY OF
WRIGHT FLOW TECHNOLOGIES LTD.
IT MUST NOT BE COPIED OR USED
IN PART OR FULL WITHOUT PRIOR
WRITTEN CONSENT.

UNLESS OTHERWISE STATED:
ALL DIMENSIONS ± 2.50
ANGLES ± 2.0°
DO NOT SCALE THIS DRAWING
REMOVE BURRS AND SHARP EDGES
DIMENSIONS IN MILLIMETRES
IF IN DOUBT ASK

| | | |
|------------|-------|---------|
| PROJECTION | DRAWN | CHECKED |
| | MR | KCB |

| | |
|----------|---------------------|
| TITLE: | GENERAL ARRANGEMENT |
| DRG. NO: | GA3607 |