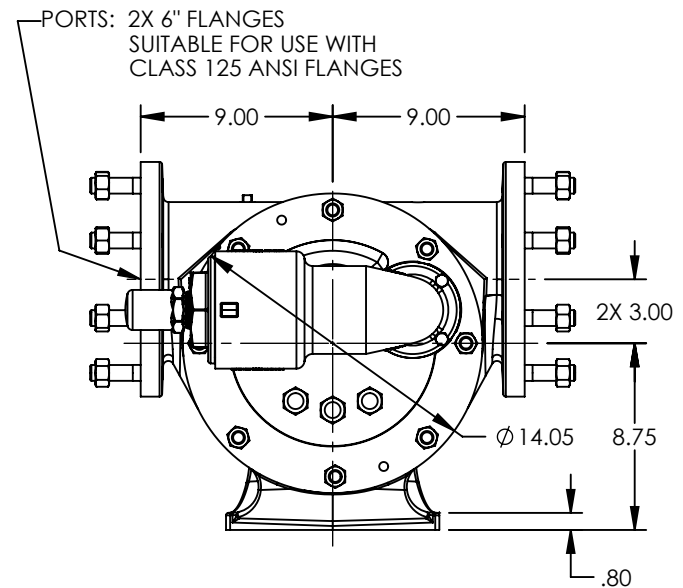
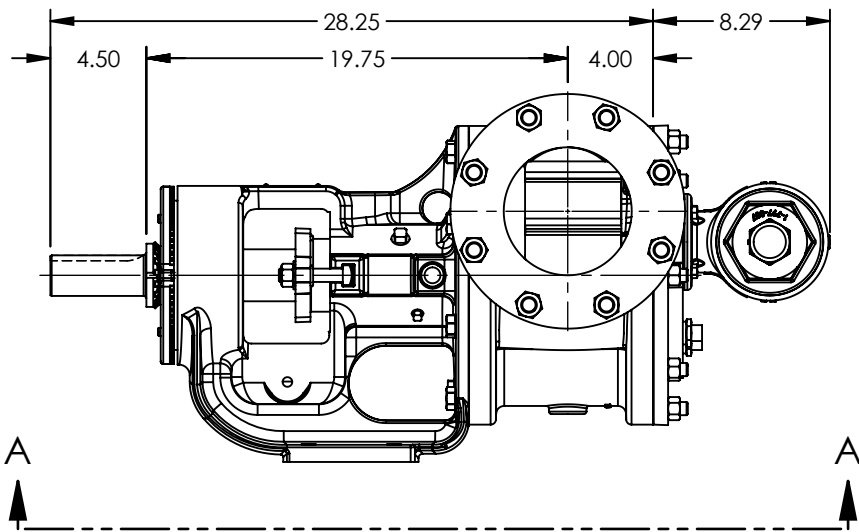


VIEW A-A



PORTS: 2X 6" FLANGES  
SUITABLE FOR USE WITH  
CLASS 125 ANSI FLANGES

- NOTES:  
1. ALL DIMENSIONS ARE FOR REFERENCE ONLY.  
2. HEATER CONDUIT HIDDEN FOR CLARITY.

STANDARD MODEL: QS124E

STATE	Released	08/09/2018
DRAWN	tdutcher	6/7/2011
CHECKED	BAM	08/09/2018

DIMENSIONS ARE IN INCHES	
PROJECT:	D380
WAS:	



VIKING PUMP, INC.  
A Unit of IDEX Corporation  
Cedar Falls, IA 50613  
U.S.A.

THIS DRAWING IS THE PROPERTY OF  
VIKING PUMP, INC. AND IS PROPRIETARY  
IN GENERAL AND DETAIL. IT SHALL NOT BE  
COPIED OR ITS CONTENTS REVEALED TO  
OUTSIDE PARTIES WITHOUT THE WRITTEN  
CONSENT OF VIKING PUMP, INC.

3D

DWG. NO.  
QV-1987

SHEET 1 OF 1

REV. B.0  
08/09/2018