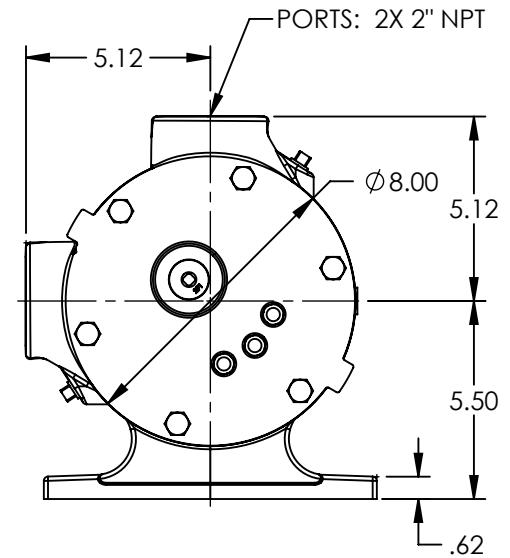
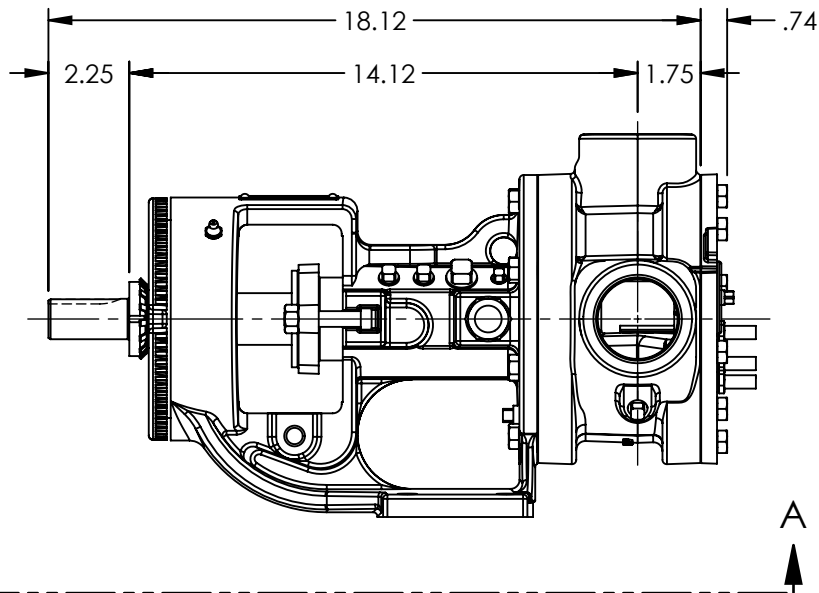


VIEW A-A



NOTES:

1. ALL DIMENSIONS ARE FOR REFERENCE ONLY.
2. HEATER CONDUIT HIDDEN FOR CLARITY.

STANDARD MODELS: K124E, KK124E

STATE	Released	08/09/2018
DRAWN	tdutcher	05/03/2011
CHECKED	BAM	08/03/2018

DIMENSIONS ARE IN INCHES  
PROJECT: D380  
WAS:



VIKING PUMP, INC.  
A Unit of IDEX Corporation  
Cedar Falls, IA 50613  
U.S.A.

THIS DRAWING IS THE PROPERTY OF VIKING PUMP, INC. AND IS PROPRIETARY IN GENERAL AND DETAIL. IT SHALL NOT BE COPIED OR ITS CONTENTS REVEALED TO OUTSIDE PARTIES WITHOUT THE WRITTEN CONSENT OF VIKING PUMP, INC.

3D

DWG. NO.  
KV-2391

SHEET 1 OF 1

REV. B.3

08/09/2018