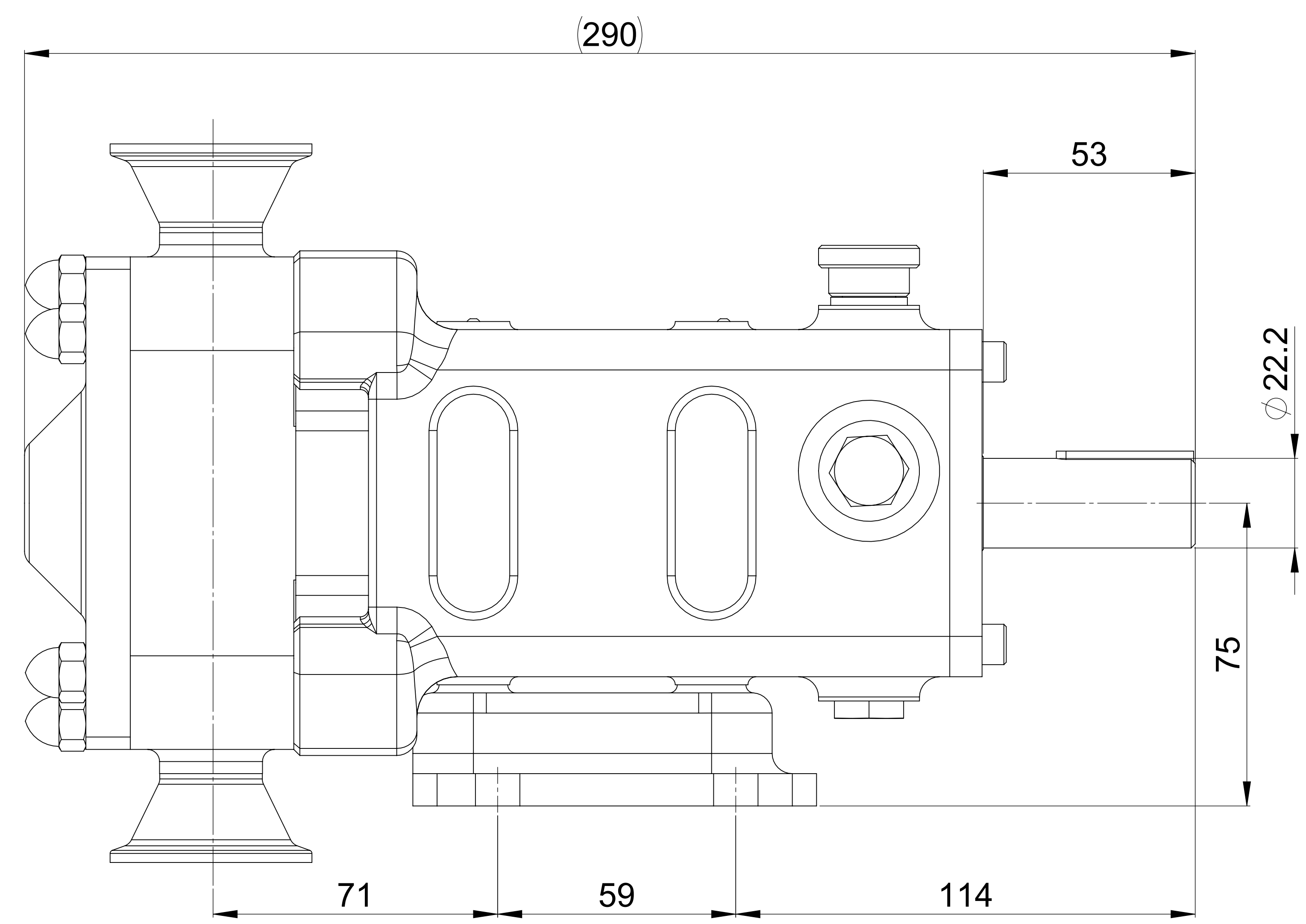
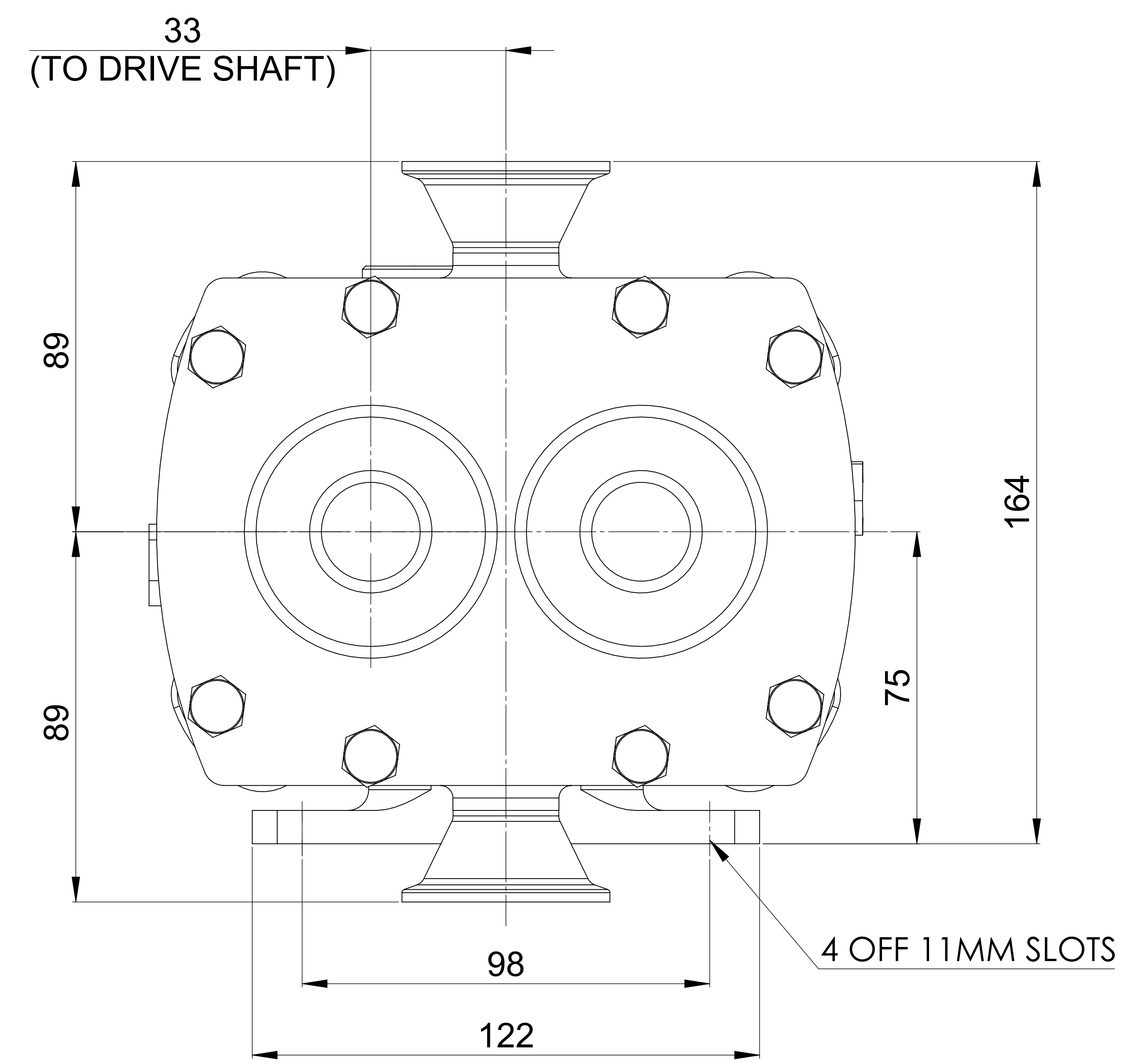
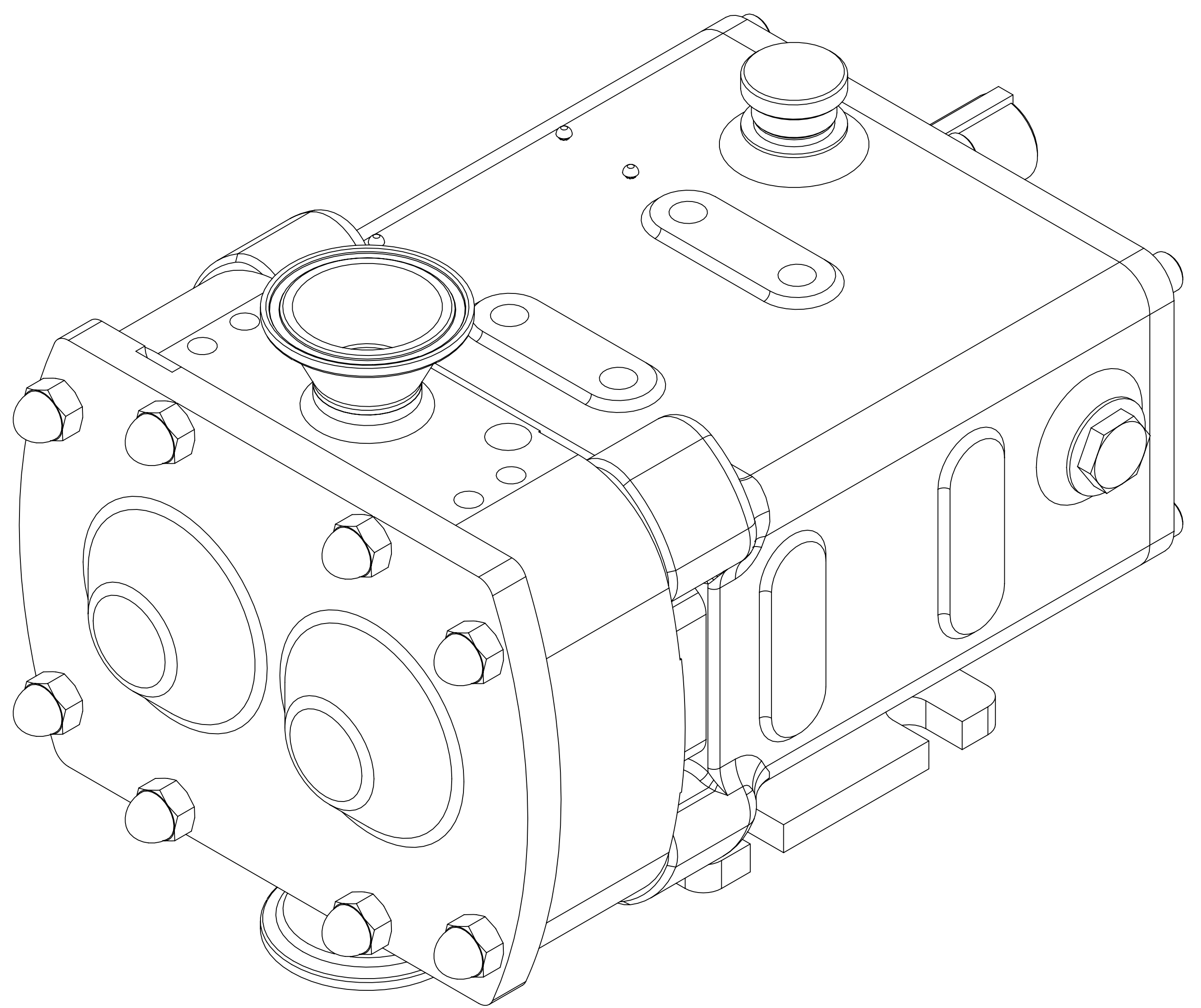


**GENERAL ARRANGEMENT DETAILS**

**PUMP INFORMATION**

PUMP MODEL	REVOLUTION - TWIN WING R0150X/21
INLET CONNECTION	1.5" Tri-Clamp
OUTLET CONNECTION	1.5" Tri-Clamp
SPECIAL FEATURES	NONE

THIS IS NOT A CERTIFIED DRAWING, USE FOR GENERAL INSTALLATION ONLY



ISSUED	A	08/02/2019
AMENDMENT	ISSUE	DATE

**wright flow**  
TECHNOLOGIES  
HIGHFIELD INDUSTRIAL ESTATE,  
EASTBOURNE,  
EAST SUSSEX, BN23 6PT  
TEL: (+44) 1323 509211

**COPYRIGHT:**  
THIS DRAWING IS THE SOLE  
PROPERTY OF  
**WRIGHT FLOW TECHNOLOGIES LTD.**  
IT MUST NOT BE COPIED OR USED  
IN PART OR FULL WITHOUT PRIOR  
WRITTEN CONSENT.

UNLESS OTHERWISE STATED:  
ALL DIMENSIONS ± 2.50  
ANGLES ± 2.0°  
DO NOT SCALE THIS DRAWING  
REMOVE BURRS AND SHARP EDGES  
DIMENSIONS IN MILLIMETRES  
**IF IN DOUBT ASK**

PROJECTION	DRAWN	CHECKED
	DSB	IPJB

TITLE:	GENERAL ARRANGEMENT
DRG. NO:	<b>GA4105</b>