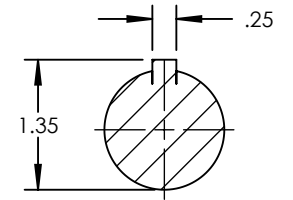
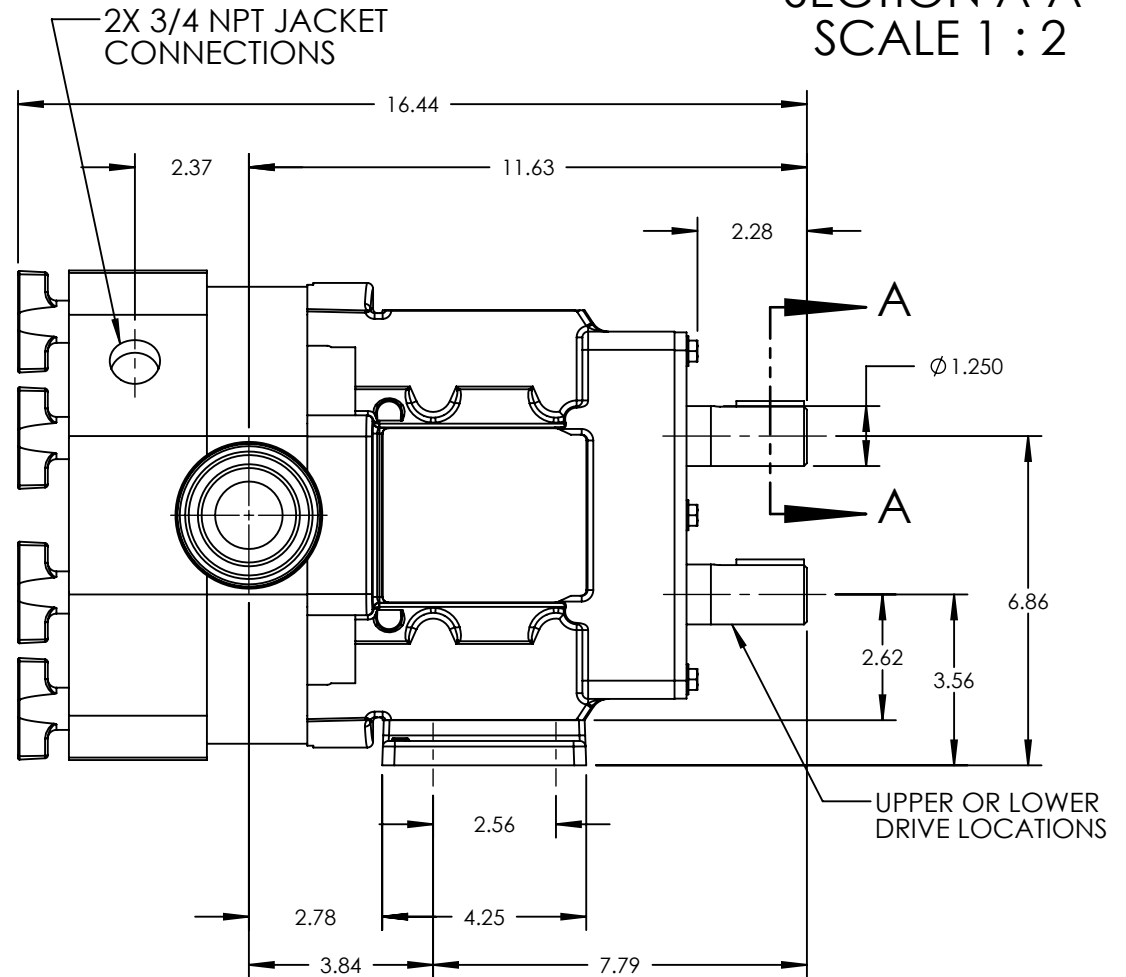
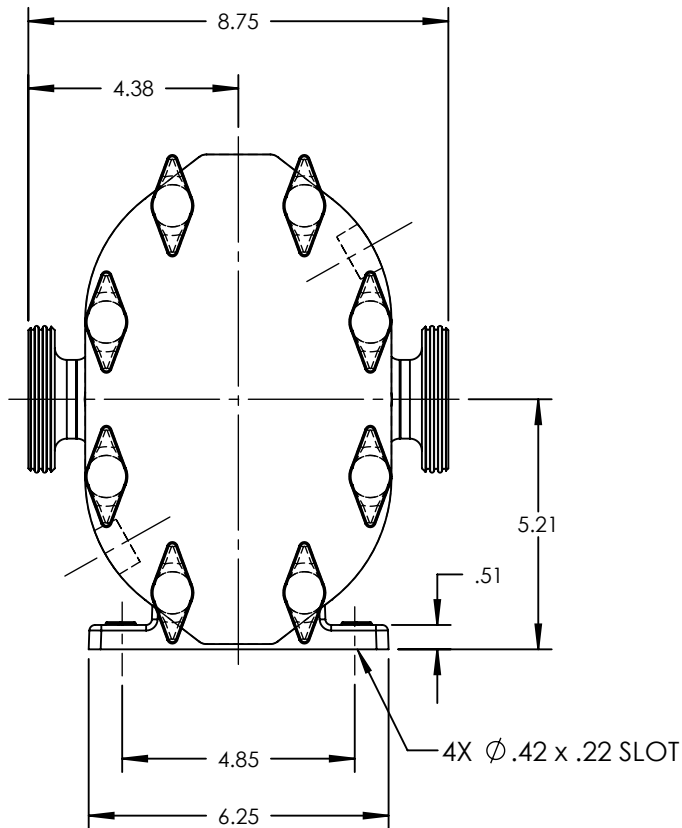


PUMP MODEL	TRA10-0300
ORIENTATION	HORIZONTAL
COVER	JACKETED
INLET	2.0" DIN 11851
DISCHARGE	2.0" DIN 11851
SPECIALS	NONE



SECTION A-A
SCALE 1 : 2



NOTES:

- THIS IS NOT A CERTIFIED DRAWING. USE FOR GENERAL INSTALLATION ONLY.

STATE	Released	02/14/2019	DIMENSIONS ARE IN INCHES
DRAWN	jgerbig	2/14/2019	
CHECKED	JAG	02/14/2019	
PROJECT:			WAS:
WAS:			



THIS DRAWING IS THE PROPERTY OF WRIGHTFLOW TECHNOLOGIES AND IS PROPRIETARY IN GENERAL AND DETAIL. IT SHALL NOT BE COPIED OR ITS CONTENTS REVEALED TO OUTSIDE PARTIES WITHOUT THE WRITTEN CONSENT OF WRIGHTFLOW TECHNOLOGIES

3D

DWG. NO. TRA10-0300-039
SHEET 1 OF 2

REV. A.0
02/14/2019

