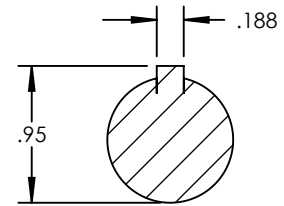
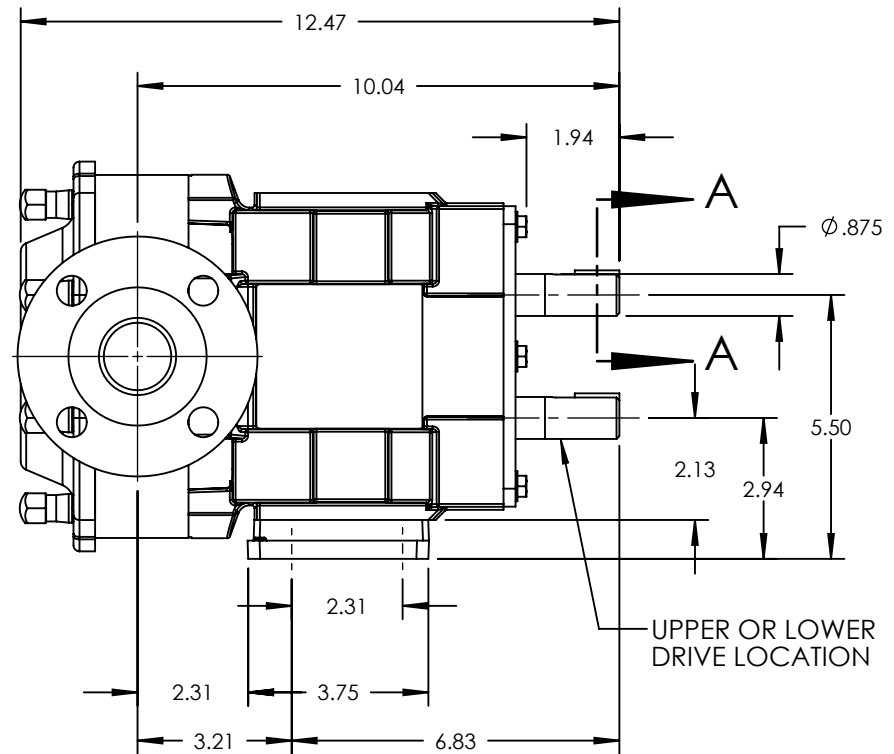
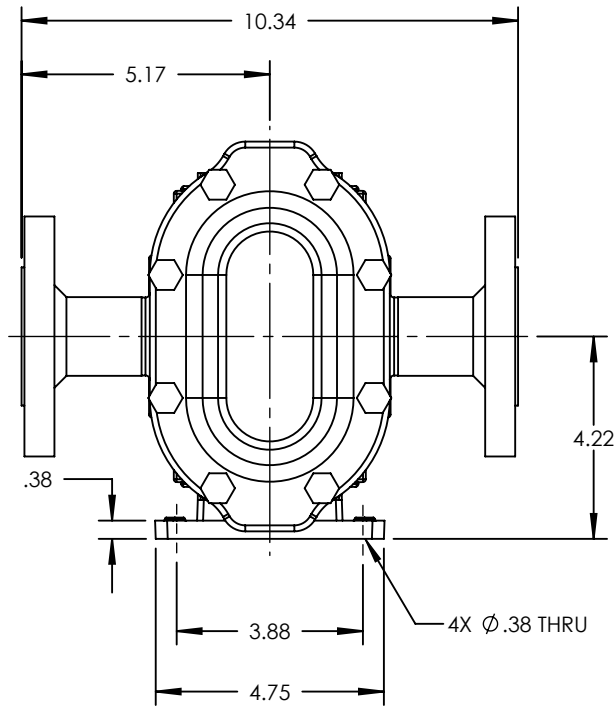


PUMP MODEL	TRA20-0180
ORIENTATION	HORIZONTAL
COVER TYPE	STANDARD
SUCTION	1.5" ANSI CLASS 150 RAISED FACE FLANGE
DISCHARGE	1.5" ANSI CLASS 150 RAISED FACE FLANGE
SPECIALS	NONE



SECTION A-A
SCALE 3 : 4



NOTES:

1. THIS IS NOT A CERTIFIED DRAWING. USE FOR GENERAL INSTALLATION ONLY.

STATE	Released	12/12/2013	DIMENSIONS ARE IN INCHES		<small>Wrightflow Technologies, A Unit of IDEX Corporation Cedar Falls, IA 50613 U.S.A. Eastborne, East Sussex, BN23 6PT UK</small>	<small>THIS DRAWING IS THE PROPERTY OF WRIGHTFLOW TECHNOLOGIES AND IS PROPRIETARY IN GENERAL AND DETAIL. IT SHALL NOT BE COPIED OR ITS CONTENTS REVEALED TO OUTSIDE PARTIES WITHOUT THE WRITTEN CONSENT OF WRIGHTFLOW TECHNOLOGIES</small>	3D	DWG. NO.	SHEET 1 OF 2	REV. A.0
DRAWN	cneff	12/11/2013						PROJECT:	TRA20-0180-016	12/12/2013
CHECKED	MPS	12/11/2013	WAS:							

