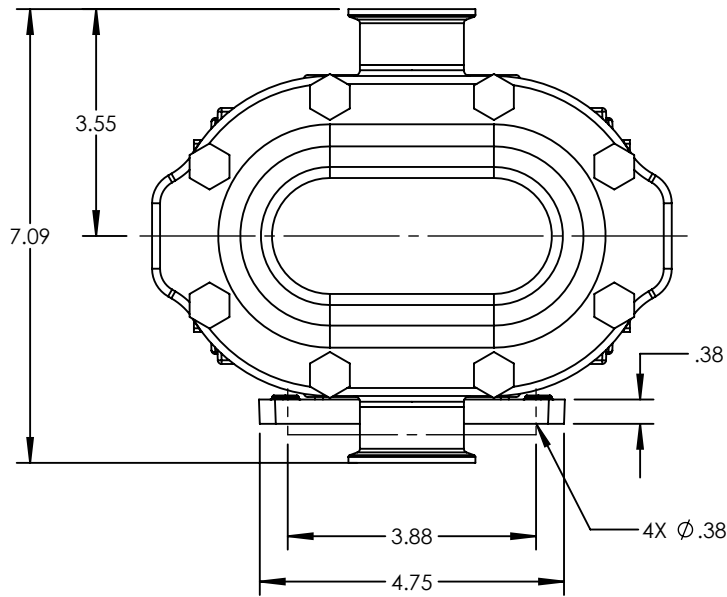
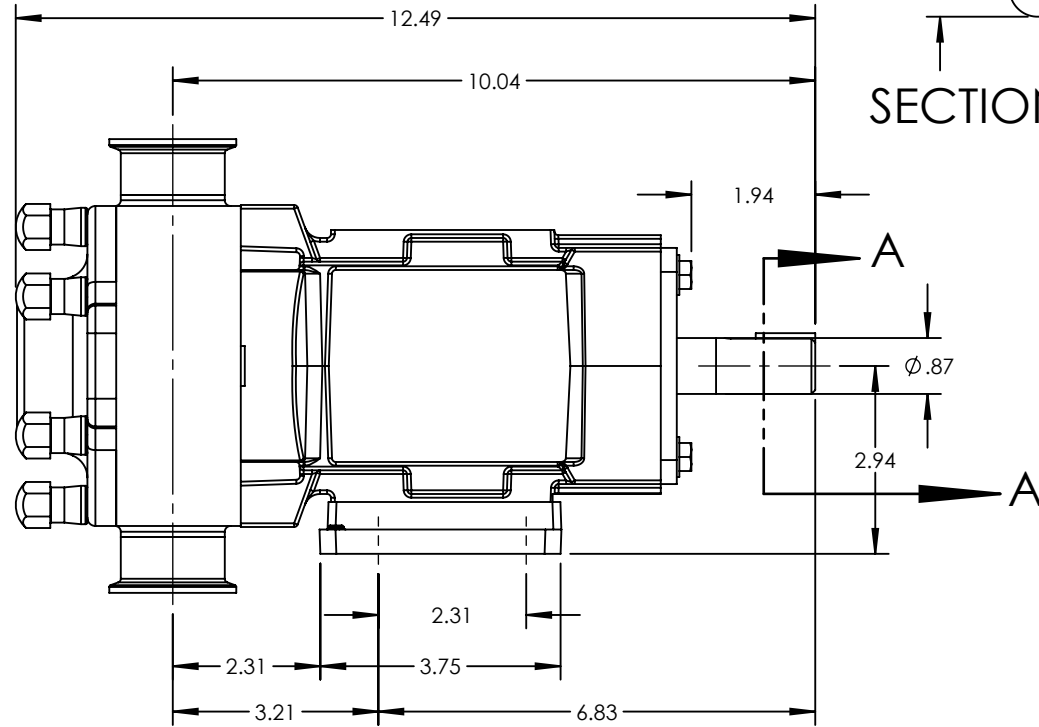
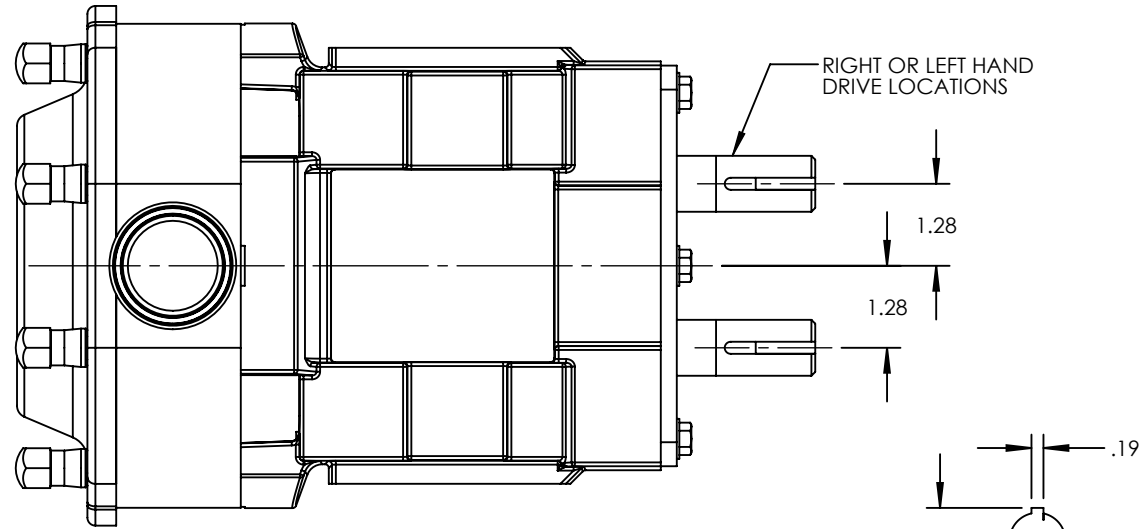


PUMP MODEL	TRA20-0180
ORIENTATION	VERTICAL
COVER	STANDARD
INLET	1.5" TRI-CLAMP
DISCHARGE	1.5" TRI-CLAMP
SPECIALS	NONE



NOTES:  
 1. THIS IS NOT A CERTIFIED DRAWING. USE FOR GENERAL INSTALLATION ONLY.

STATE	Released	06/22/2022	DIMENSIONS ARE IN INCHES		VIKING PUMP, INC. A Unit of IDEX Corporation Cedar Falls, IA 50613 U.S.A. VIKINGPUMP.COM	THIS DRAWING IS THE PROPERTY OF VIKING PUMP, INC. AND IS PROPRIETARY IN GENERAL AND DETAIL. IT SHALL NOT BE COPIED OR ITS CONTENTS REVEALED TO OUTSIDE PARTIES WITHOUT THE WRITTEN CONSENT OF VIKING PUMP, INC.	DWG. NO.	SHEET 1 OF 1	REV. A.1		
DRAWN	cneff	12/13/2013					PROJECT:	3D	TRA20-0180-017		
CHECKED	CJM	05/19/2022					WAS:				